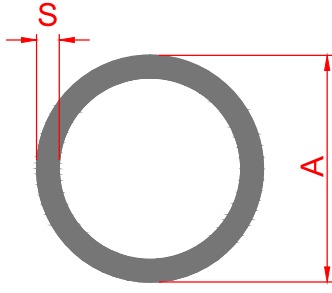


İÇİNDEKİLER

| | <u>SAYFA NO</u> |
|---|-----------------|
| Standart Profiller | |
| * Boru Profilleri | 01 - 04 |
| * Kutu Profilleri | 05 - 09 |
| * T Profilleri | 10 |
| * Köşebent Profilleri | 11 - 13 |
| * U Profilleri | 14 - 16 |
| * Dolu Çubuk Profilleri | 17 - 18 |
| * Dolu Kutu Profilleri | 19 |
| * Lama Profilleri | 20 - 23 |
| Kapı ve Pencere / Sürme / Giydirme Cephe Sistemleri | |
| * Aldoks Serisi | 24 - 28 |
| * C-60 Serisi | 29 - 31 |
| * Sürme Serileri | 32 - 37 |
| * Giydirme Cephe Sistemleri | 38 - 44 |
| * Güneş Kırıcılar | 45 - 49 |
| Kompozit Panel ve Seramik Cephe Profilleri | 50 - 58 |
| Seramik ve Taban Profilleri | 59 - 60 |
| Süpürgelik ve Kablo Kanalı Profilleri | 61 - 63 |
| Polikarbon Profilleri | 64 |
| Panjur_Sineklik_Havalandırma Profilleri | 65 - 68 |
| Küpeşte Profilleri | 69 - 74 |
| * Cam Küpeşte Profilleri | 75 - 79 |
| * Korkuluk Profilleri | 80 - 81 |
| Cam Balkon Profilleri | 82 - 85 |
| Menteşe Profilleri | 86 |
| Duşakabin Profilleri | 87 - 90 |
| Ofis Bölme Profilleri | 91 |
| Stor Perde Profilleri | 92 |
| Soğutucu Profilleri | 93 |
| Vitrin ve Stand Profilleri | 94 - 95 |
| Reklam Profilleri | 96 - 101 |
| Kapı Kasası Profilleri | 102 |
| Denizlik Profilleri | 103 |
| Karoser Profilleri | 104 - 111 |
| Mobilya ve Dekorasyon Profilleri | 112 - 162 |

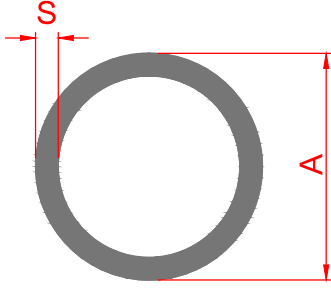
BORU PROFİLLER



| PROFİL NO | A | S | GRAMAJ |
|-----------|---------|------|------------|
| 1451 | Ø 11 | 3.5 | 0.223 Kg/m |
| 3871 | Ø 12 | 2 | 0.170 Kg/m |
| 1450 | Ø 12.5 | 1.2 | 0.115 Kg/m |
| 1285 | Ø 12.7 | 1.2 | 0.117 Kg/m |
| 2875 | Ø 13 | 1.2 | 0.120 Kg/m |
| 1452 | Ø 13 | 3 | 0.254 Kg/m |
| 1453 | Ø 13.4 | 1.2 | 0.124 Kg/m |
| 1454 | Ø 14.05 | 1.5 | 0.160 Kg/m |
| 4908 | Ø 14.9 | 1.48 | 0.168 Kg/m |
| 1236 | Ø 15 | 1.43 | 0.164 Kg/m |
| 4713 | Ø 15.5 | 1.75 | 0.204 Kg/m |
| 1138 | Ø 16 | 1 | 0.127 Kg/m |
| 2305 | Ø 16 | 1.3 | 0.162 Kg/m |
| 1078 | Ø 16 | 1.5 | 0.184 Kg/m |
| 1456 | Ø 16 | 1.8 | 0.217 Kg/m |
| 1129 | Ø 16 | 1.93 | 0.230 Kg/m |
| 1457 | Ø 16 | 2 | 0.238 Kg/m |
| 1458 | Ø 16 | 2.5 | 0.286 Kg/m |
| 2278 | Ø 16 | 3.5 | 0.371 Kg/m |
| 1459 | Ø 16 | 5.5 | 0.490 Kg/m |
| 2177 | Ø 17 | 1 | 0.136 Kg/m |
| 1079 | Ø 19 | 1 | 0.153 Kg/m |
| 1460 | Ø 19 | 1.2 | 0.181 Kg/m |
| 1139 | Ø 20 | 1 | 0.161 Kg/m |

* = TEKNİK RESİM İSTENSİN

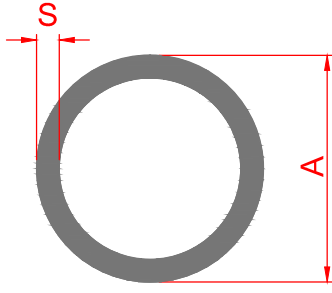
BORU PROFİLLER



| PROFİL NO | A | S | GRAMAJ |
|-----------|--------|------|------------|
| 2566 | Ø 20 | 1.5 | 0.235 Kg/m |
| 2178 | Ø 21 | 1 | 0.170 Kg/m |
| 3633 | Ø 21.2 | 4.1 | 0.595 Kg/m |
| 1288 | Ø 21.8 | 7.4 | 0.904 Kg/m |
| 1461 | Ø 22 | 1 | 0.178 Kg/m |
| 1462 | Ø 22.5 | 1.2 | 0.216 Kg/m |
| 1415 | Ø 22.9 | 0.9 | 0.168 Kg/m |
| 1463 | Ø 24 | 1.2 | 0.232 Kg/m |
| 4995 | Ø 24 | 3 | 0.534 Kg/m |
| 1464 | Ø 24 | 8.5 | 1.118 Kg/m |
| 1387 | Ø 24.8 | 8.9 | 1.200 Kg/m |
| 2179 | Ø 25 | 1 | 0.204 Kg/m |
| 1465 | Ø 25 | 1.2 | 0.242 Kg/m |
| 1466 | Ø 25 | 2 | 0.390 Kg/m |
| 4666 | Ø 25 | 7.5 | 1.113 Kg/m |
| 1467 | Ø 25 | 9.1 | 1.225 Kg/m |
| 4698 | Ø 26 | 1.5 | 0.312 Kg/m |
| 2576 | Ø 26.3 | 1.5 | 0.316 Kg/m |
| 1468 | Ø 27.5 | 2.5 | 0.529 Kg/m |
| 1416 | Ø 27.9 | 0.9 | 0.206 Kg/m |
| 3634 | Ø 27.9 | 5.45 | 1.038 Kg/m |
| 2443 | Ø 28 | 7.5 | 1.304 Kg/m |
| 1469 | Ø 30 | 2 | 0.475 Kg/m |
| 1470 | Ø 30 | 2.5 | 0.583 Kg/m |

* = TEKNİK RESİM İSTENSİN

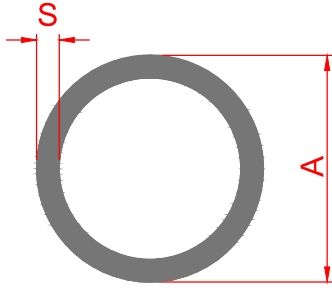
BORU PROFİLLER



| PROFİL NO | A | S | GRAMAJ |
|-----------|--------|------|------------|
| 4270 | Ø 30 | 4 | 0.882 Kg/m |
| 1226 | Ø 30 | 6.75 | 1.331 Kg/m |
| 5237 | Ø 35 | 1.5 | 0.426 Kg/m |
| 1017 | Ø 35 | 2 | 0.560 Kg/m |
| 1471 | Ø 38 | 2.95 | 0.877 Kg/m |
| 1472 | Ø 40 | 2 | 0.645 Kg/m |
| 2067 | Ø 40 | 2.5 | 0.795 Kg/m |
| 1473 | Ø 40.2 | 15.1 | 3.215 Kg/m |
| 1474 | Ø 43.5 | 3 | 1.030 Kg/m |
| 4607 | Ø 48.3 | 2.5 | 0.971 Kg/m |
| 4592 | Ø 48.3 | 3.6 | 1.365 Kg/m |
| 3111 | Ø 48.3 | 4 | 1.503 Kg/m |
| 1181 | Ø 50 | 1.5 | 0.617 Kg/m |
| 2232 | Ø 50 | 1.6 | 0.657 Kg/m |
| 1336 | Ø 50 | 1.8 | 0.736 Kg/m |
| 1476 | Ø 50 | 2 | 0.814 Kg/m |
| 1477 | Ø 50 | 2.5 | 1.007 Kg/m |
| 2852 | Ø 50.1 | 1.55 | 0.638 Kg/m |
| 1478 | Ø 51 | 3 | 1.221 Kg/m |
| 1479 | Ø 54 | 1.8 | 0.797 Kg/m |
| 2442 | Ø 56 | 2 | 0.916 Kg/m |
| 1480 | Ø 60 | 0.75 | 0.377 Kg/m |
| 1481 | Ø 60 | 1 | 0.501 Kg/m |
| 1482 | Ø 60 | 1.3 | 0.647 Kg/m |

* = TEKNİK RESİM İSTENSİN

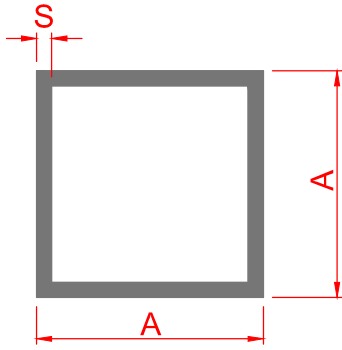
BORU PROFİLLER



| PROFİL NO | A | S | GRAMAJ |
|-----------|---------|-------|-------------|
| 1483 | Ø 60 | 1.5 | 0.744 Kg/m |
| * 3570 | Ø 60 | 4 | 1.750 Kg/m |
| 2041 | Ø 66 | 1.5 | 0.821 Kg/m |
| 4716 | Ø 74 | 21.75 | 9.640 Kg/m |
| 2042 | Ø 75 | 2 | 1.238 Kg/m |
| 3396 | Ø 75 | 2.5 | 1.537 Kg/m |
| 1484 | Ø 76 | 1.3 | 0.824 Kg/m |
| 3684 | Ø 76 | 1.5 | 0.948 Kg/m |
| 4715 | Ø 81 | 21 | 10.688 Kg/m |
| 3397 | Ø 81.5 | 3 | 1.998 Kg/m |
| 2051 | Ø 86 | 2 | 1.425 Kg/m |
| 3831 | Ø 86 | 8 | 5.293 Kg/m |
| * 4407 | Ø 152.7 | 2.85 | 3.938 Kg/m |
| 4466 | Ø 160.5 | 4.25 | 5.632 Kg/m |
| 4465 | Ø 163 | 6 | 7.990 Kg/m |
| 3886 | Ø 203.2 | 4.8 | 8.078 Kg/m |
| 5557 | Ø 210 | 1.8 | 3.179 Kg/m |

* = TEKNİK RESİM İSTENSİN

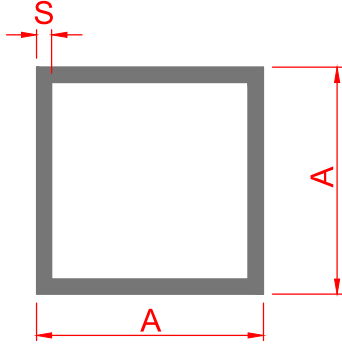
KUTU PROFİLLER



| PROFİL NO | A | S | GRAMAJ |
|-----------|-------|-----|------------|
| * 1485 | 12.95 | 1.3 | 0.167 Kg/m |
| 2474 | 14 | 2 | 0.259 Kg/m |
| 5419 | 16 | 1.1 | 0.177 Kg/m |
| 2262 | 16 | 2 | 0.302 Kg/m |
| 4554 | 20 | 1 | 0.205 Kg/m |
| * 2273 | 25 | 1.2 | 0.306 Kg/m |
| 1486 | 25 | 1.5 | 0.380 Kg/m |
| 5201 | 25 | 2 | 0.497 Kg/m |
| 3119 | 27.5 | 0.9 | 0.259 Kg/m |
| 4923 | 30 | 2 | 0.605 Kg/m |
| * 1487 | 30 | 2 | 0.567 Kg/m |
| * 1488 | 30 | 3 | 0.840 Kg/m |
| 5417 | 30 | 3 | 0.877 Kg/m |
| 1196 | 40 | 1 | 0.420 Kg/m |
| 1489 | 40 | 1.2 | 0.462 Kg/m |
| 2170 | 40 | 1.5 | 0.624 Kg/m |
| 1172 | 40 | 2 | 0.820 Kg/m |
| 3849 | 40 | 3 | 1.200 Kg/m |
| 1946 | 50 | 2 | 1.037 Kg/m |
| 3850 | 60 | 3 | 1.847 Kg/m |
| * 3543 | 80 | 1.4 | 1.097 Kg/m |
| 5688 | 100 | 2 | 2.117 Kg/m |
| * 2499 | 100 | 2 | 2.267 Kg/m |
| 4877 | 100 | 4 | 4.147 Kg/m |

* = TEKNİK RESİM İSTENSİN

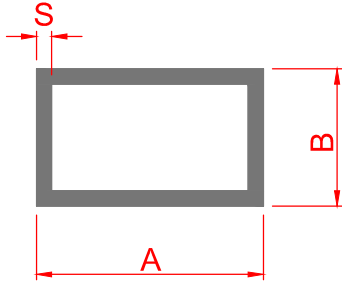
KUTU PROFİLLER



| PROFİL NO | A | S | GRAMAJ |
|-----------|-----|-----|------------|
| * 3549 | 110 | 2.5 | 2.858 Kg/m |
| * 4599 | 130 | 3 | 4.173 Kg/m |
| * 4472 | 135 | 2.5 | 4.952 Kg/m |
| 5262 | 150 | 1.8 | 2.881 Kg/m |
| 3851 | 150 | 3 | 4.763 Kg/m |

* = TEKNİK RESİM İSTENSİN

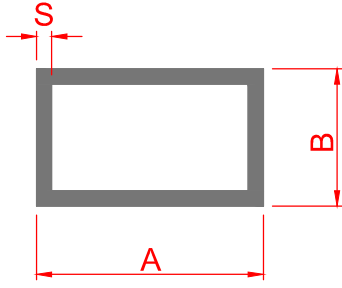
KUTU PROFİLLER



| PROFİL NO | A | B | S | GRAMAJ |
|-----------|------|------|------|------------|
| 2523 | 12 | 8 | 1.5 | 0.137 Kg/m |
| 2522 | 16 | 8 | 1.5 | 0.170 Kg/m |
| * 2270 | 17.5 | 9.1 | 1.25 | 0.166 Kg/m |
| * 2308 | 25 | 10 | 1.5 | 0.251 Kg/m |
| 4342 | 25 | 15 | 0.9 | 0.186 Kg/m |
| 5200 | 26.5 | 24 | 2 | 0.502 Kg/m |
| 1018 | 30 | 15 | 1 | 0.232 Kg/m |
| 1169 | 30 | 15 | 1.3 | 0.298 Kg/m |
| 1491 | 30 | 19 | 1.5 | 0.370 Kg/m |
| 1492 | 34 | 16 | 1.5 | 0.376 Kg/m |
| * 2080 | 36.5 | 21.5 | 3 | 0.808 Kg/m |
| 5210 | 40 | 10 | 1.2 | 0.308 Kg/m |
| * 4555 | 40 | 20 | 1 | 0.306 Kg/m |
| 1170 | 40 | 20 | 1 | 0.313 Kg/m |
| 1493 | 40 | 20 | 1.1 | 0.343 Kg/m |
| * 1227 | 40 | 20 | 1.15 | 0.348 Kg/m |
| 1080 | 40 | 20 | 1.2 | 0.373 Kg/m |
| 4922 | 40 | 20 | 2 | 0.605 Kg/m |
| * 3110 | 40 | 20 | 2 | 0.589 Kg/m |
| * 3568 | 40 | 20 | 2.5 | 0.710 Kg/m |
| * 1494 | 40 | 25 | 4.9 | 1.458 Kg/m |
| 4921 | 40 | 30 | 2 | 0.713 Kg/m |
| 1398 | 50 | 14.2 | 1.5 | 0.496 Kg/m |
| 4591 | 50 | 20 | 1.6 | 0.577 Kg/m |

* = TEKNİK RESİM İSTENSİN

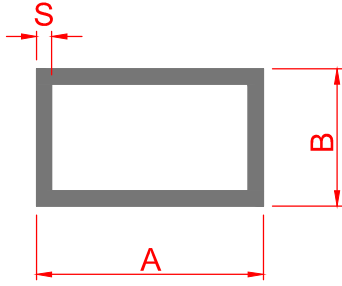
KUTU PROFİLLER



| PROFİL NO | A | B | S | GRAMAJ |
|-----------|------|------|------|------------|
| 4991 | 50 | 20 | 2 | 0.712 Kg/m |
| 1947 | 50 | 30 | 2 | 0.821 Kg/m |
| 1171 | 50 | 40 | 1.1 | 0.522 Kg/m |
| * 4260 | 50 | 40 | 2 | 0.920 Kg/m |
| 4359 | 53.5 | 15.5 | 2 | 0.702 Kg/m |
| * 4275 | 60 | 9.4 | 1.2 | 0.432 Kg/m |
| 4640 | 60 | 30 | 1.1 | 0.521 Kg/m |
| 4556 | 60 | 30 | 2 | 0.929 Kg/m |
| 1496 | 60 | 40 | 1.6 | 0.836 Kg/m |
| 4920 | 60 | 40 | 2 | 1.037 Kg/m |
| 1497 | 65 | 25 | 1 | 0.475 Kg/m |
| * 1404 | 68 | 33 | 3.75 | 1.813 Kg/m |
| 4563 | 70 | 20 | 1.1 | 0.521 Kg/m |
| 1427 | 70 | 30 | 0.8 | 0.425 Kg/m |
| 1499 | 75 | 25 | 1 | 0.529 Kg/m |
| 1173 | 75 | 32 | 1.2 | 0.678 Kg/m |
| 1500 | 80 | 40 | 1.25 | 0.794 Kg/m |
| 5442 | 80 | 40 | 1.8 | 1.131 Kg/m |
| 5685 | 80 | 40 | 2 | 1.253 Kg/m |
| 5686 | 80 | 40 | 4 | 2.419 Kg/m |
| * 1405 | 86.5 | 36.5 | 3 | 1.801 Kg/m |
| * 4539 | 94 | 90 | 2.5 | 2.595 Kg/m |
| 1174 | 95 | 50 | 1.5 | 1.150 Kg/m |
| 3572 | 100 | 50 | 1.2 | 0.956 Kg/m |

* = TEKNİK RESİM İSTENSİN

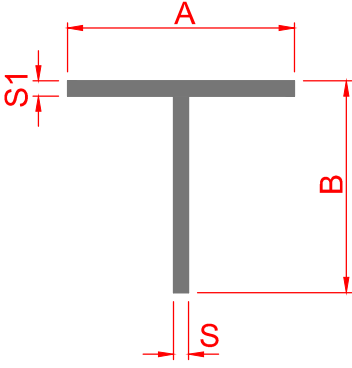
KUTU PROFİLLER



| PROFİL NO | A | B | S | GRAMAJ |
|-----------|-------|------|---------|-------------|
| 1944 | 100 | 50 | 2 | 1.577 Kg/m |
| 1501 | 109 | 39 | 2 | 1.555 Kg/m |
| 1502 | 111.3 | 41.3 | 2 | 1.605 Kg/m |
| 5687 | 120 | 40 | 2.5 | 2.093 Kg/m |
| 4408 | 124.5 | 74 | 3 | 3.119 Kg/m |
| * 4473 | 135 | 100 | 2.5 | 4.478 Kg/m |
| 4138 | 150 | 15 | 1.8 | 1.569 Kg/m |
| * 5209 | 150 | 25 | 1.5 | 1.676 Kg/m |
| 5122 | 150 | 50 | 2 | 2.117 Kg/m |
| * 4540 | 150 | 60 | 3 | 3.284 Kg/m |
| 4994 | 150 | 80 | 3 | 3.629 Kg/m |
| 4139 | 150 | 100 | 2 | 2.657 Kg/m |
| 4140 | 200 | 50 | 2 | 2.657 Kg/m |
| * 3577 | 200 | 60 | 2.4-6 | 4.803 Kg/m |
| 5189 | 200 | 100 | 2 | 3.197 Kg/m |
| * 5704 | 200 | 100 | 2 | 3.663 Kg/m |
| * 2859 | 200 | 150 | 3 | 6.736 Kg/m |
| * 3533 | 240 | 125 | 5.5 - 8 | 12.021 Kg/m |
| 4688 | 250 | 80 | 2.5 | 4.387 Kg/m |
| 2984 | 250 | 100 | 2.5 | 4.658 Kg/m |
| * 4541 | 260 | 60 | 3 | 5.431 Kg/m |
| 3813 | 300 | 70 | 3 | 5.876 Kg/m |

* = TEKNİK RESİM İSTENSİN

T PROFİLLER

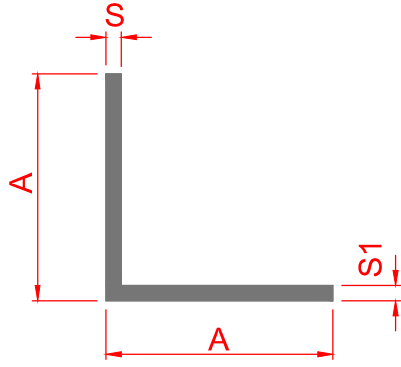


| PROFİL NO | A | B | S | S1 | GRAMAJ |
|-----------|----|----|-----|-----|------------|
| 1503 | 15 | 15 | 1.4 | 1.4 | 0.108 Kg/m |
| 1504 | 20 | 20 | 1.4 | 1.4 | 0.146 Kg/m |
| 1505 | 25 | 25 | 1.2 | 1.2 | 0.159 Kg/m |
| 1506 | 25 | 25 | 1.4 | 1.4 | 0.184 Kg/m |
| 1507 | 30 | 30 | 1.4 | 1.4 | 0.221 Kg/m |

| | | | | | |
|------|----|----|-----|-----|------------|
| 1508 | 13 | 35 | 1.5 | 1.8 | 0.197 Kg/m |
| 1509 | 20 | 13 | 2 | 2 | 0.162 Kg/m |
| 1510 | 20 | 40 | 1.4 | 1.4 | 0.221 Kg/m |

* = TEKNİK RESİM İSTENSİN

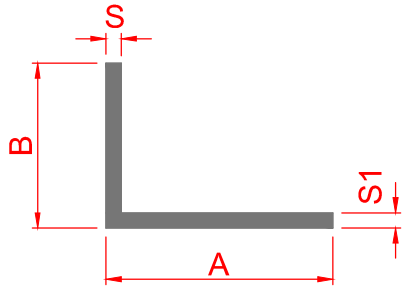
KÖŞEBENT PROFİLLER



| PROFİL NO | A | S | S1 | GRAMAJ |
|-----------|-------|------|------|------------|
| 1511 | 12 | 1.2 | 1.2 | 0.074 Kg/m |
| 1512 | 15 | 1.2 | 1.2 | 0.093 Kg/m |
| 1513 | 15 | 1.5 | 1.5 | 0.116 Kg/m |
| 1175 | 20 | 1.2 | 1.2 | 0.126 Kg/m |
| 1514 | 20 | 1.4 | 1.4 | 0.146 Kg/m |
| 1321 | 20 | 2 | 2 | 0.205 Kg/m |
| 2620 | 23.2 | 1.2 | 1.2 | 0.146 Kg/m |
| 1096 | 25 | 1.2 | 1.2 | 0.158 Kg/m |
| 1515 | 25 | 1.4 | 1.4 | 0.184 Kg/m |
| 1097 | 30 | 1.2 | 1.2 | 0.191 Kg/m |
| 1516 | 30 | 1.3 | 1.3 | 0.205 Kg/m |
| 1517 | 30 | 1.5 | 1.5 | 0.238 Kg/m |
| 1518 | 30 | 2 | 2 | 0.313 Kg/m |
| 1519 | 30 | 3 | 3 | 0.462 Kg/m |
| 1341 | 35 | 2 | 2 | 0.367 Kg/m |
| 1177 | 40 | 1.2 | 1.2 | 0.255 Kg/m |
| 1520 | 40 | 1.4 | 1.4 | 0.297 Kg/m |
| 4730 | 40 | 1.85 | 1.85 | 0.390 Kg/m |
| 5684 | 40 | 2 | 2 | 0.421 Kg/m |
| 2048 | 40 | 3 | 3 | 0.624 Kg/m |
| 1322 | 40 | 4 | 4 | 0.821 Kg/m |
| 1521 | 40.45 | 4.4 | 4.4 | 0.906 Kg/m |
| 1342 | 50 | 2 | 2 | 0.529 Kg/m |
| 2137 | 50 | 3 | 3 | 0.786 Kg/m |

* = TEKNİK RESİM İSTENSİN

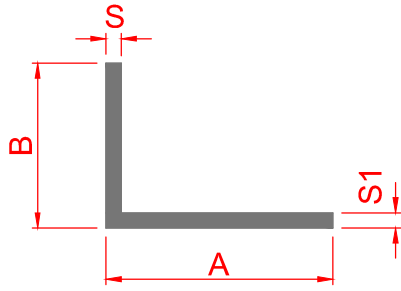
KÖŞEBENT PROFİLLER



| PROFİL NO | A | B | S | S1 | GRAMAJ |
|-----------|----|------|------|------|------------|
| 1522 | 22 | 14 | 2 | 2.7 | 0.222 Kg/m |
| 1523 | 30 | 15 | 1.5 | 1.5 | 0.176 Kg/m |
| 1282 | 30 | 15 | 3 | 3 | 0.340 Kg/m |
| 2352 | 30 | 20 | 1.2 | 1.2 | 0.158 Kg/m |
| 4925 | 30 | 20 | 1.5 | 1.5 | 0.196 Kg/m |
| 1524 | 30 | 20 | 1.8 | 1.8 | 0.234 Kg/m |
| * 2931 | 30 | 24 | 2 | 2 | 0.277 Kg/m |
| 1957 | 35 | 21.5 | 2 | 2 | 0.294 Kg/m |
| 1525 | 40 | 15 | 1.2 | 1.2 | 0.174 Kg/m |
| 1176 | 40 | 20 | 1.2 | 1.2 | 0.191 Kg/m |
| 1526 | 40 | 20 | 1.4 | 1.4 | 0.222 Kg/m |
| * 5252 | 40 | 20 | 1.8 | 1.8 | 0.288 Kg/m |
| 1338 | 40 | 20 | 2 | 2 | 0.313 Kg/m |
| 1262 | 40 | 30 | 1.2 | 1.2 | 0.223 Kg/m |
| 5683 | 40 | 30 | 2 | 2 | 0.367 Kg/m |
| 4924 | 40 | 30 | 3 | 3 | 0.543 Kg/m |
| 3372 | 40 | 30 | 5 | 2 | 0.594 Kg/m |
| 1855 | 50 | 13 | 3 | 3 | 0.486 Kg/m |
| 3118 | 50 | 20 | 1.05 | 1.05 | 0.195 Kg/m |
| 3367 | 50 | 30 | 5 | 2 | 0.648 Kg/m |
| 5255 | 50 | 30 | 5 | 5 | 1.013 Kg/m |
| 3580 | 50 | 40 | 1.5 | 1.5 | 0.358 Kg/m |
| 1178 | 60 | 20 | 1.5 | 1.5 | 0.318 Kg/m |
| 3123 | 60 | 20 | 2 | 2 | 0.421 Kg/m |

* = TEKNİK RESİM İSTENSİN

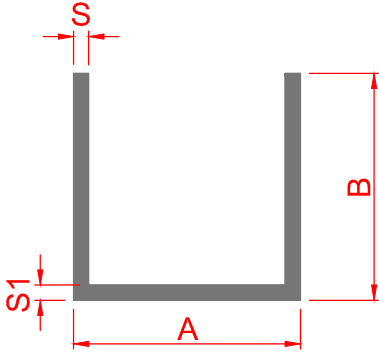
KÖŞEBENT PROFİLLER



| PROFİL NO | A | B | S | S1 | GRAMAJ |
|-----------|-----|----|-----|-----|------------|
| 1529 | 60 | 40 | 2 | 2 | 0.529 Kg/m |
| 2535 | 60 | 40 | 5 | 5 | 1.283 Kg/m |
| 1530 | 70 | 20 | 2 | 2 | 0.475 Kg/m |
| 1447 | 70 | 30 | 2.9 | 2.9 | 0.760 Kg/m |
| 2985 | 70 | 50 | 3.3 | 3.3 | 1.040 Kg/m |
| 4918 | 70 | 50 | 5 | 5 | 1.552 Kg/m |
| 3117 | 80 | 20 | 1.2 | 1.2 | 0.320 Kg/m |
| 4919 | 80 | 50 | 4 | 4 | 1.361 Kg/m |
| 2986 | 90 | 53 | 3 | 3 | 1.134 Kg/m |
| 2969 | 96 | 80 | 10 | 10 | 4.481 Kg/m |
| 2353 | 100 | 20 | 1.5 | 1.5 | 0.480 Kg/m |
| 2597 | 100 | 50 | 4 | 4 | 1.577 Kg/m |
| 3116 | 120 | 20 | 1.5 | 1.5 | 0.561 Kg/m |
| 3149 | 120 | 50 | 4 | 4 | 1.793 Kg/m |
| 2987 | 120 | 53 | 3 | 3 | 1.382 Kg/m |
| 3115 | 140 | 20 | 2 | 2 | 0.855 Kg/m |
| 2988 | 160 | 50 | 4 | 4 | 2.225 Kg/m |

* = TEKNİK RESİM İSTENSİN

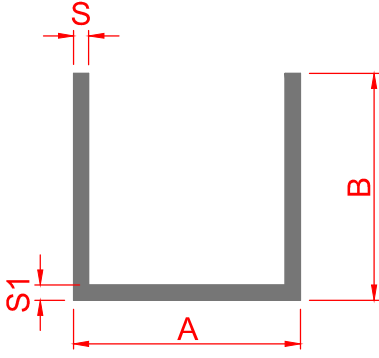
U PROFİLLER



| PROFİL NO | A | B | S | S1 | GRAMAJ |
|-----------|------|------|------|------|------------|
| * 4295 | 8 | 14 | 1 | 1 | 0.090 Kg/m |
| * 1531 | 10.5 | 9 | 1.75 | 1.75 | 0.118 Kg/m |
| 1532 | 10.9 | 9 | 1.9 | 2 | 0.131 Kg/m |
| * 1533 | 12 | 9 | 1.5 | 2 | 0.114 Kg/m |
| 1534 | 12.9 | 15 | 1 | 1 | 0.110 Kg/m |
| 1535 | 13 | 11.4 | 1.4 | 1.5 | 0.110 Kg/m |
| 1536 | 13.2 | 7 | 1.2 | 2 | 0.104 Kg/m |
| 2520 | 13.3 | 10 | 2.5 | 2.35 | 0.186 Kg/m |
| 1257 | 14 | 28 | 1.2 | 1.2 | 0.218 Kg/m |
| 1386 | 17.5 | 23 | 1.1 | 1.1 | 0.182 Kg/m |
| * 1538 | 18.2 | 14 | 0.9 | 0.9 | 0.106 Kg/m |
| 1539 | 19 | 20 | 1 | 1 | 0.153 Kg/m |
| 3120 | 20 | 20 | 2 | 2 | 0.302 Kg/m |
| 1540 | 20 | 25 | 1 | 1 | 0.184 Kg/m |
| 2209 | 20 | 25 | 5 | 5 | 0.810 Kg/m |
| 1541 | 20.2 | 9.9 | 1 | 1 | 0.101 Kg/m |
| 4385 | 20.4 | 8.5 | 1.2 | 1.2 | 0.112 Kg/m |
| 2440 | 20.5 | 18 | 1 | 1.1 | 0.152 Kg/m |
| * 1542 | 20.8 | 14 | 0.9 | 0.9 | 0.106 Kg/m |
| 1765 | 21.3 | 12 | 1.1 | 1.1 | 0.128 Kg/m |
| 1543 | 21.6 | 10 | 1.3 | 1.3 | 0.135 Kg/m |
| 1544 | 21.6 | 14 | 1.3 | 1.3 | 0.164 Kg/m |
| 1958 | 21.7 | 20.2 | 2 | 2 | 0.321 Kg/m |
| * 1848 | 21.8 | 11.9 | 1.3 | 1.3 | 0.150 Kg/m |

* = TEKNİK RESİM İSTENSİN

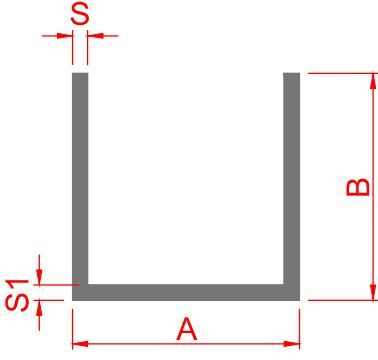
U PROFİLLER



| PROFİL NO | A | B | S | S1 | GRAMAJ |
|-----------|------|------|-----|-----|------------|
| * 5415 | 22.6 | 25.5 | 1.5 | 1.5 | 0.281 Kg/m |
| 3784 | 24.8 | 30 | 1 | 1 | 0.223 Kg/m |
| 2152 | 25 | 26.5 | 1.2 | 1.2 | 0.244 Kg/m |
| * 4395 | 25 | 35 | 1.2 | 1.2 | 0.296 Kg/m |
| 2936 | 25 | 50 | 2 | 2 | 0.653 Kg/m |
| * 1256 | 25.4 | 25.7 | 1.5 | 1.5 | 0.298 Kg/m |
| * 4313 | 27 | 20 | 2 | 2 | 0.327 Kg/m |
| * 4552 | 29.7 | 35 | 1.2 | 1.2 | 0.310 Kg/m |
| 1094 | 30 | 10 | 1 | 1 | 0.129 Kg/m |
| 1095 | 30 | 15 | 1 | 1 | 0.156 Kg/m |
| 3597 | 32 | 20 | 1.6 | 1.6 | 0.297 Kg/m |
| 1545 | 37 | 44.5 | 2 | 2 | 0.650 Kg/m |
| 1546 | 40 | 10 | 1.1 | 1.1 | 0.171 Kg/m |
| 1547 | 40 | 15 | 0.9 | 0.9 | 0.166 Kg/m |
| 3140 | 45 | 37 | 1.5 | 1.5 | 0.470 Kg/m |
| 1548 | 47 | 38 | 4 | 4 | 1.239 Kg/m |
| 5170 | 62.5 | 30 | 1.2 | 1.4 | 0.421 Kg/m |
| 5169 | 62.7 | 70 | 1.3 | 1.5 | 0.734 Kg/m |
| 1549 | 72 | 25 | 1.2 | 1.2 | 0.388 Kg/m |
| 1550 | 74.8 | 26 | 1.2 | 1.2 | 0.400 Kg/m |
| 5354 | 80 | 40 | 2 | 2 | 0.842 Kg/m |
| * 1551 | 85 | 20 | 2 | 2 | 0.650 Kg/m |
| 1552 | 86 | 40 | 2 | 2 | 0.875 Kg/m |
| 1553 | 100 | 70 | 6 | 6 | 3.453 Kg/m |

* = TEKNİK RESİM İSTENSİN

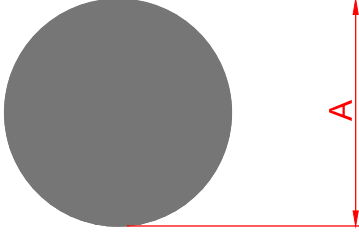
U PROFİLLER



| PROFİL NO | A | B | S | S1 | GRAMAJ |
|-----------|-------|----|-----|-----|------------|
| 1554 | 120 | 20 | 1.4 | 1.4 | 0.594 Kg/m |
| * 1555 | 122.8 | 11 | 1.4 | 1.4 | 0.533 Kg/m |

* = TEKNİK RESİM İSTENSİN

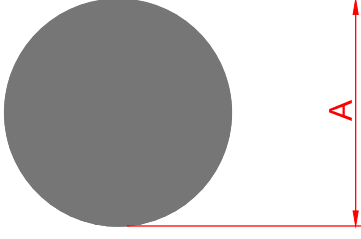
DOLU ÇUBUK PROFİLLER



| PROFİL NO | A | GRAMAJ |
|-----------|--------|-------------|
| 1556 | Ø 7.7 | 0.126 Kg/m |
| 1179 | Ø 12 | 0.306 Kg/m |
| 2705 | Ø 16 | 0.543 Kg/m |
| 2068 | Ø 18 | 0.687 Kg/m |
| 1557 | Ø 20 | 0.848 Kg/m |
| 1204 | Ø 21.8 | 1.008 Kg/m |
| 1286 | Ø 23.3 | 1.151 Kg/m |
| 1287 | Ø 24.8 | 1.304 Kg/m |
| 1558 | Ø 25 | 1.325 Kg/m |
| 1559 | Ø 27 | 1.546 Kg/m |
| 3616 | Ø 27.8 | 1.639 Kg/m |
| 3391 | Ø 29.8 | 1.883 Kg/m |
| 1560 | Ø 30 | 1.909 Kg/m |
| 3427 | Ø 32 | 2.172 Kg/m |
| 1561 | Ø 35 | 2.598 Kg/m |
| 4603 | Ø 36 | 2.748 Kg/m |
| 2777 | Ø 40 | 3.393 Kg/m |
| 1562 | Ø 40.2 | 3.427 Kg/m |
| 4678 | Ø 45 | 4.294 Kg/m |
| 2572 | Ø 50 | 5.301 Kg/m |
| 4679 | Ø 55 | 6.415 Kg/m |
| 4680 | Ø 60 | 7.634 Kg/m |
| 4427 | Ø 63 | 8.417 Kg/m |
| 4681 | Ø 70 | 10.391 Kg/m |

* = TEKNİK RESİM İSTENSİN

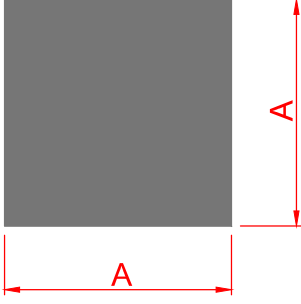
DOLU ÇUBUK PROFİLLER



| PROFİL NO | A | GRAMAJ |
|-----------|------|-------------|
| 3428 | Ø 71 | 10.690 Kg/m |

* = TEKNİK RESİM İSTENSİN

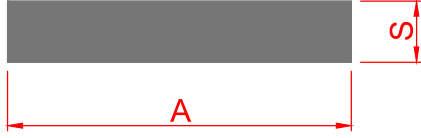
DOLU KUTU PROFİLLER



| PROFİL NO | A | GRAMAJ |
|-----------|------|------------|
| 1563 | 6.9 | 0.129 Kg/m |
| 1564 | 8 | 0.173 Kg/m |
| 2082 | 10 | 0.270 Kg/m |
| * 2778 | 10 | 0.266 Kg/m |
| 1565 | 10.9 | 0.321 Kg/m |
| 1566 | 12 | 0.389 Kg/m |
| * 1841 | 12 | 0.386 Kg/m |
| 1567 | 14 | 0.529 Kg/m |
| * 1842 | 14 | 0.527 Kg/m |
| 1568 | 20 | 1.080 Kg/m |
| * 2404 | 20 | 1.059 Kg/m |
| 1406 | 25 | 1.688 Kg/m |
| 1569 | 26 | 1.825 Kg/m |
| * 4944 | 30 | 2.428 Kg/m |
| 5348 | 35 | 3.308 Kg/m |
| 2386 | 40 | 4.320 Kg/m |
| * 4492 | 55 | 8.165 Kg/m |

* = TEKNİK RESİM İSTENSİN

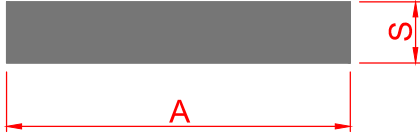
LAMA PROFİLLER



| PROFİL NO | A | S | GRAMAJ |
|-----------|------|-----|------------|
| 1571 | 8.9 | 7 | 0.168 Kg/m |
| 1572 | 9.95 | 7.9 | 0.212 Kg/m |
| 2521 | 11 | 8 | 0.237 Kg/m |
| 2266 | 11.1 | 6.4 | 0.192 Kg/m |
| 2811 | 12 | 3 | 0.097 Kg/m |
| * 1859 | 12 | 8 | 0.259 Kg/m |
| 3722 | 12 | 10 | 0.324 Kg/m |
| * 1573 | 12 | 10 | 0.324 Kg/m |
| 3743 | 14 | 8 | 0.302 Kg/m |
| 1574 | 15 | 3 | 0.121 Kg/m |
| 1231 | 15 | 10 | 0.405 Kg/m |
| 1575 | 16 | 5 | 0.216 Kg/m |
| 1576 | 16 | 8 | 0.346 Kg/m |
| * 1578 | 16 | 6 | 0.257 Kg/m |
| 1579 | 17 | 4.5 | 0.208 Kg/m |
| * 1853 | 17 | 5 | 0.229 Kg/m |
| 1580 | 17 | 7 | 0.321 Kg/m |
| * 2959 | 17 | 7 | 0.316 Kg/m |
| 1581 | 17 | 10 | 0.459 Kg/m |
| * 2438 | 17.8 | 9.8 | 0.470 Kg/m |
| * 1582 | 18 | 6.5 | 0.315 Kg/m |
| * 1583 | 18 | 8 | 0.388 Kg/m |
| 1584 | 18 | 10 | 0.468 Kg/m |
| 1585 | 19 | 3.6 | 0.185 Kg/m |

* = TEKNİK RESİM İSTENSİN

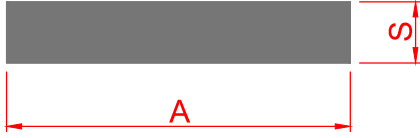
LAMA PROFİLLER



| PROFİL NO | A | S | GRAMAJ |
|-----------|-------|-----|------------|
| 1586 | 19.75 | 2.7 | 0.143 Kg/m |
| 1587 | 20 | 5 | 0.269 Kg/m |
| * 2588 | 20 | 7.9 | 0.423 Kg/m |
| 1588 | 20 | 8 | 0.432 Kg/m |
| 2210 | 20 | 10 | 0.539 Kg/m |
| * 2686 | 23 | 8 | 0.496 Kg/m |
| 1589 | 25 | 2.5 | 0.169 Kg/m |
| 1289 | 25 | 5 | 0.338 Kg/m |
| * 1864 | 25 | 7 | 0.470 Kg/m |
| 1591 | 28.1 | 2.7 | 0.194 Kg/m |
| 1959 | 30 | 3 | 0.242 Kg/m |
| * 1592 | 30 | 7 | 0.563 Kg/m |
| * 1593 | 30 | 8 | 0.644 Kg/m |
| 1595 | 30 | 8 | 0.648 Kg/m |
| * 1594 | 30 | 10 | 0.809 Kg/m |
| 1596 | 33 | 4 | 0.356 Kg/m |
| * 1597 | 34 | 8 | 0.734 Kg/m |
| 1598 | 35 | 2 | 0.189 Kg/m |
| 1570 | 35 | 30 | 2.835 Kg/m |
| * 1599 | 38.7 | 6.3 | 0.635 Kg/m |
| 1600 | 40 | 1.2 | 0.129 Kg/m |
| 1601 | 40 | 3 | 0.324 Kg/m |
| 1412 | 45 | 13 | 1.580 Kg/m |
| 1854 | 50 | 3 | 0.405 Kg/m |

* = TEKNİK RESİM İSTENSİN

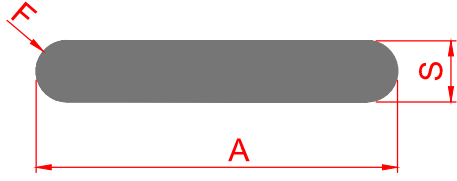
LAMA PROFİLLER



| PROFİL NO | A | S | GRAMAJ |
|-----------|-----|------|-------------|
| 5682 | 50 | 5 | 0.675 Kg/m |
| 3425 | 50 | 10 | 1.350 Kg/m |
| * 4961 | 50 | 20 | 2.698 Kg/m |
| 4269 | 60 | 10 | 1.620 Kg/m |
| 2151 | 60 | 12 | 1.943 Kg/m |
| 2488 | 60 | 25.2 | 4.096 Kg/m |
| * 4526 | 60 | 40 | 6.478 Kg/m |
| 1537 | 75 | 10 | 2.025 Kg/m |
| 3426 | 80 | 12 | 2.592 Kg/m |
| * 1602 | 80 | 20 | 4.320 Kg/m |
| 4677 | 80 | 40 | 8.637 Kg/m |
| 3869 | 85 | 12 | 2.754 Kg/m |
| 1379 | 90 | 10 | 2.430 Kg/m |
| 1603 | 100 | 10 | 2.700 Kg/m |
| 1604 | 160 | 4 | 1.728 Kg/m |
| 1605 | 160 | 10 | 4.320 Kg/m |
| 3828 | 185 | 20 | 9.990 Kg/m |
| 1606 | 200 | 18 | 9.720 Kg/m |
| 3827 | 250 | 20 | 13.500 Kg/m |

* = TEKNİK RESİM İSTENSİN

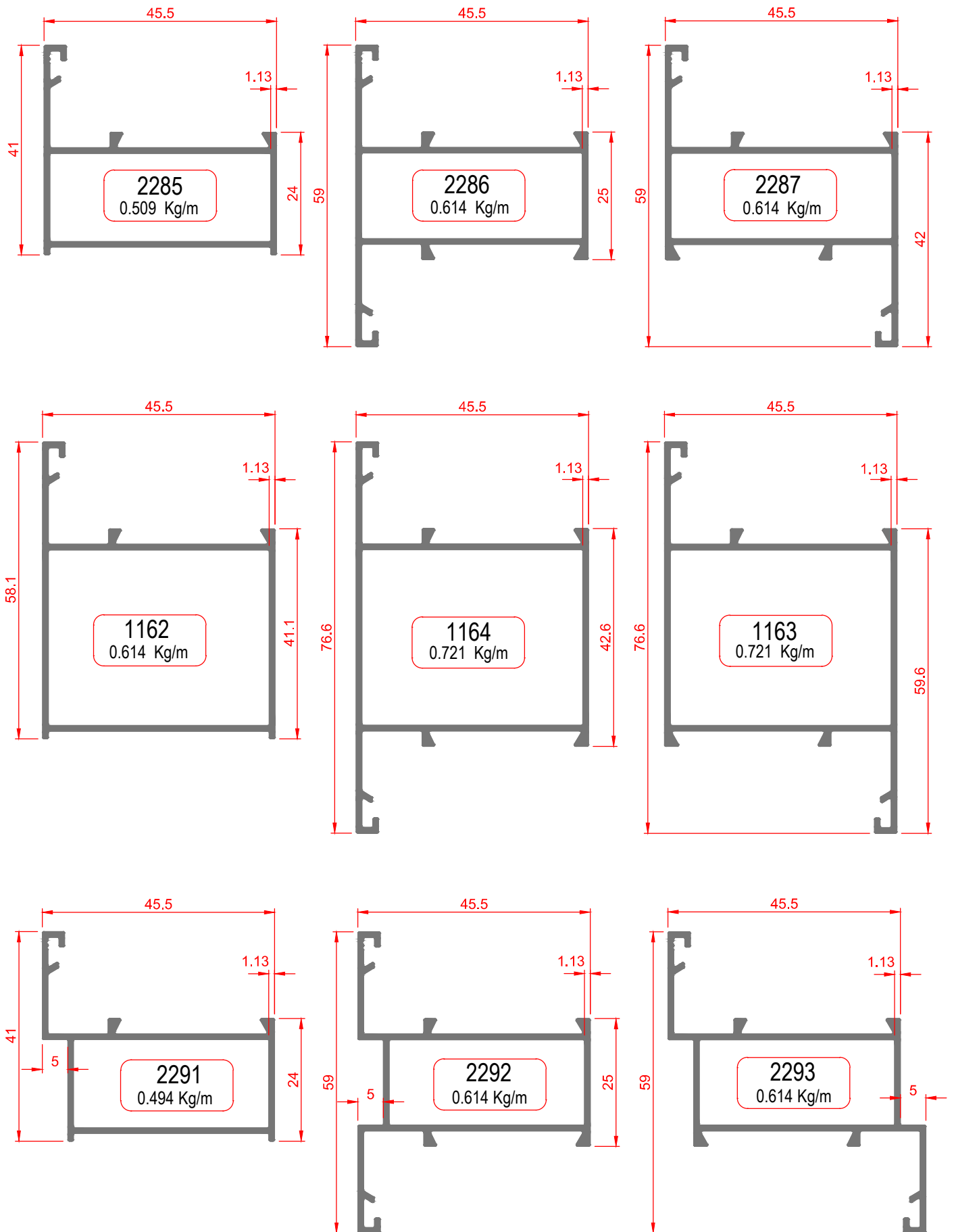
LAMA PROFİLLER



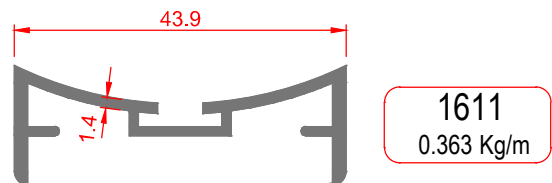
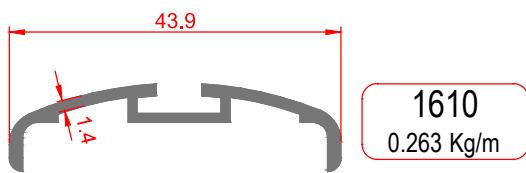
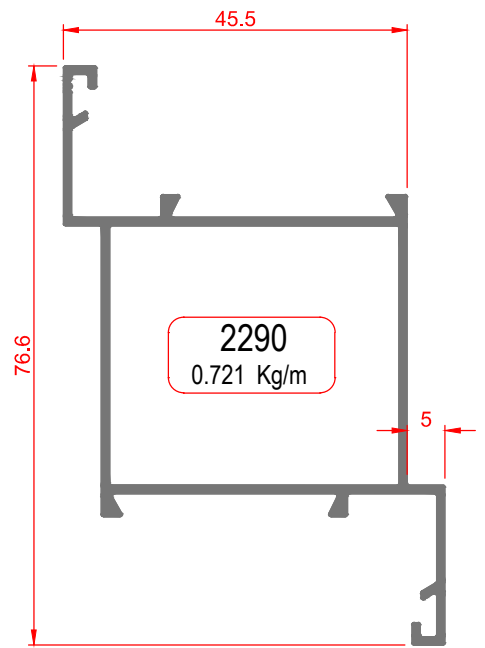
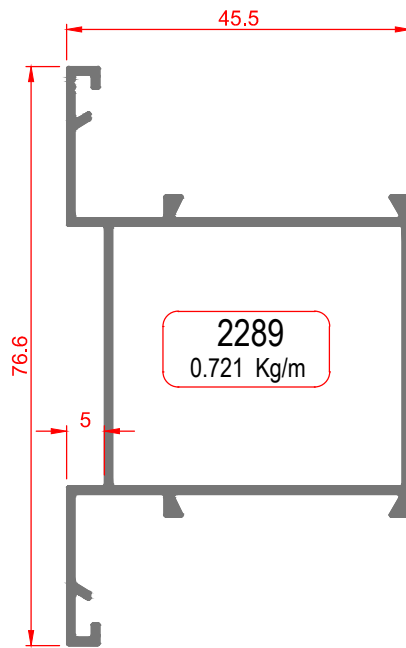
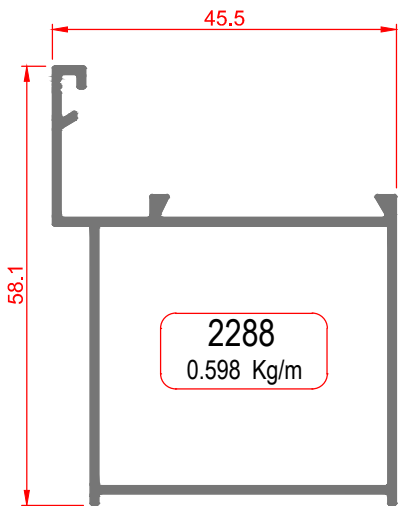
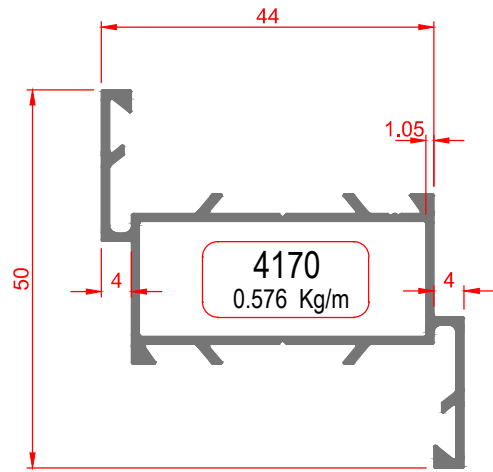
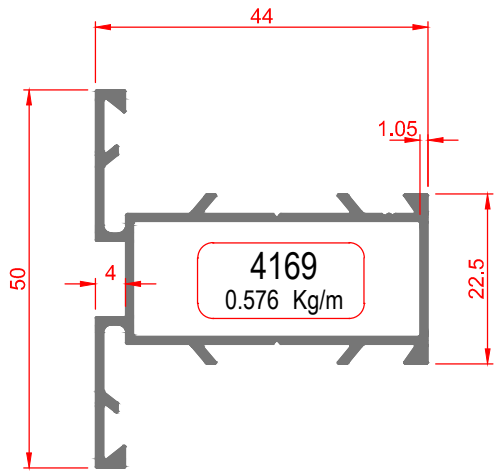
| PROFİL NO | A | S | GRAMAJ |
|-----------|-------|-----|------------|
| 1577 | 16 | 7 | 0.274 Kg/m |
| 1411 | 20 | 3 | 0.157 Kg/m |
| 1418 | 20 | 4 | 0.207 Kg/m |
| 2503 | 20 | 6 | 0.303 Kg/m |
| 1590 | 25 | 5 | 0.325 Kg/m |
| 1044 | 55 | 6 | 0.873 Kg/m |
| 1048 | 74.9 | 6.9 | 1.368 Kg/m |
| 1045 | 80 | 6 | 1.275 Kg/m |
| 1049 | 99.9 | 6.9 | 1.833 Kg/m |
| 1046 | 110 | 6 | 1.791 Kg/m |
| 1050 | 129.9 | 6.9 | 2.392 Kg/m |
| 1047 | 160 | 6 | 2.571 Kg/m |
| 2941 | 200 | 6 | 3.219 Kg/m |

* = TEKNİK RESİM İSTENSİN

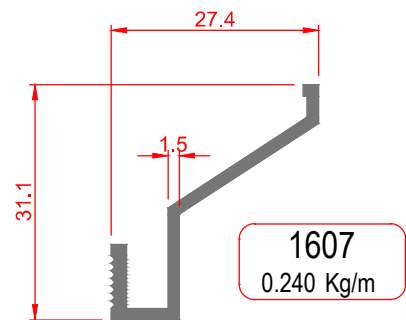
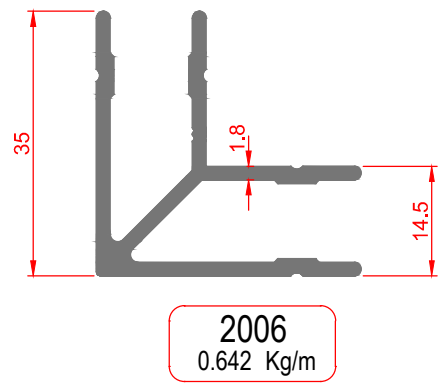
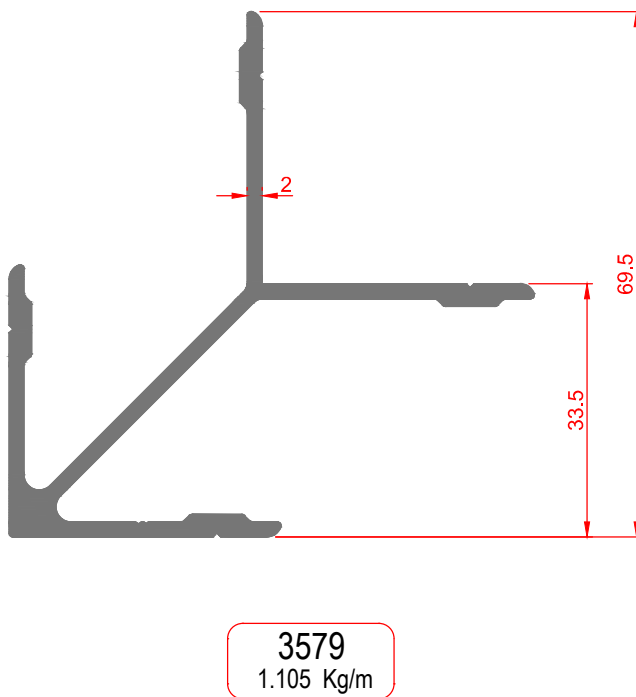
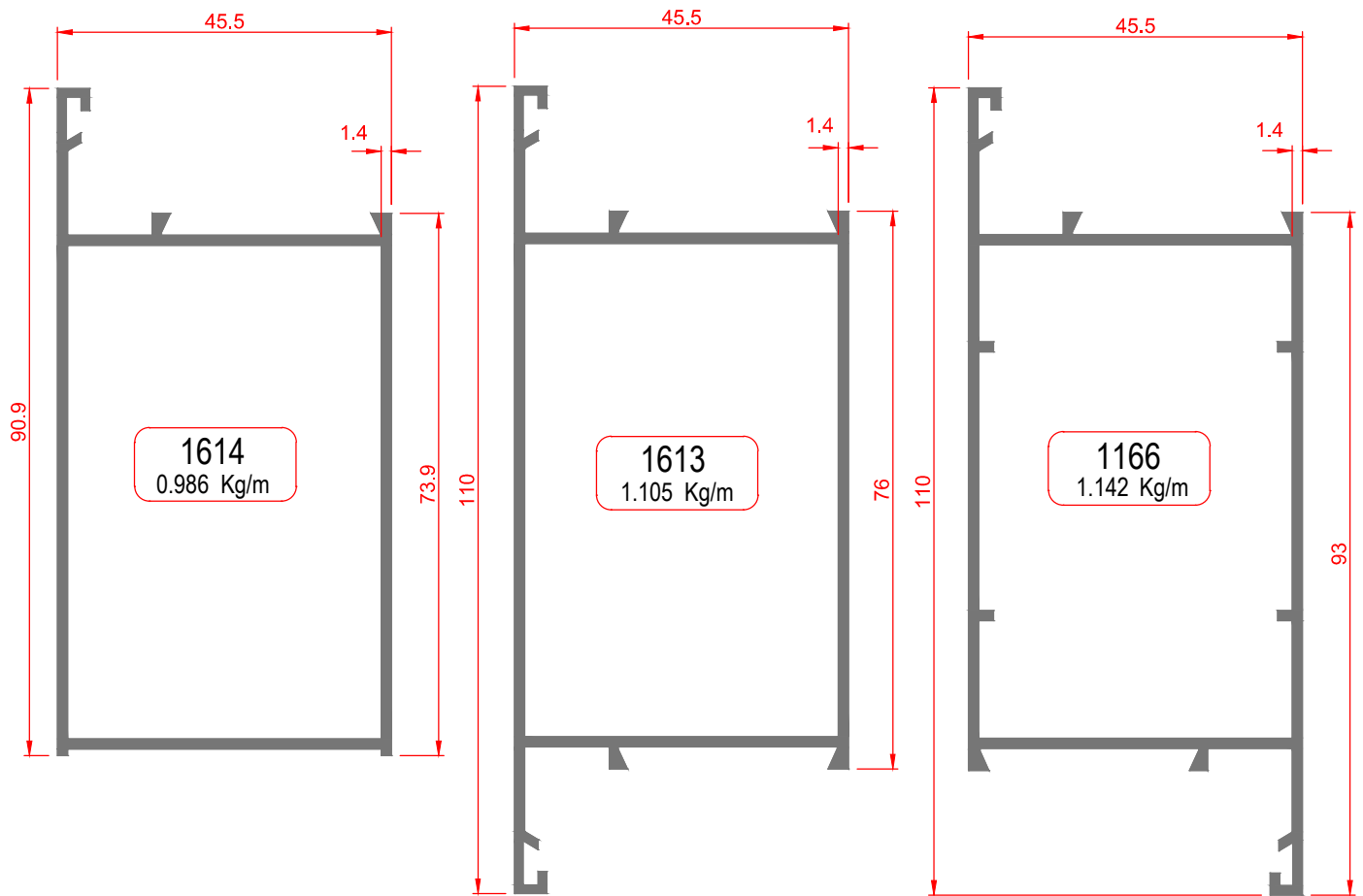
DOĞRAMA



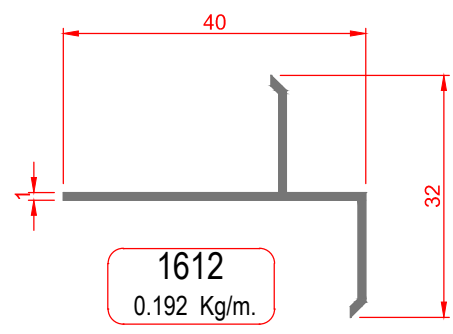
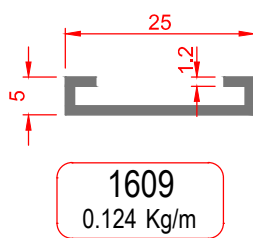
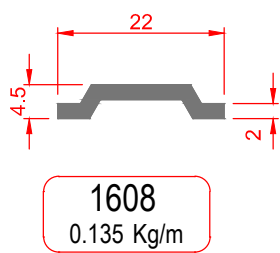
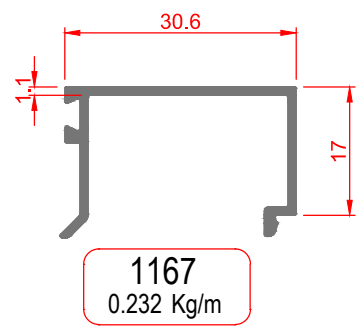
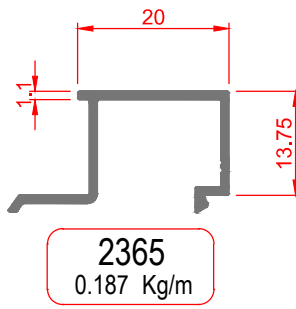
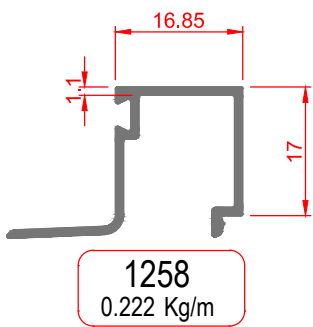
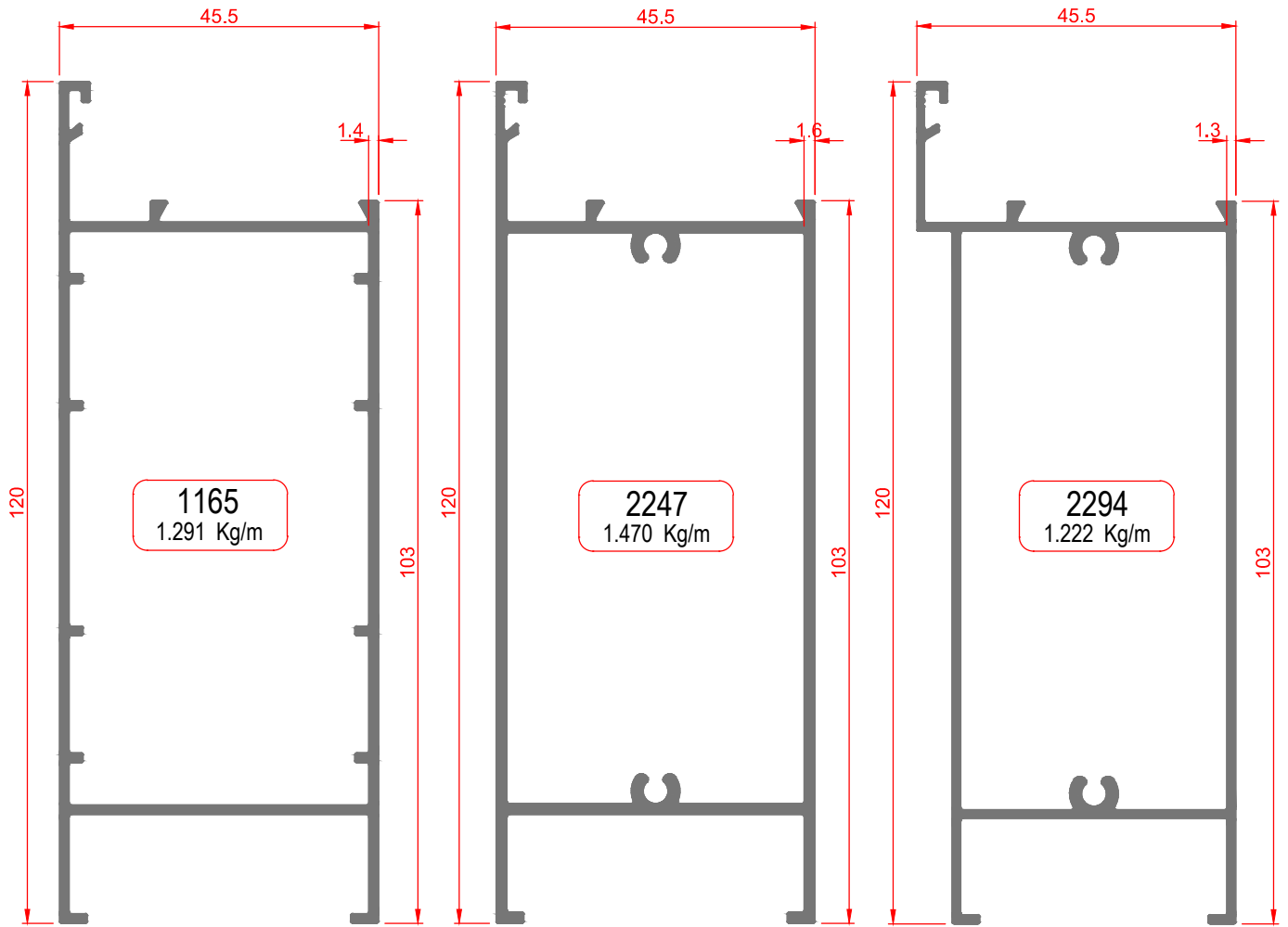
DOĞRAMA



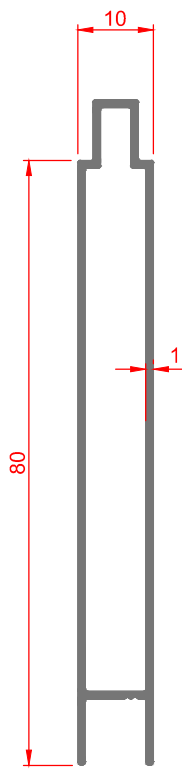
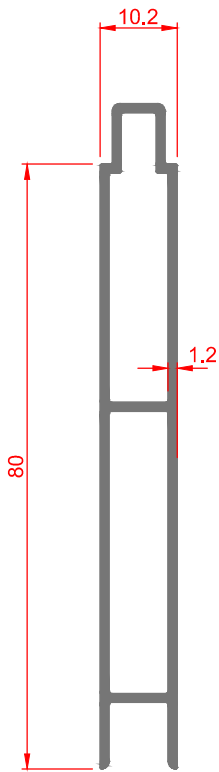
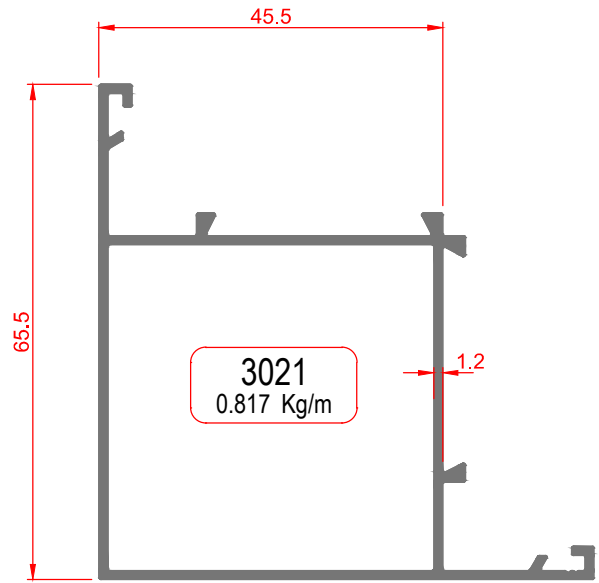
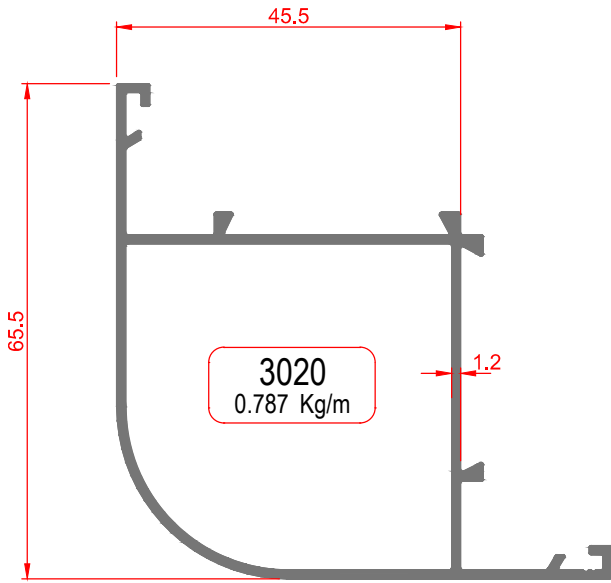
DOĞRAMA



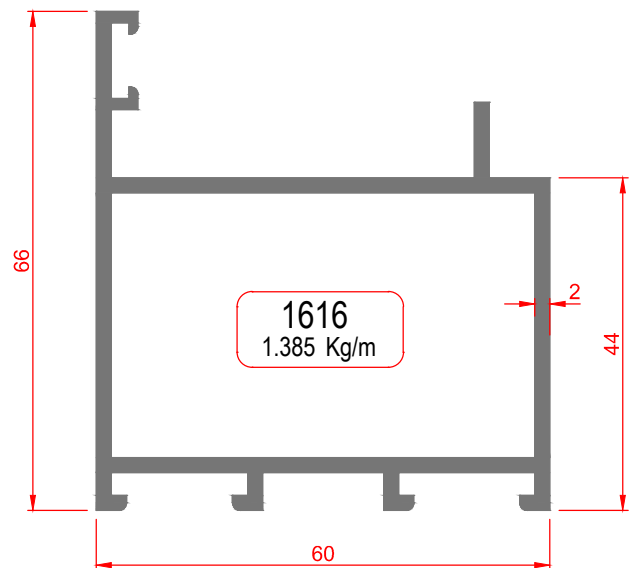
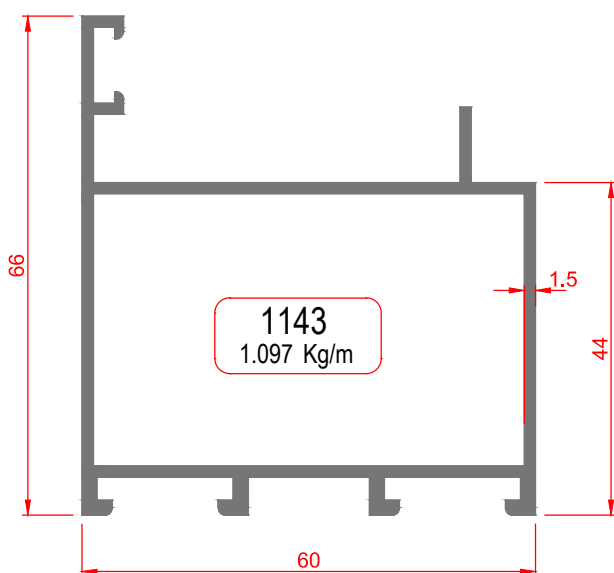
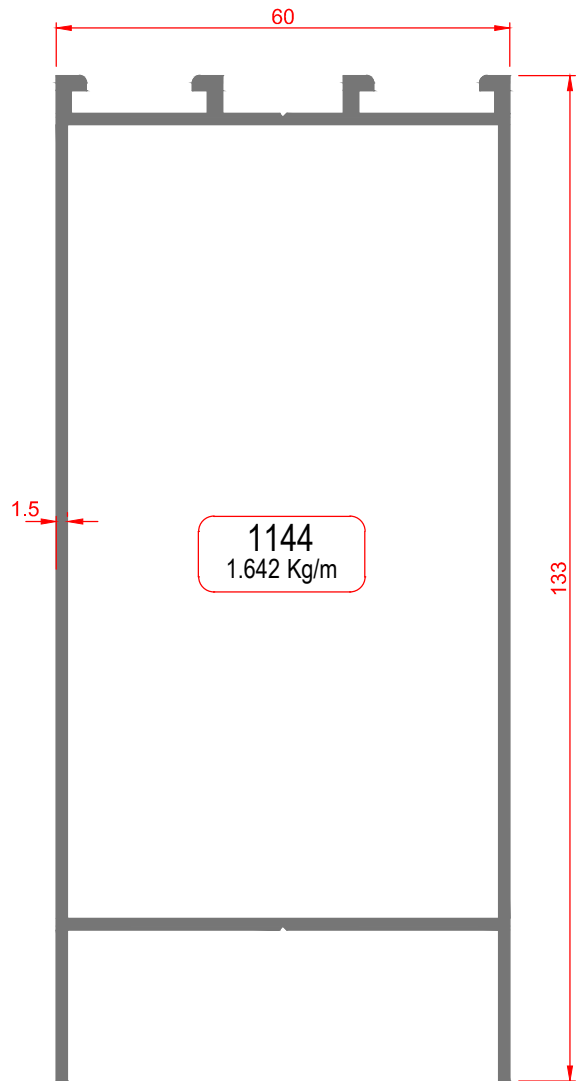
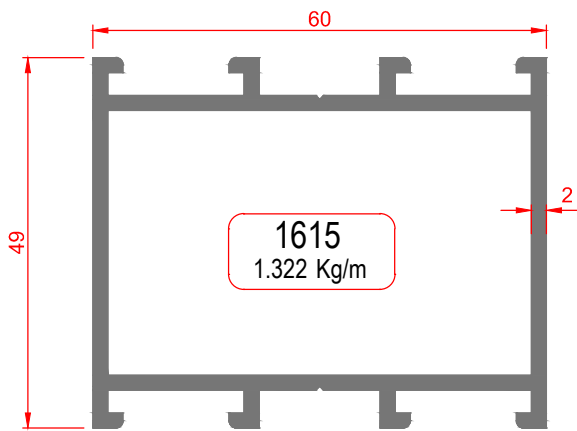
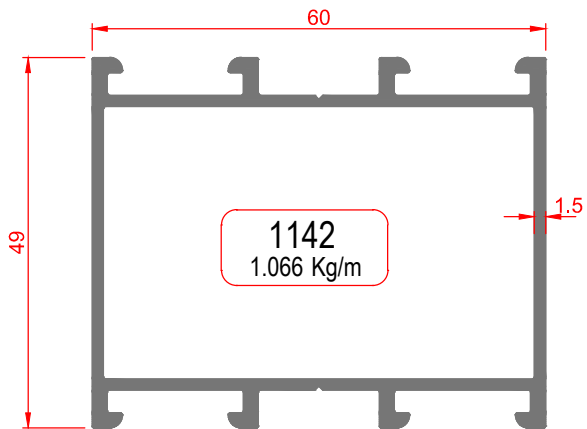
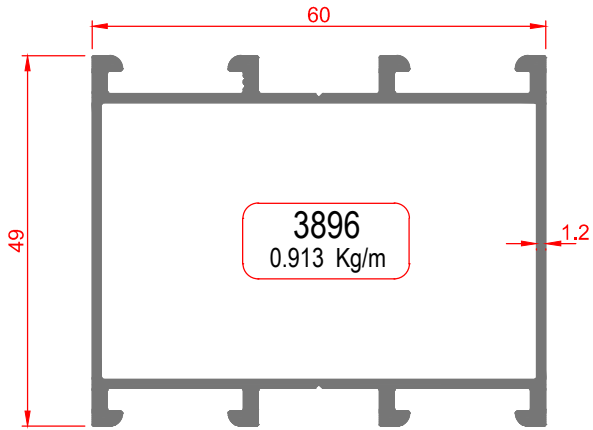
DOĞRAMA



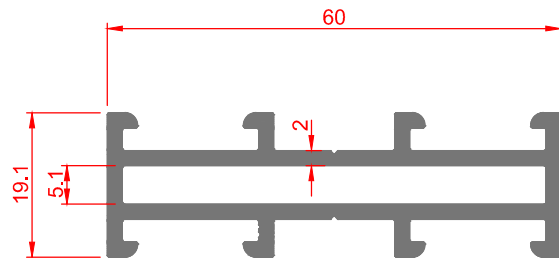
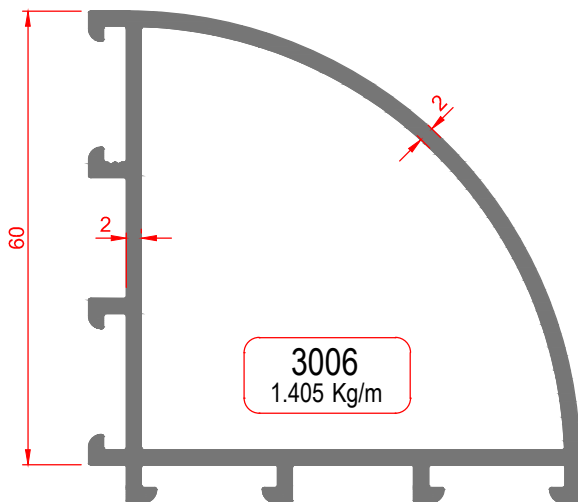
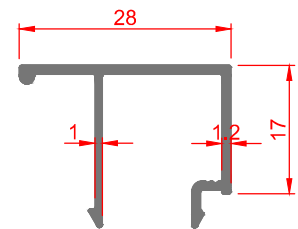
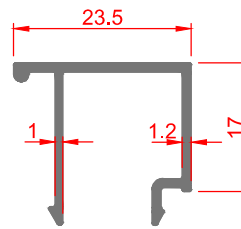
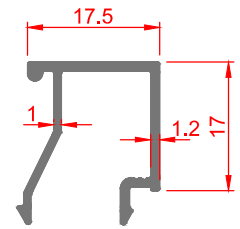
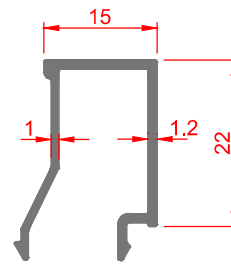
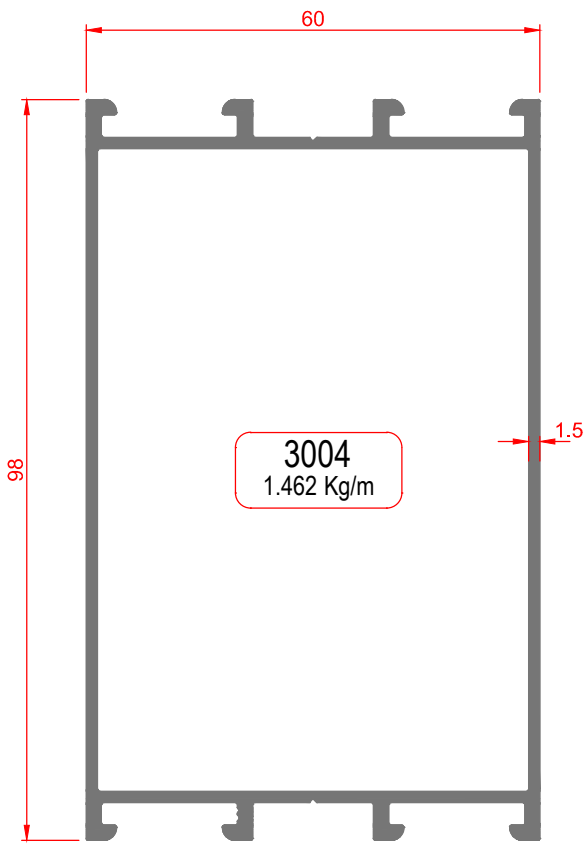
DOĞRAMA



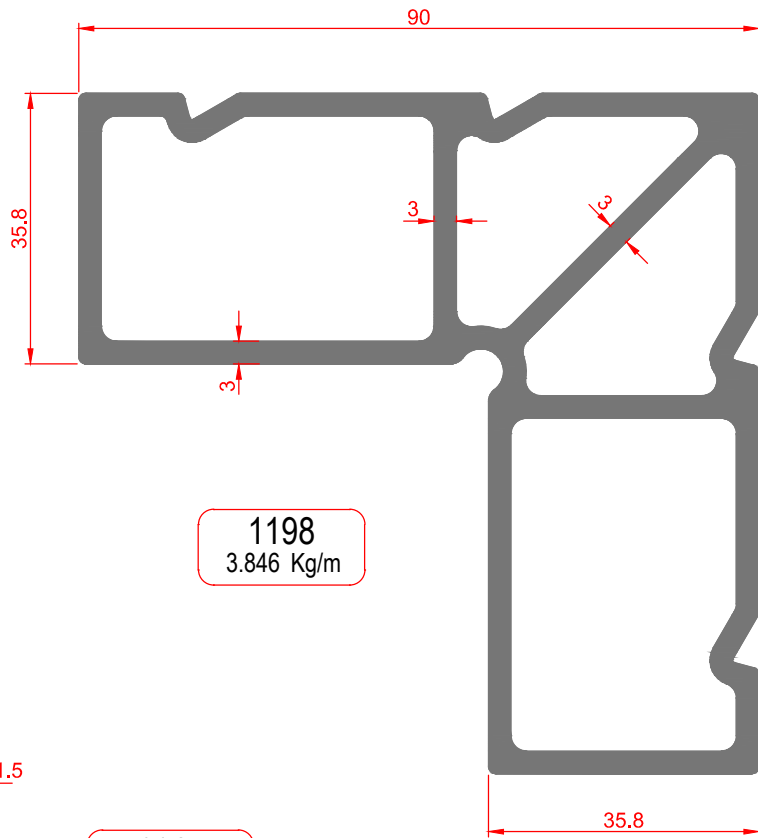
DOĞRAMA



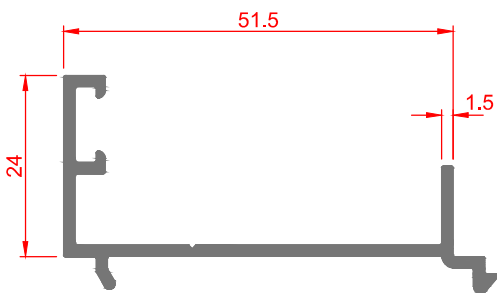
DOĞRAMA



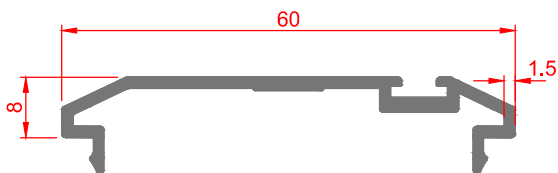
DOĞRAMA



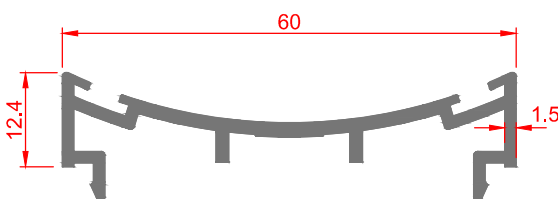
1198
3.846 Kg/m



1147
0.443 Kg/m

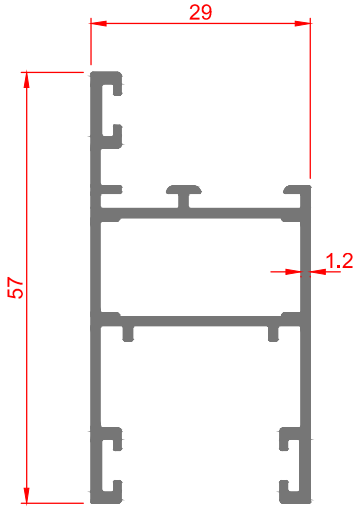


1617
0.375 Kg/m

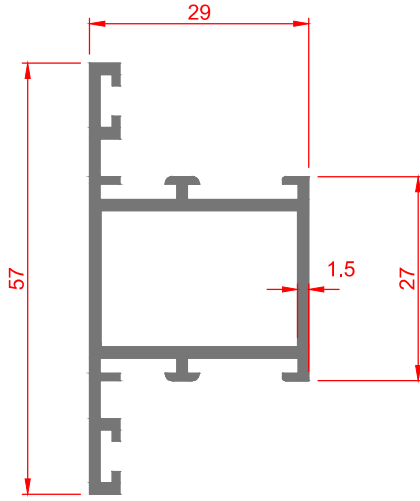


1618
0.507 Kg/m

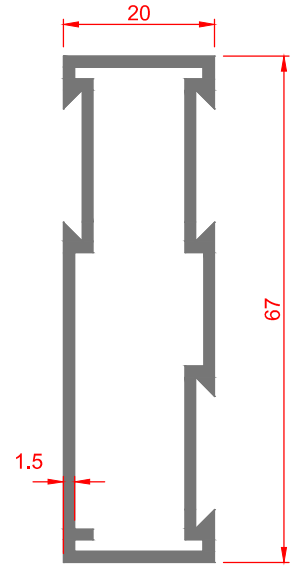
SÜRME SİSTEMLERİ



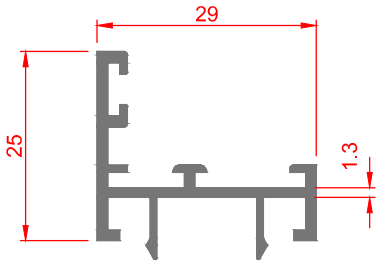
1619
0.652 Kg/m



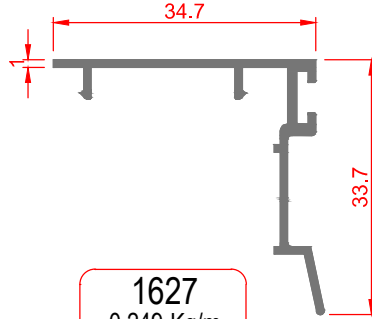
1620
0.660 Kg/m



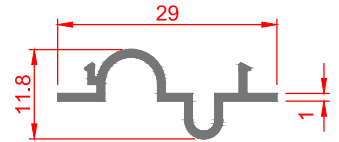
1621
0.778 Kg/m



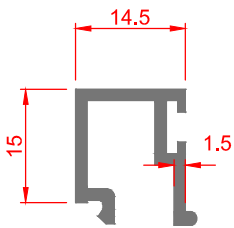
1622
0.334 Kg/m



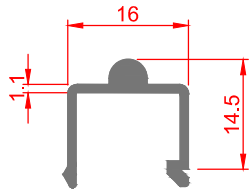
1627
0.249 Kg/m



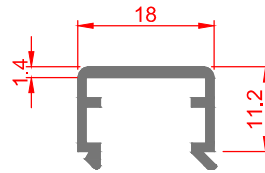
1628
0.141 Kg/m



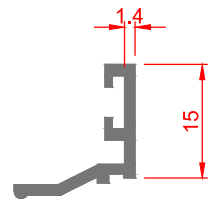
1626
0.220 Kg/m



1624
0.166 Kg/m

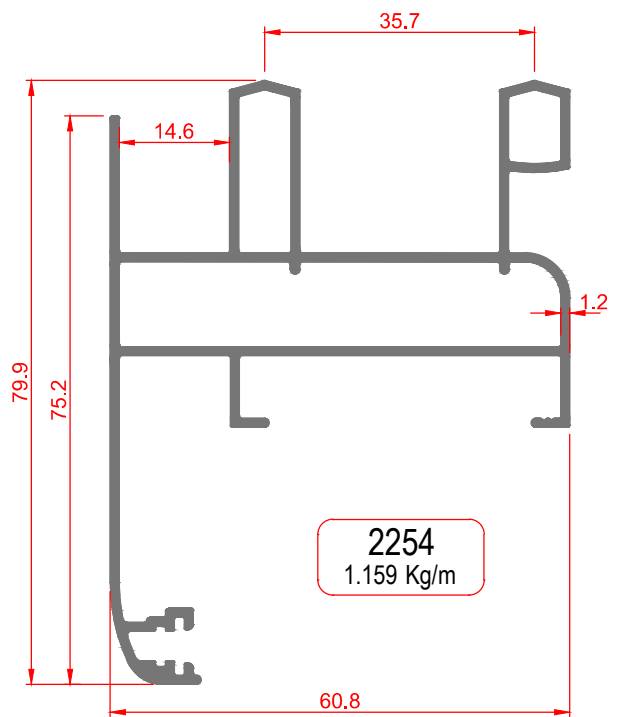
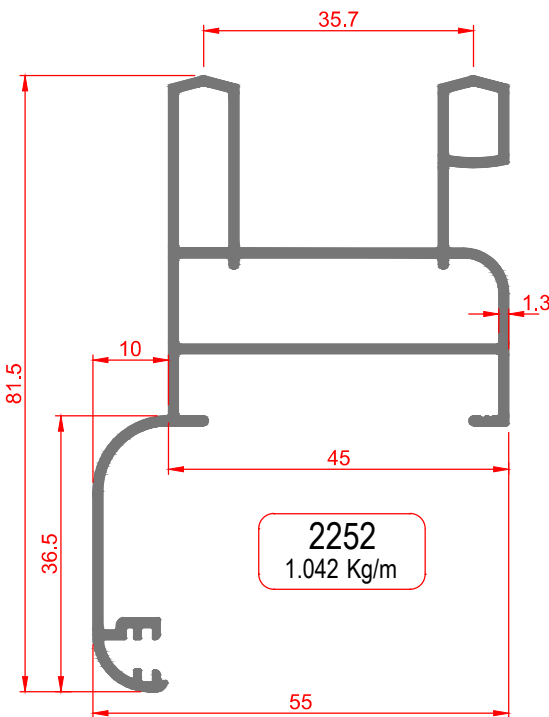
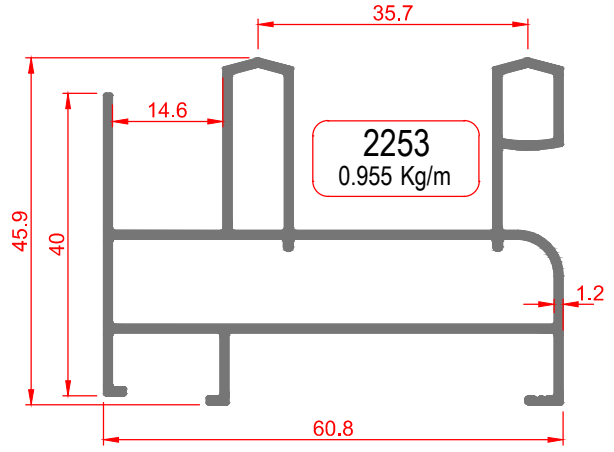
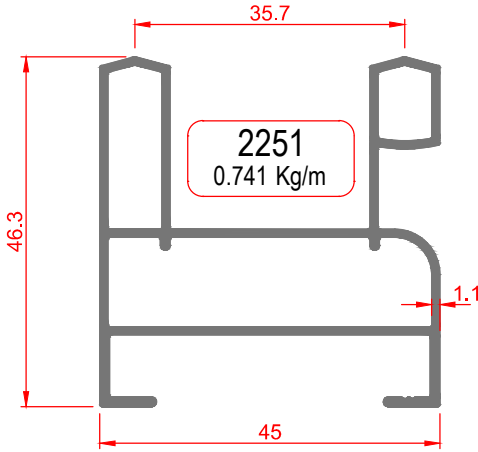
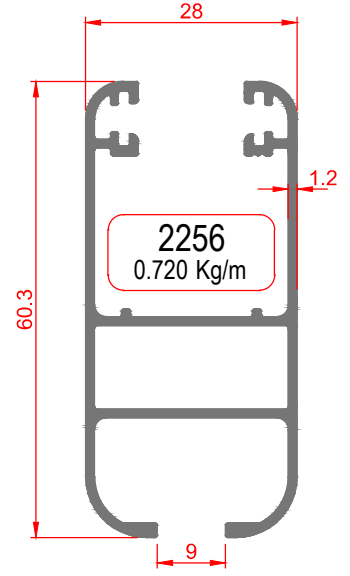
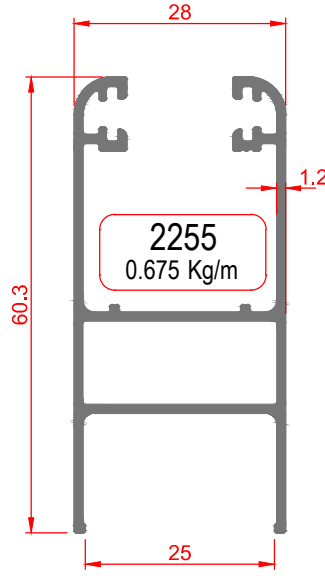
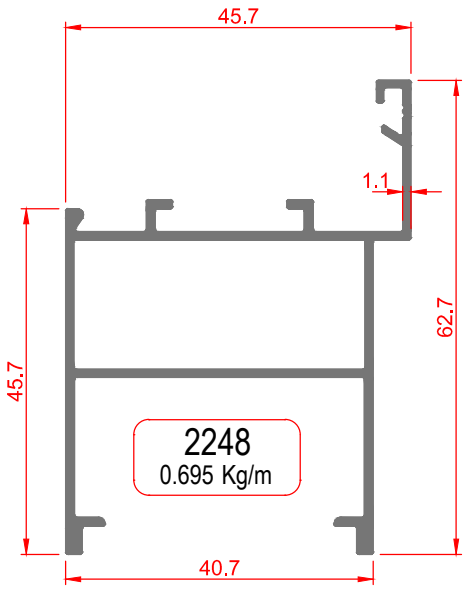


1623
0.165 Kg/m

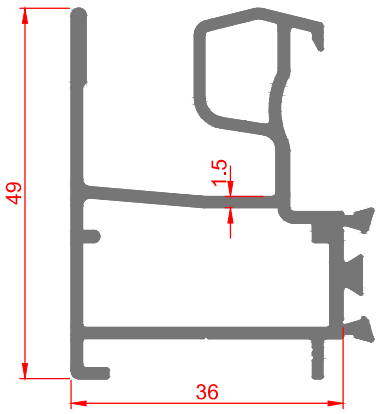
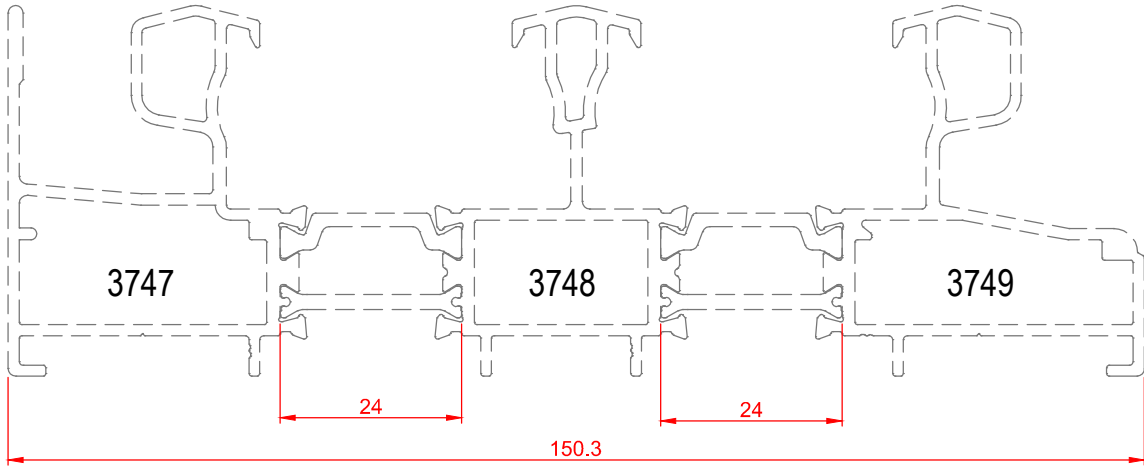


1625
0.152 Kg/m

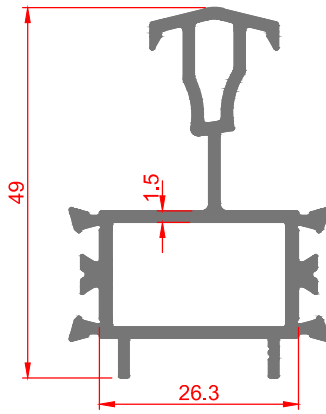
SÜRME SİSTEMLERİ



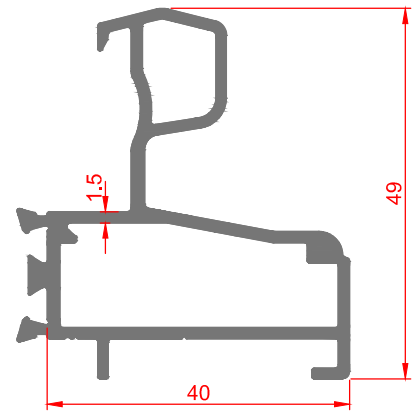
SÜRME SİSTEMLERİ



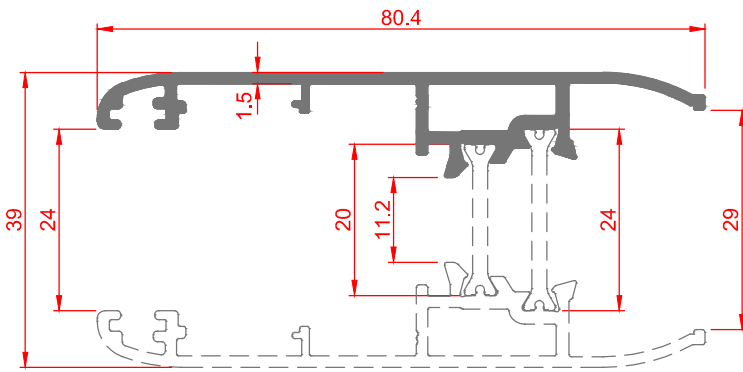
3747
0.941 Kg/m



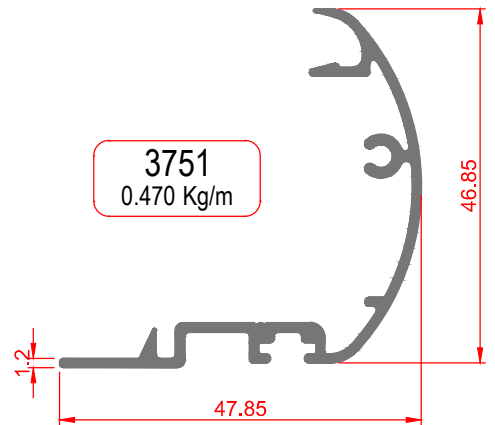
3748
0.773 Kg/m



3749
0.845 Kg/m

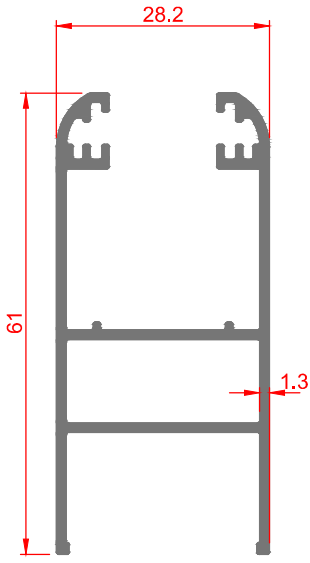


3750
0.616 Kg/m

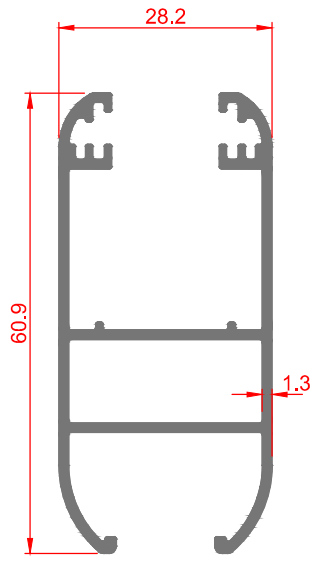


3751
0.470 Kg/m

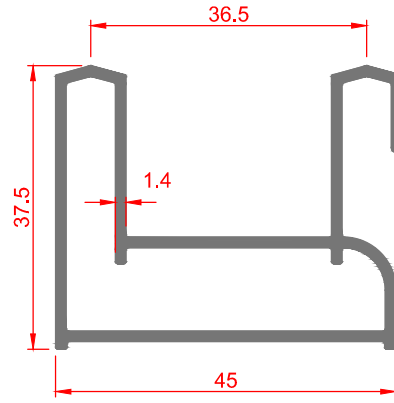
SÜRME SİSTEMLERİ



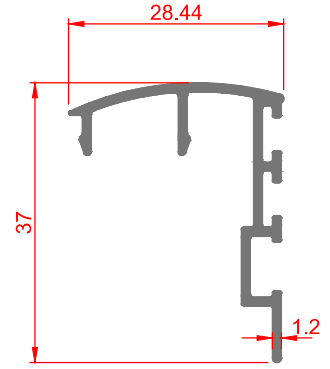
1119
0.729 Kg/m



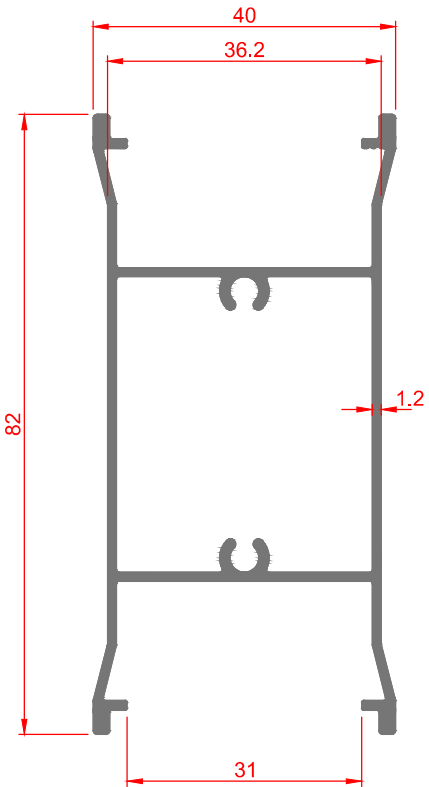
1120
0.751 Kg/m



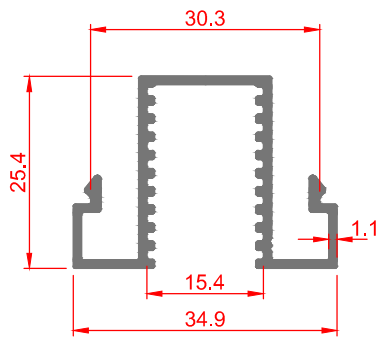
1118
0.748 Kg/m



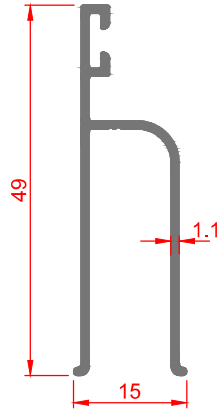
1121
0.315 Kg/m



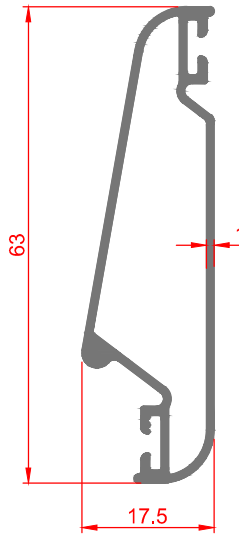
2258
0.906 Kg/m



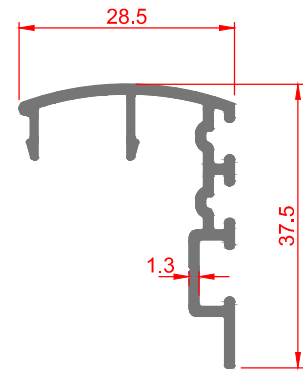
2250
0.406 Kg/m



2249
0.303 Kg/m

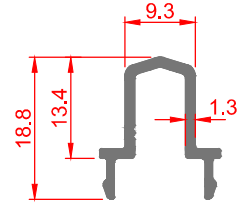
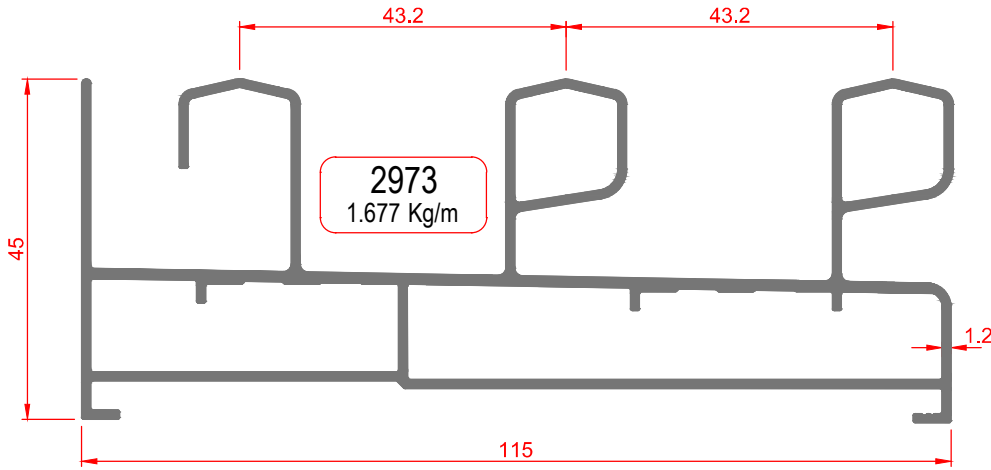


2259
0.477 Kg/m

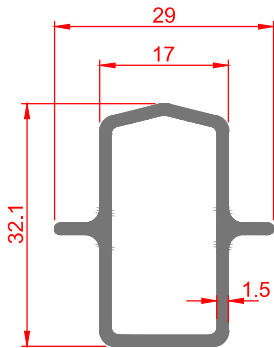
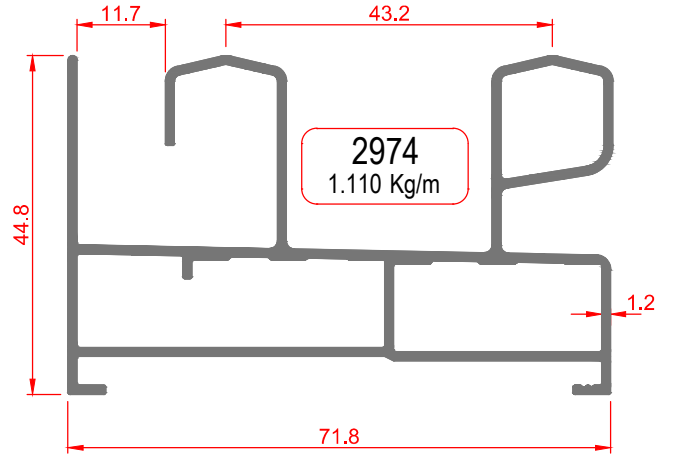
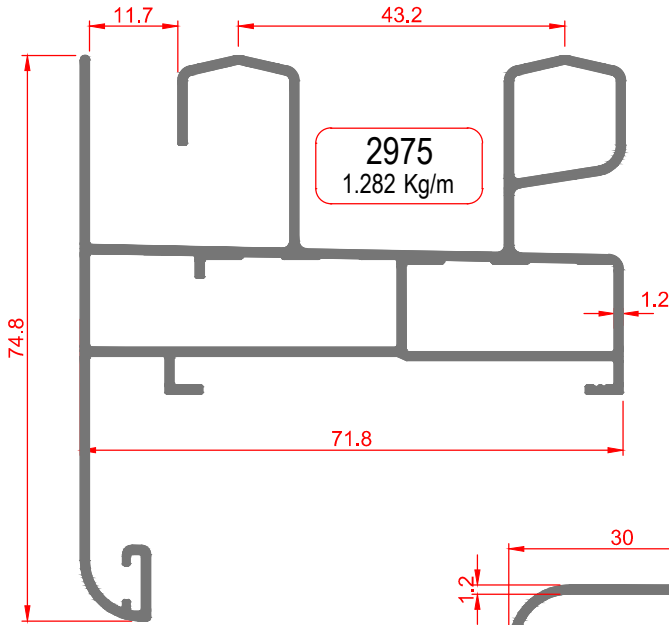


2257
0.345 Kg/m

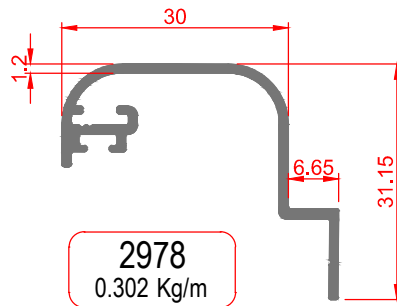
SÜRME SİSTEMLERİ



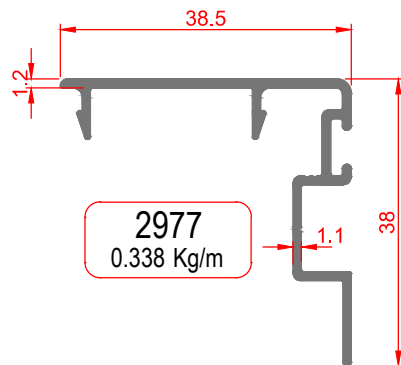
2979
0.165 Kg/m



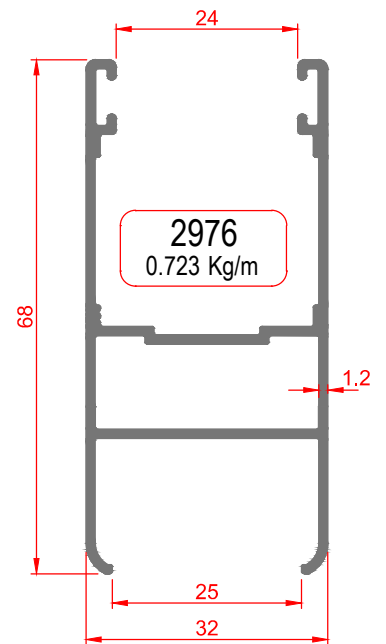
2980
0.411 Kg/m



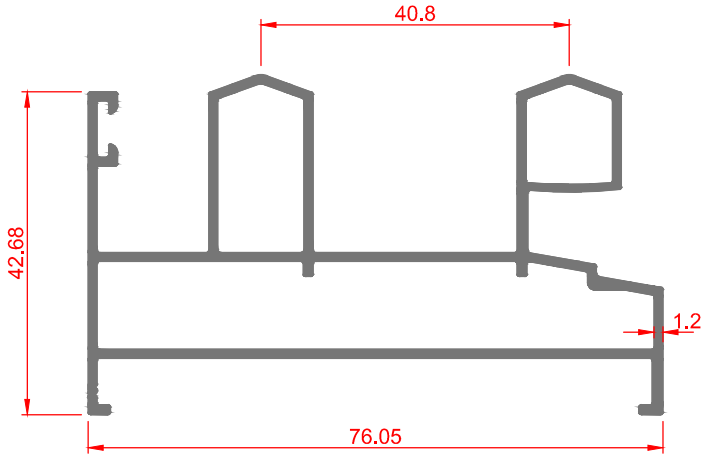
2978
0.302 Kg/m



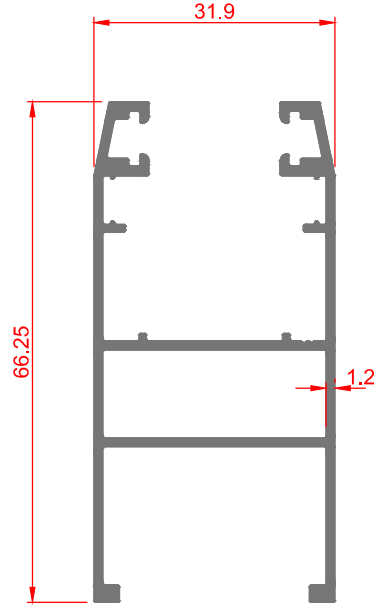
2977
0.338 Kg/m



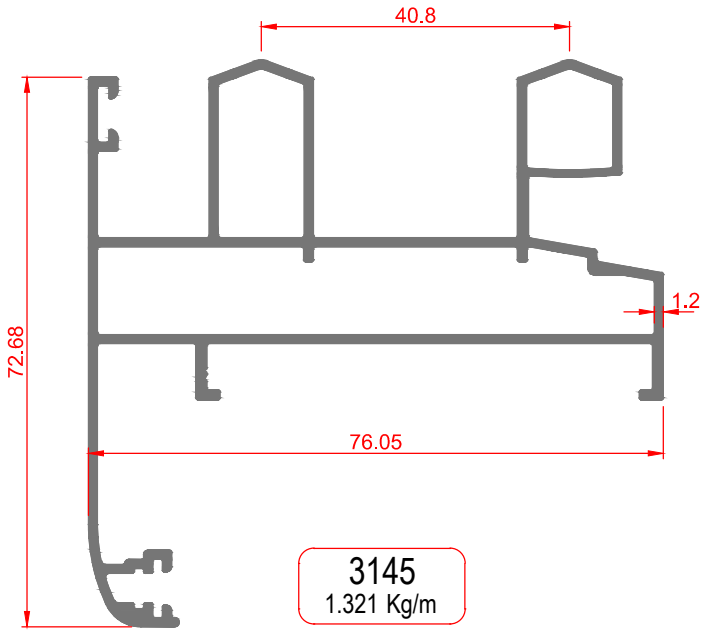
SÜRME SİSTEMLERİ



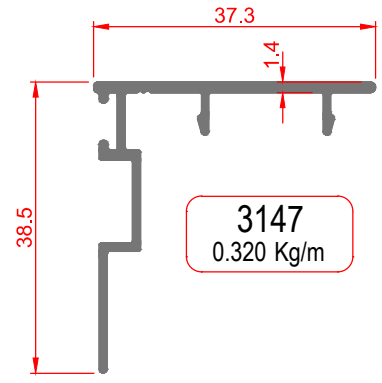
3144
1.105 Kg/m



3146
0.788 Kg/m

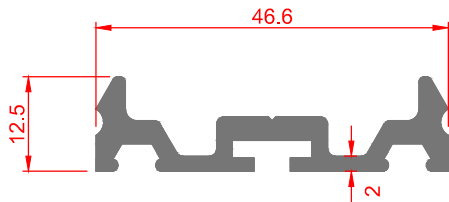
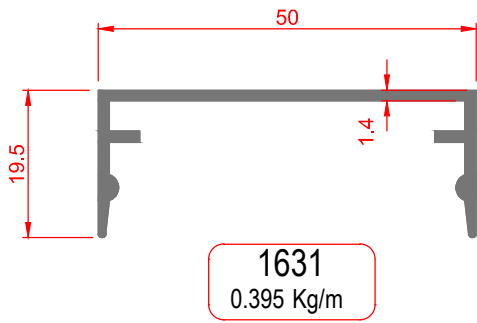
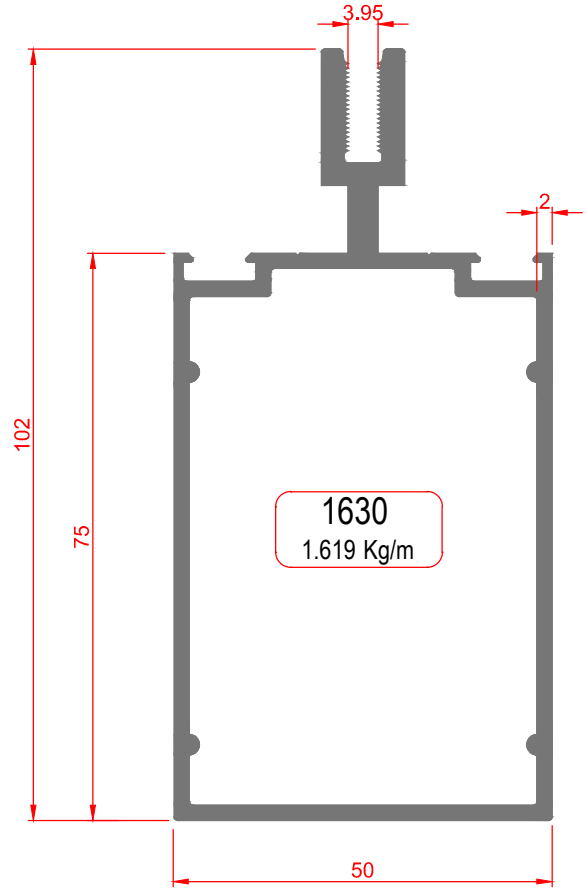
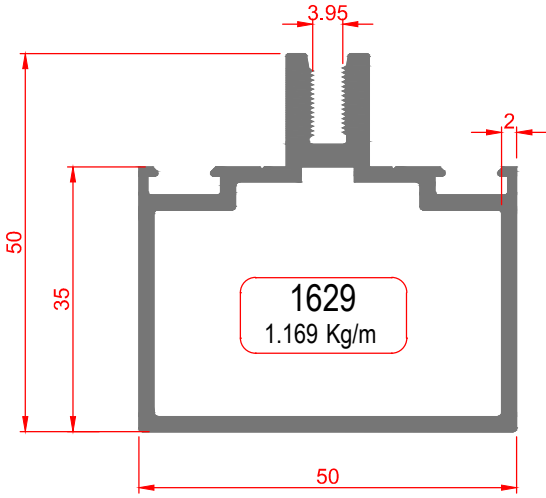


3145
1.321 Kg/m

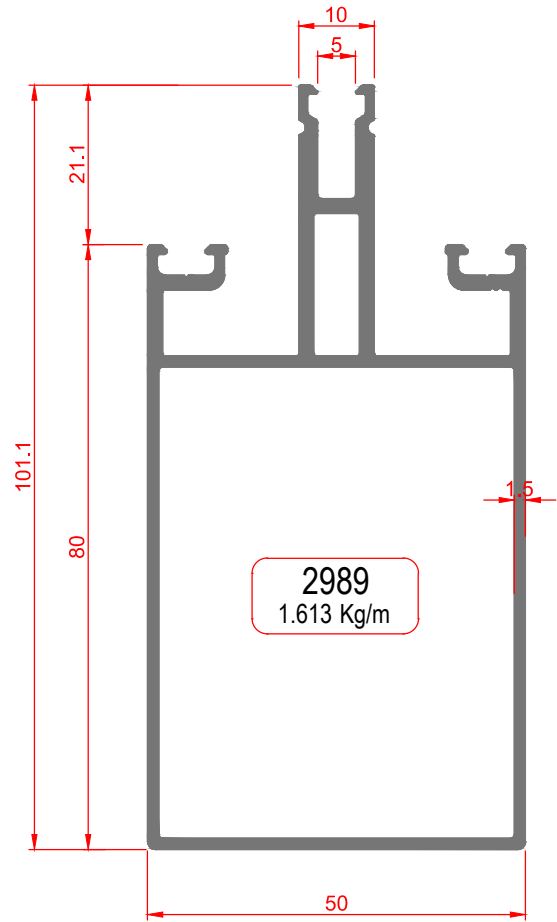
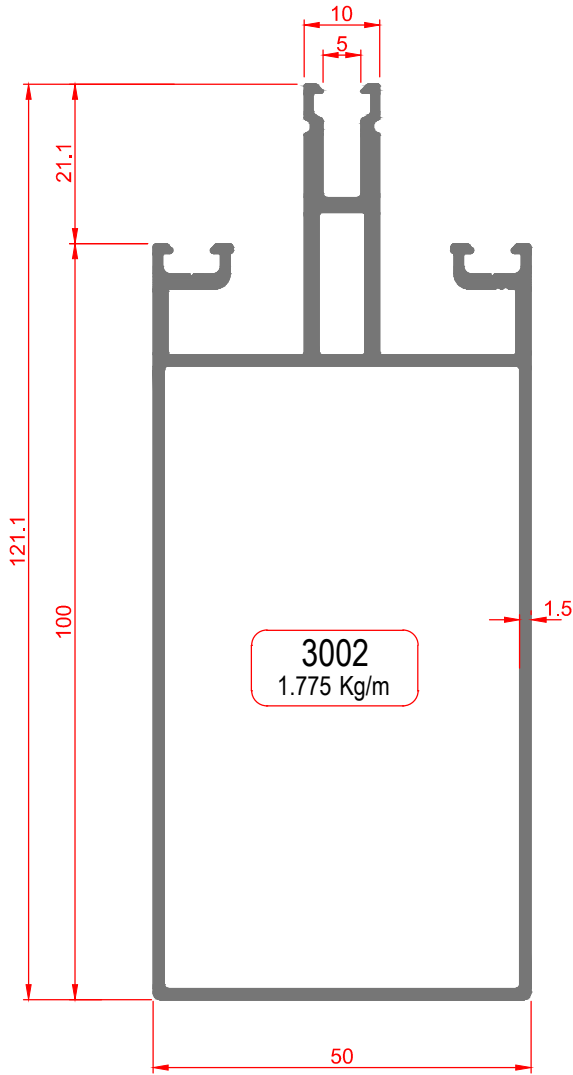
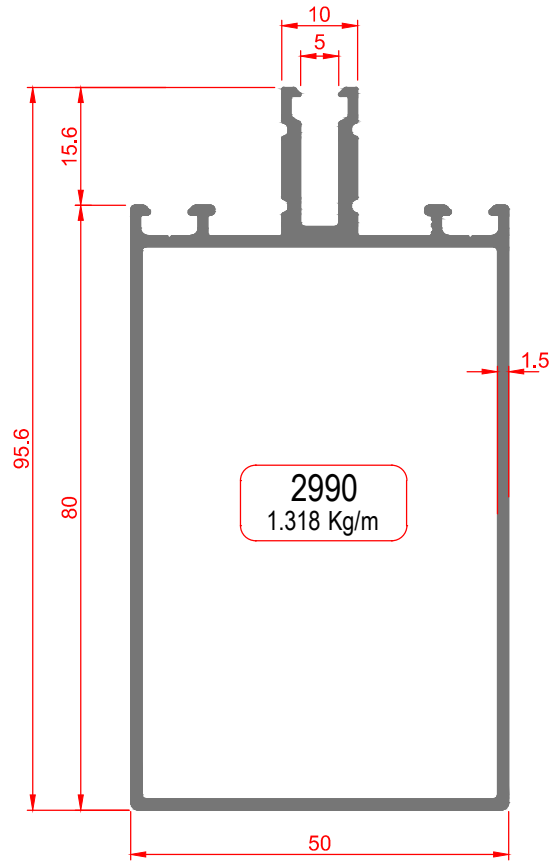
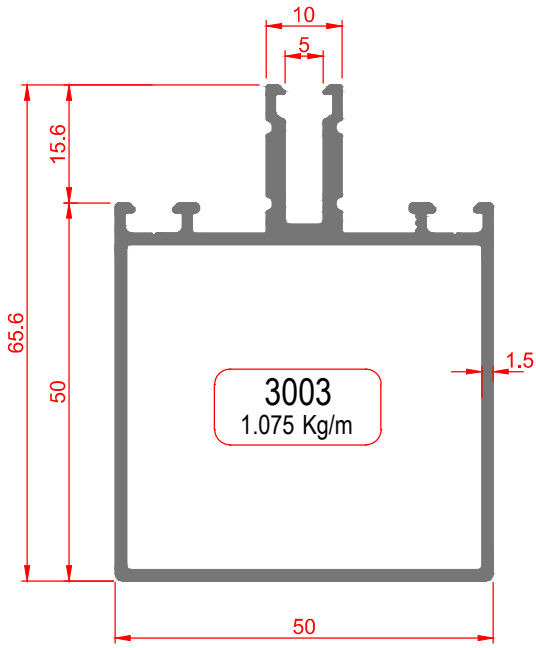


3147
0.320 Kg/m

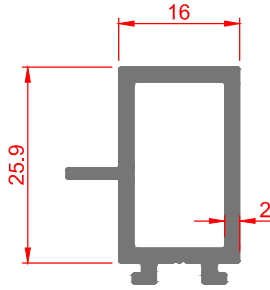
CEPHE SİSTEMLERİ-1



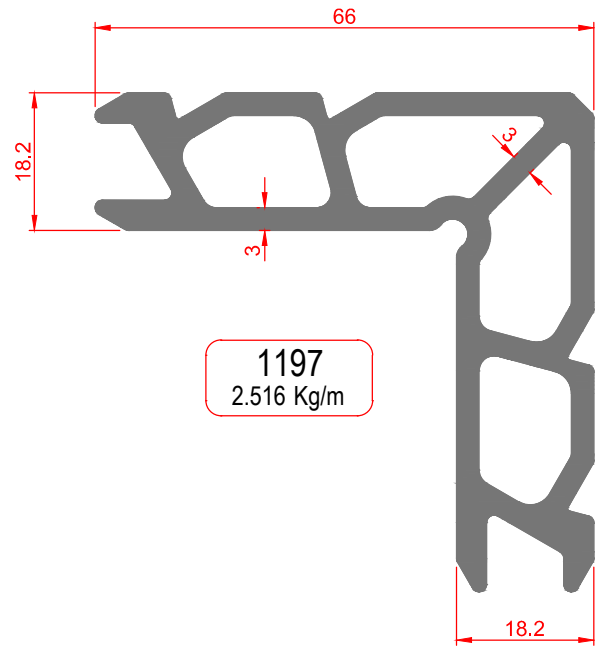
CEPHE SİSTEMLERİ-2



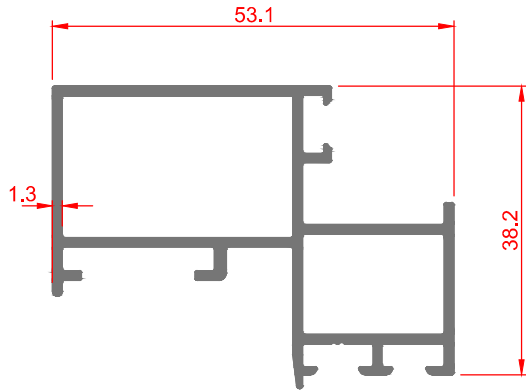
CEPHE SİSTEMLERİ-2



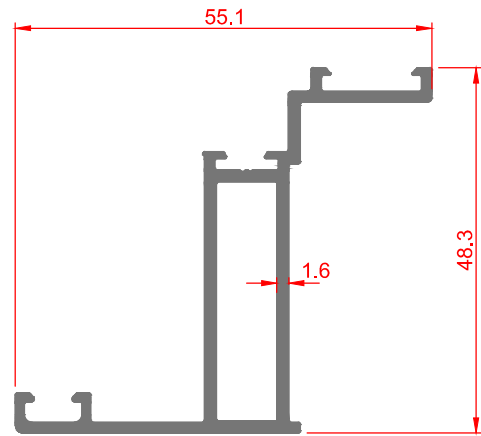
3131
0.476 Kg/m



1197
2.516 Kg/m

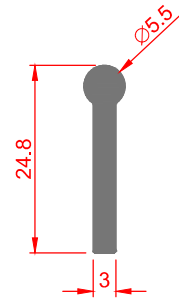
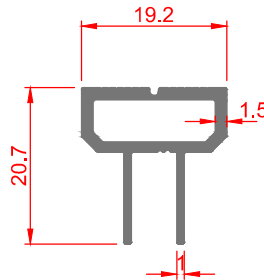
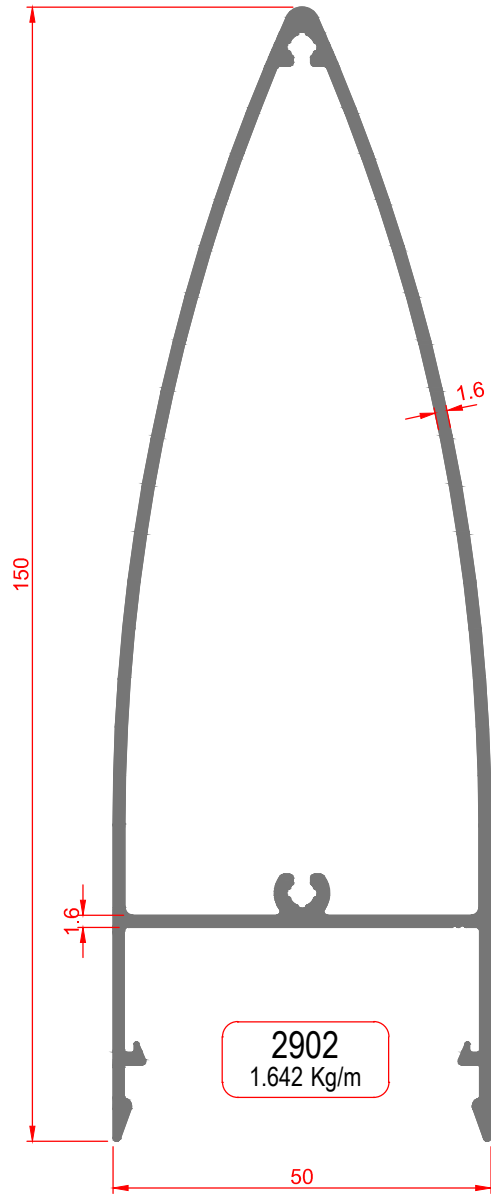
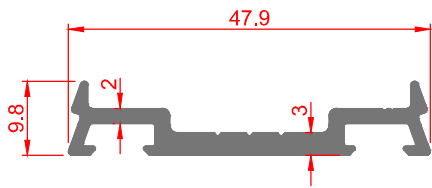
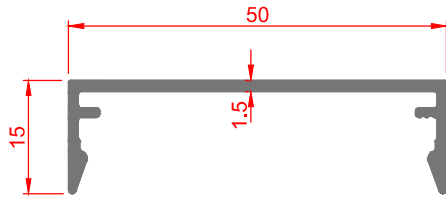
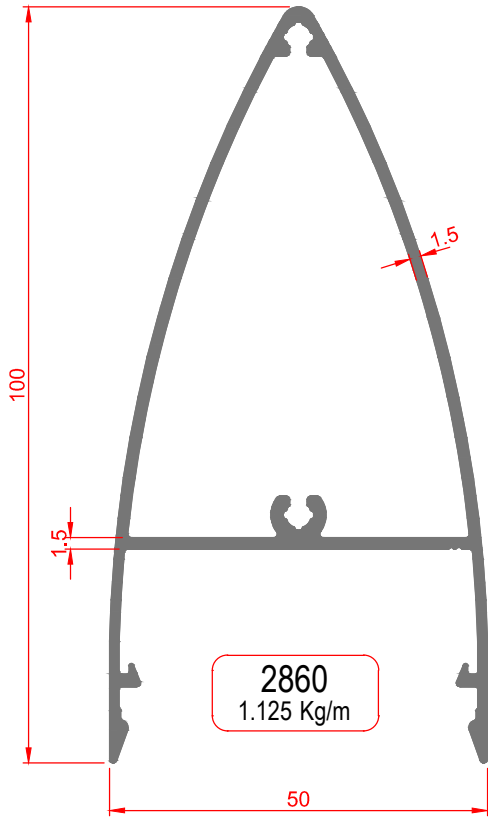


3129
0.760 Kg/m

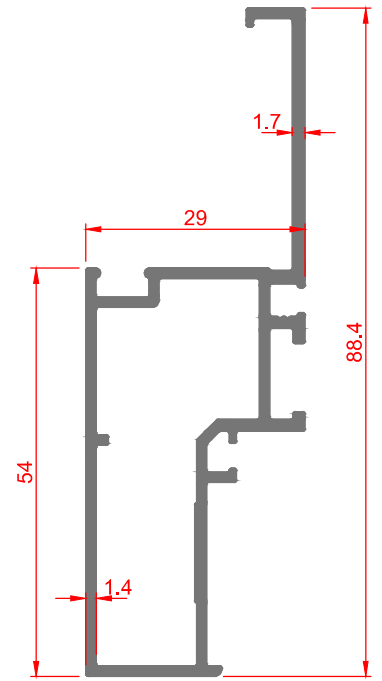
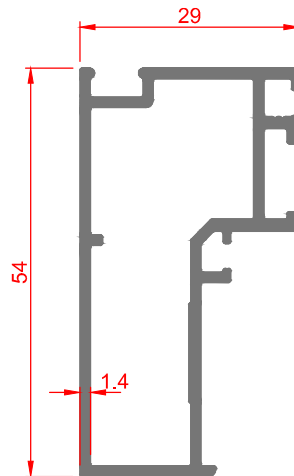
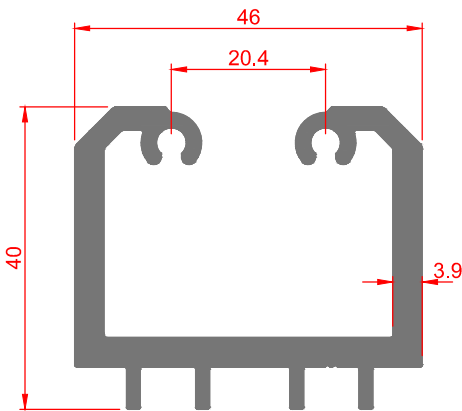
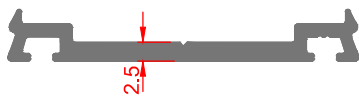
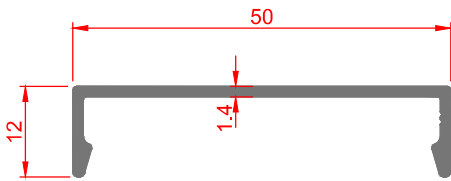
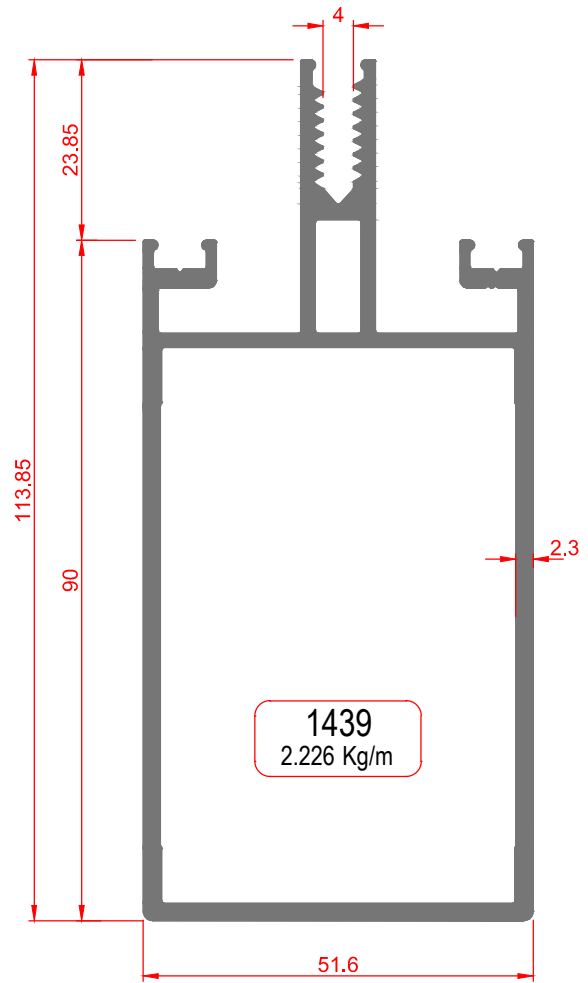
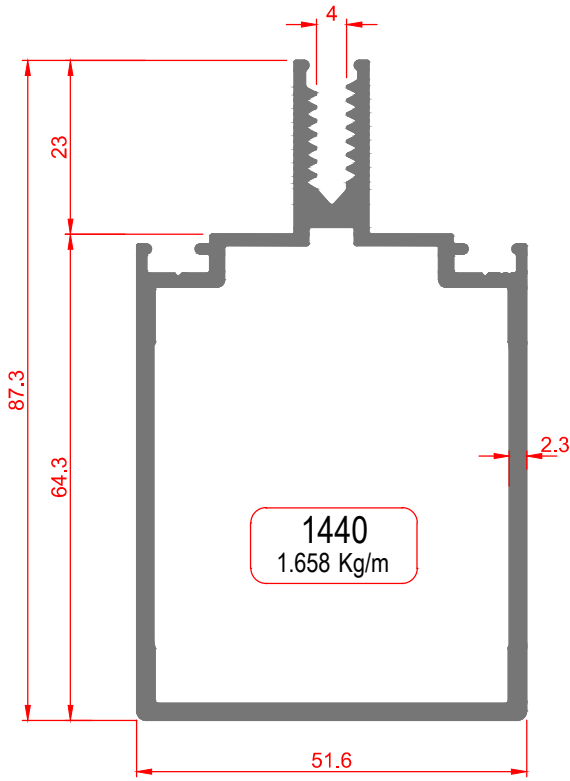


3130
0.664 Kg/m

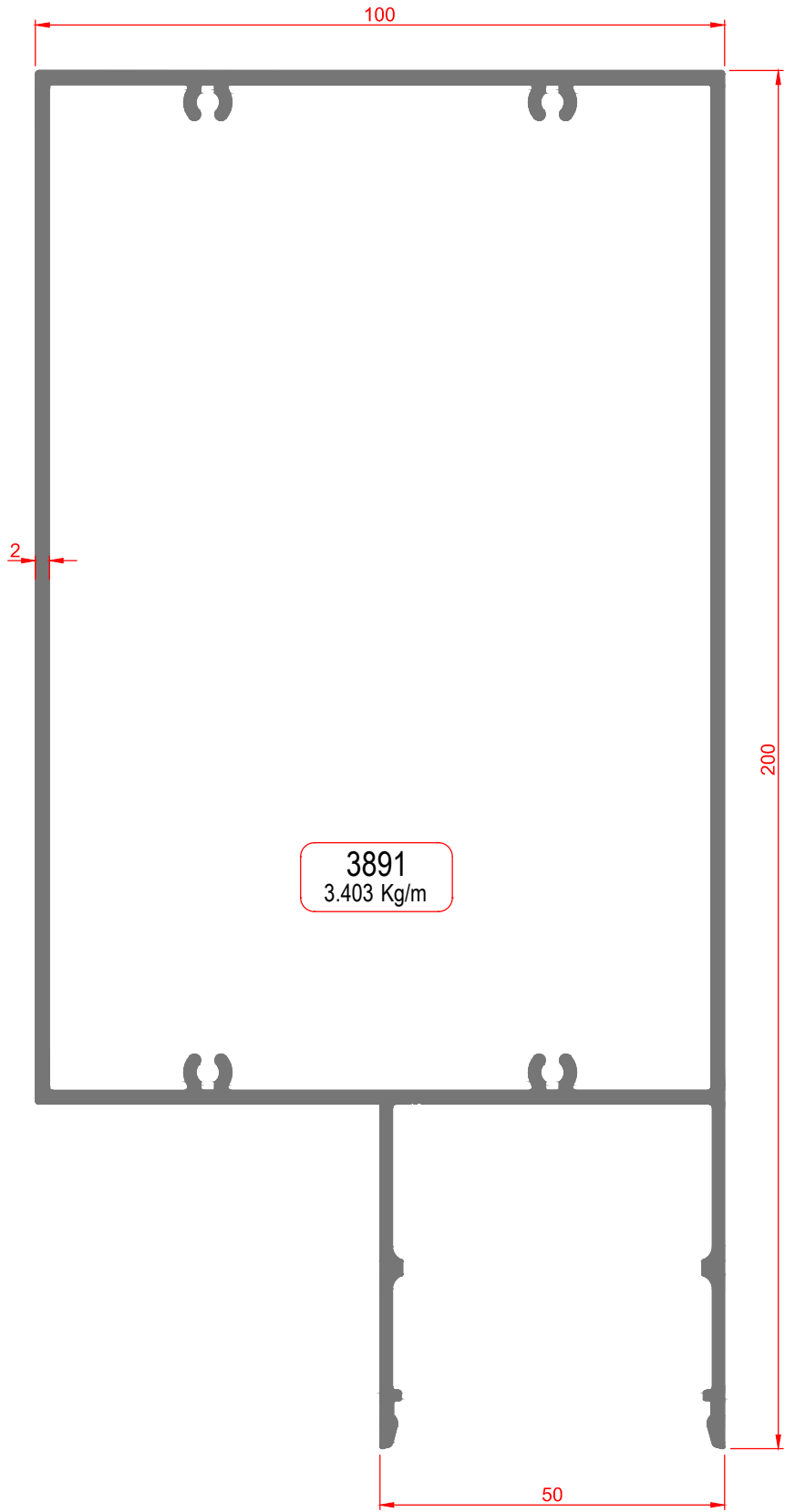
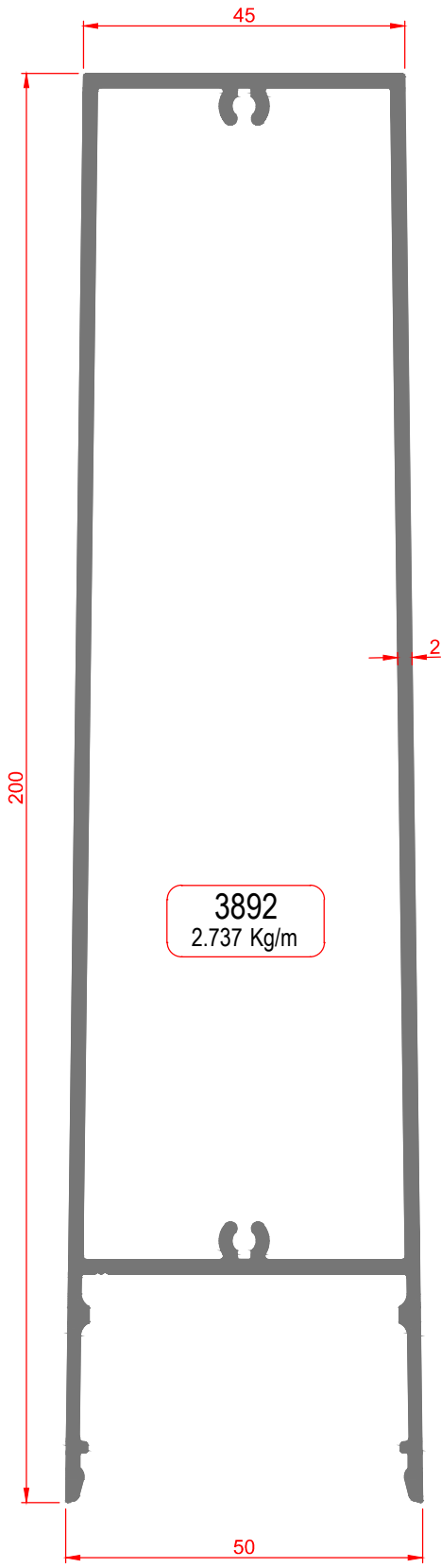
CEPHE SİSTEMLERİ-2



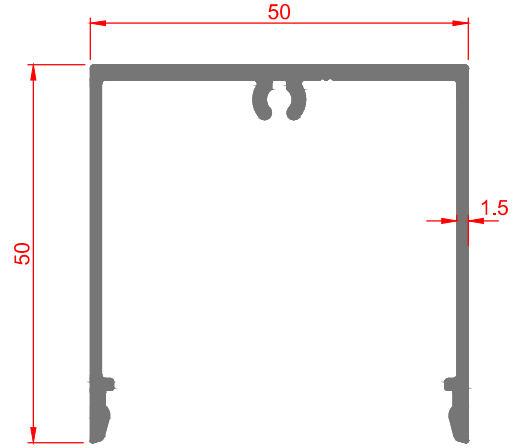
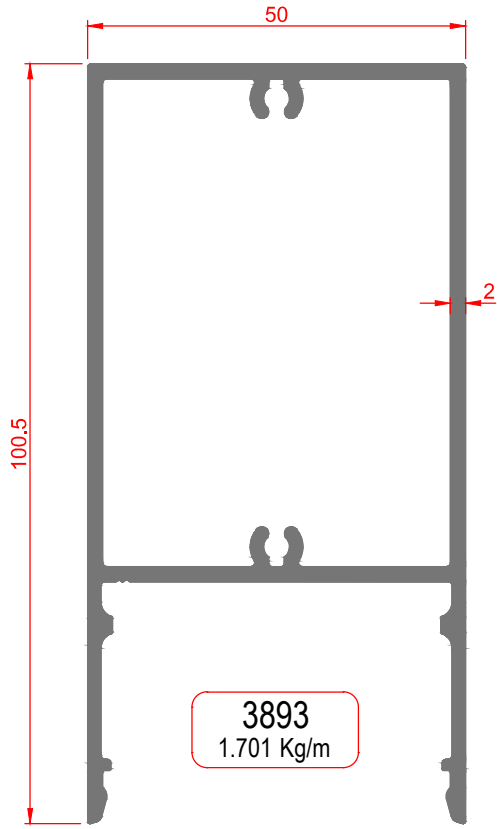
CEPHE SİSTEMLERİ-3



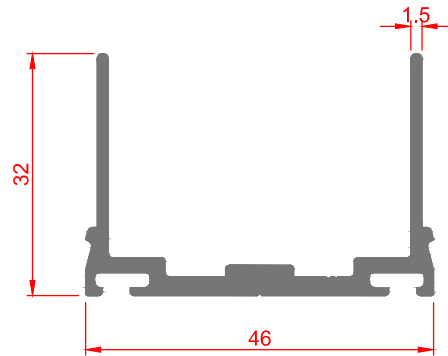
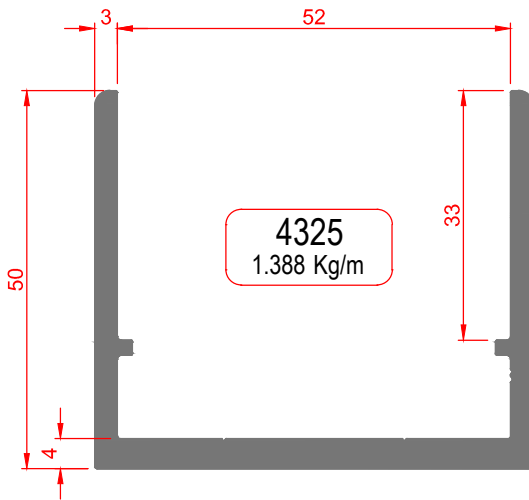
CEPHE SİSTEMLERİ



CEPHE SİSTEMLERİ

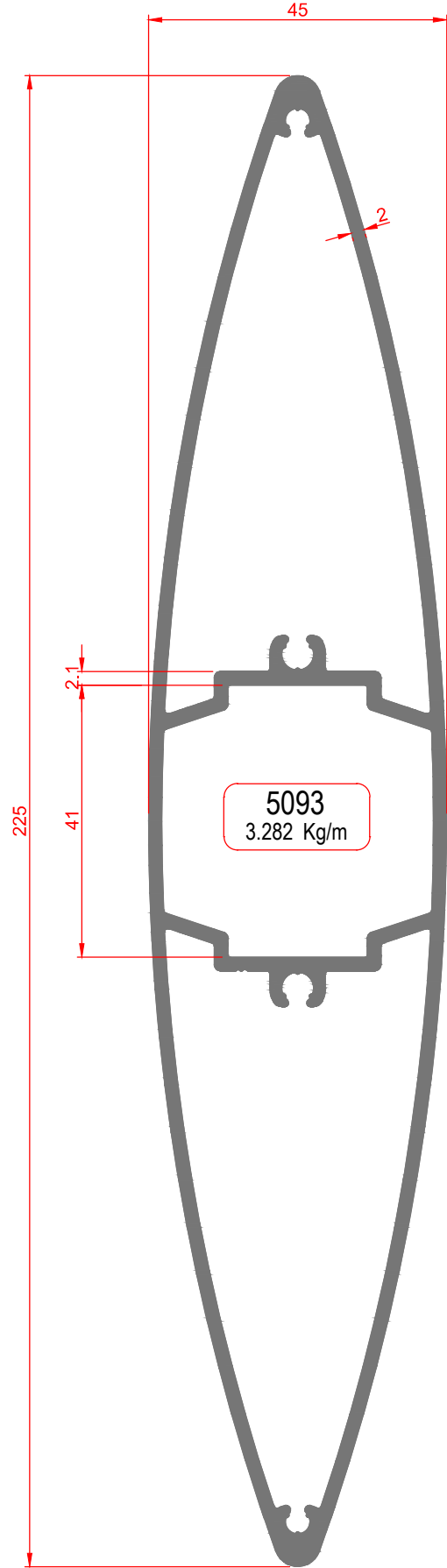
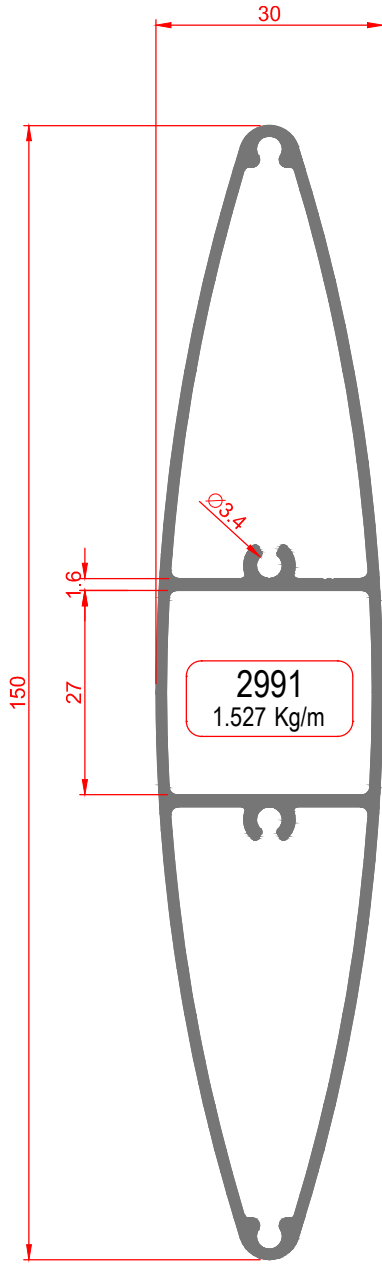


4278
0.747 Kg/m

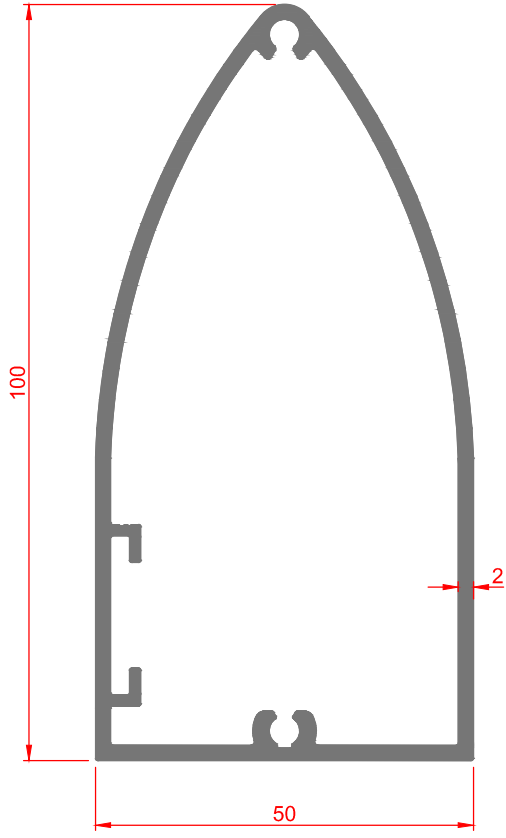


3887
0.629 Kg/m

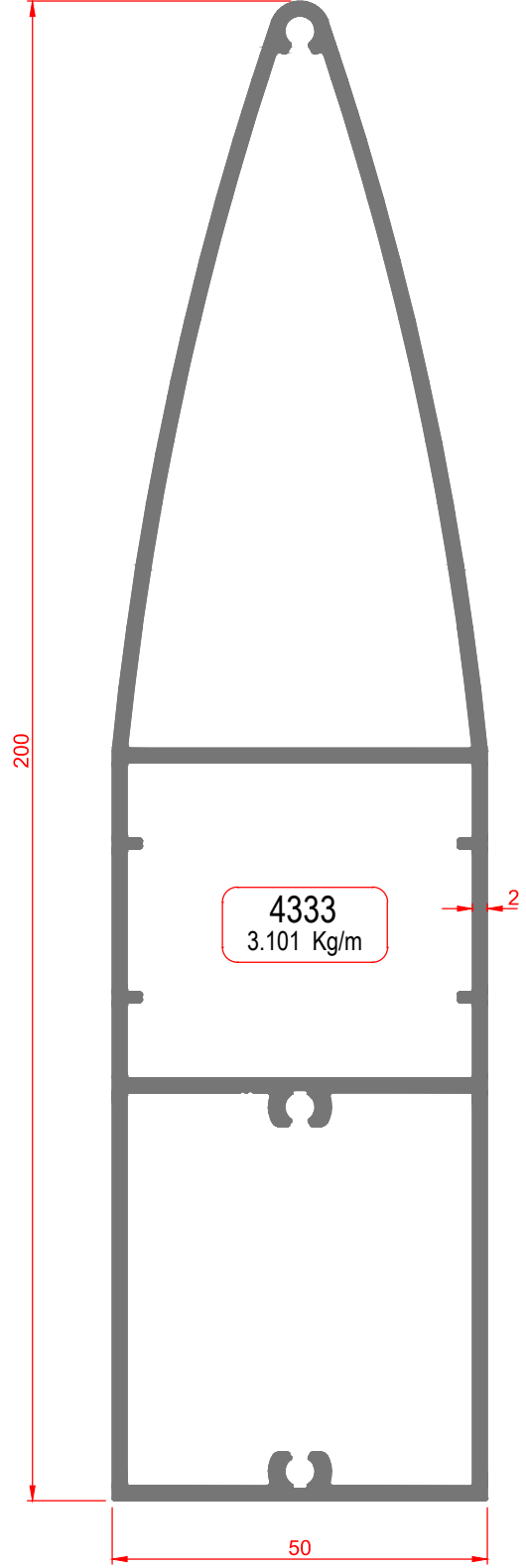
GÜNEŞ KIRICILAR



GÜNEŞ KIRICILAR

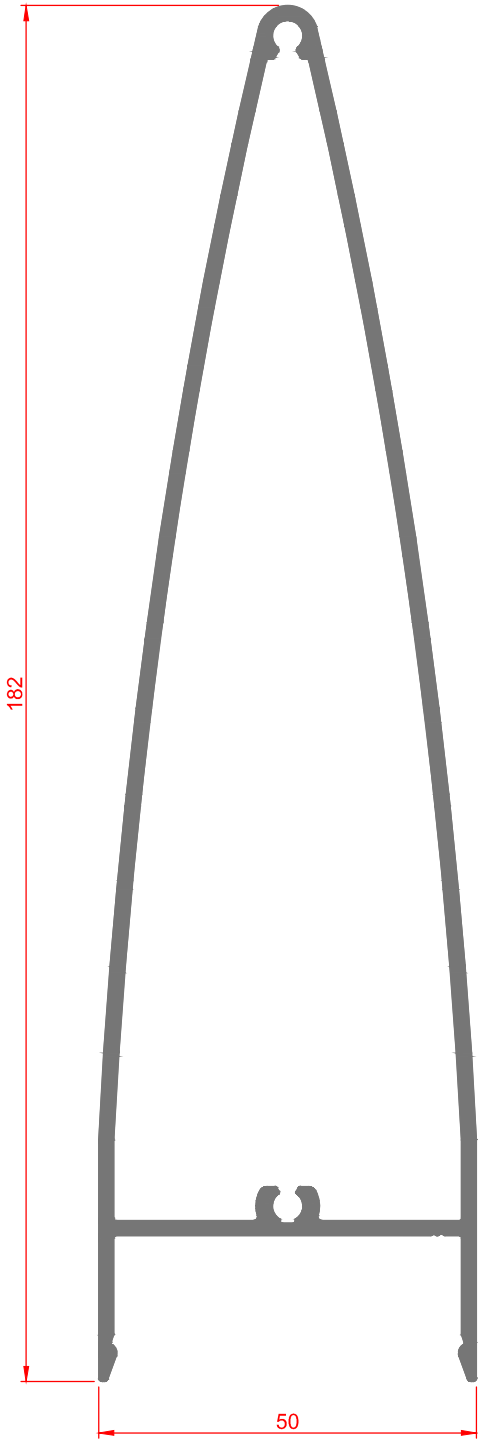


4332
1.535 Kg/m

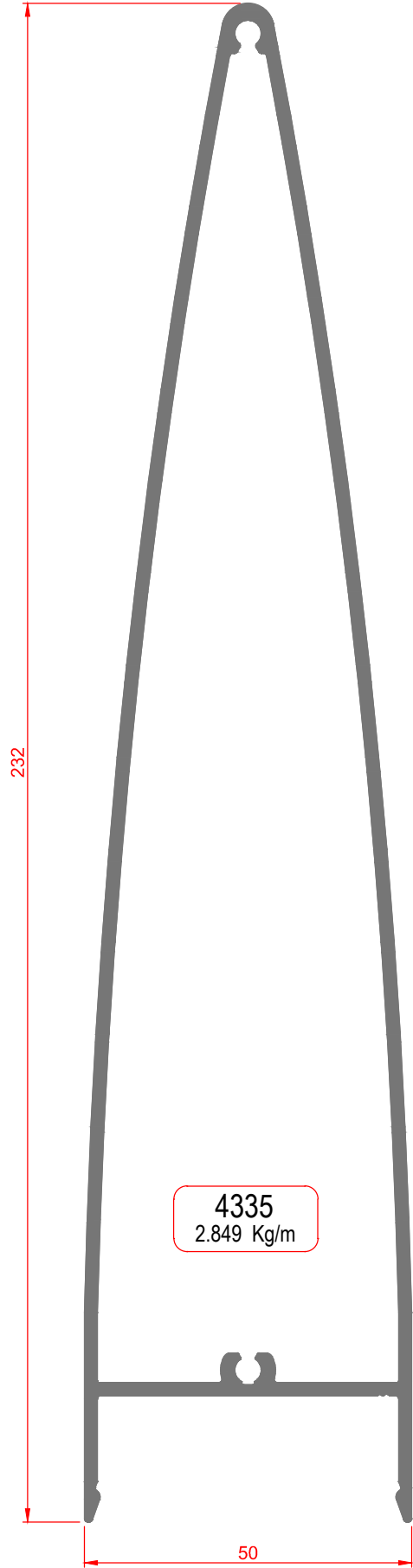


4333
3.101 Kg/m

GÜNEŞ KIRICILAR

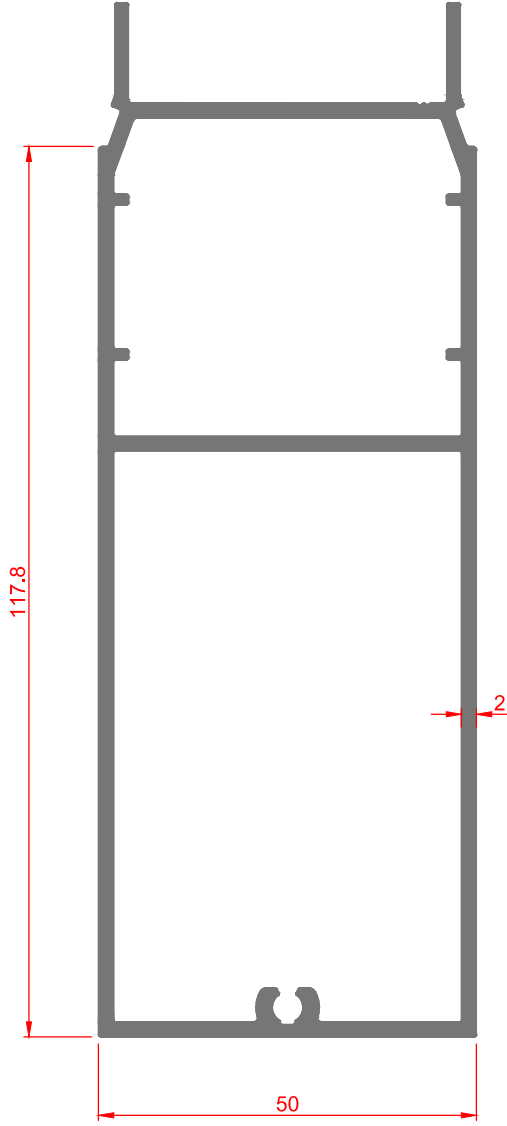


4334
2.305 Kg/m

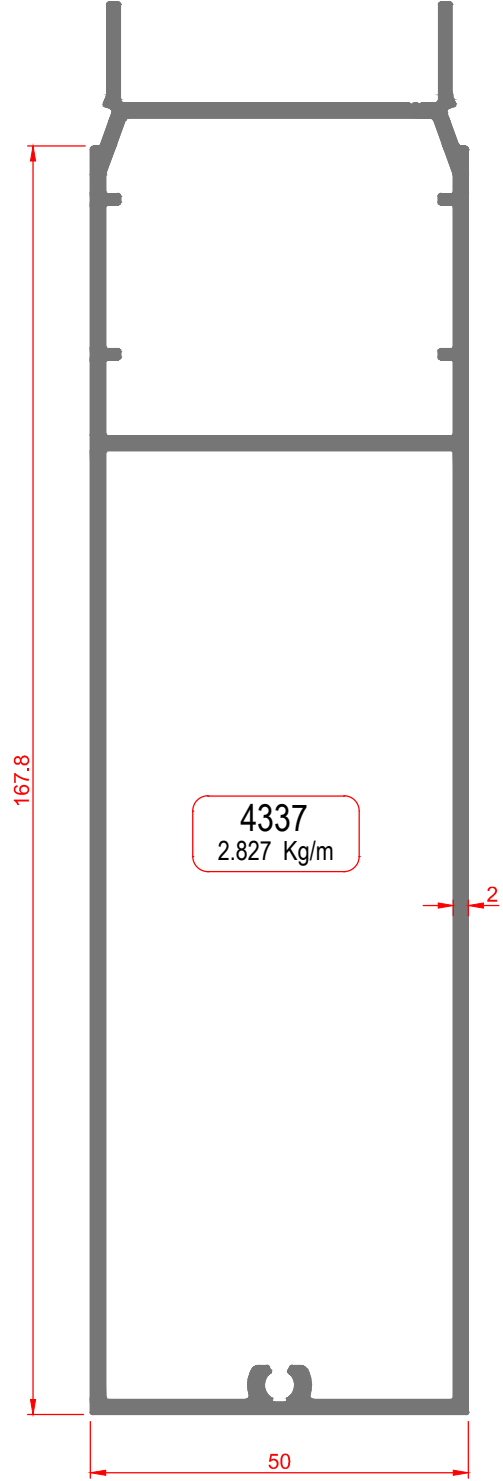


4335
2.849 Kg/m

GÜNEŞ KIRICILAR

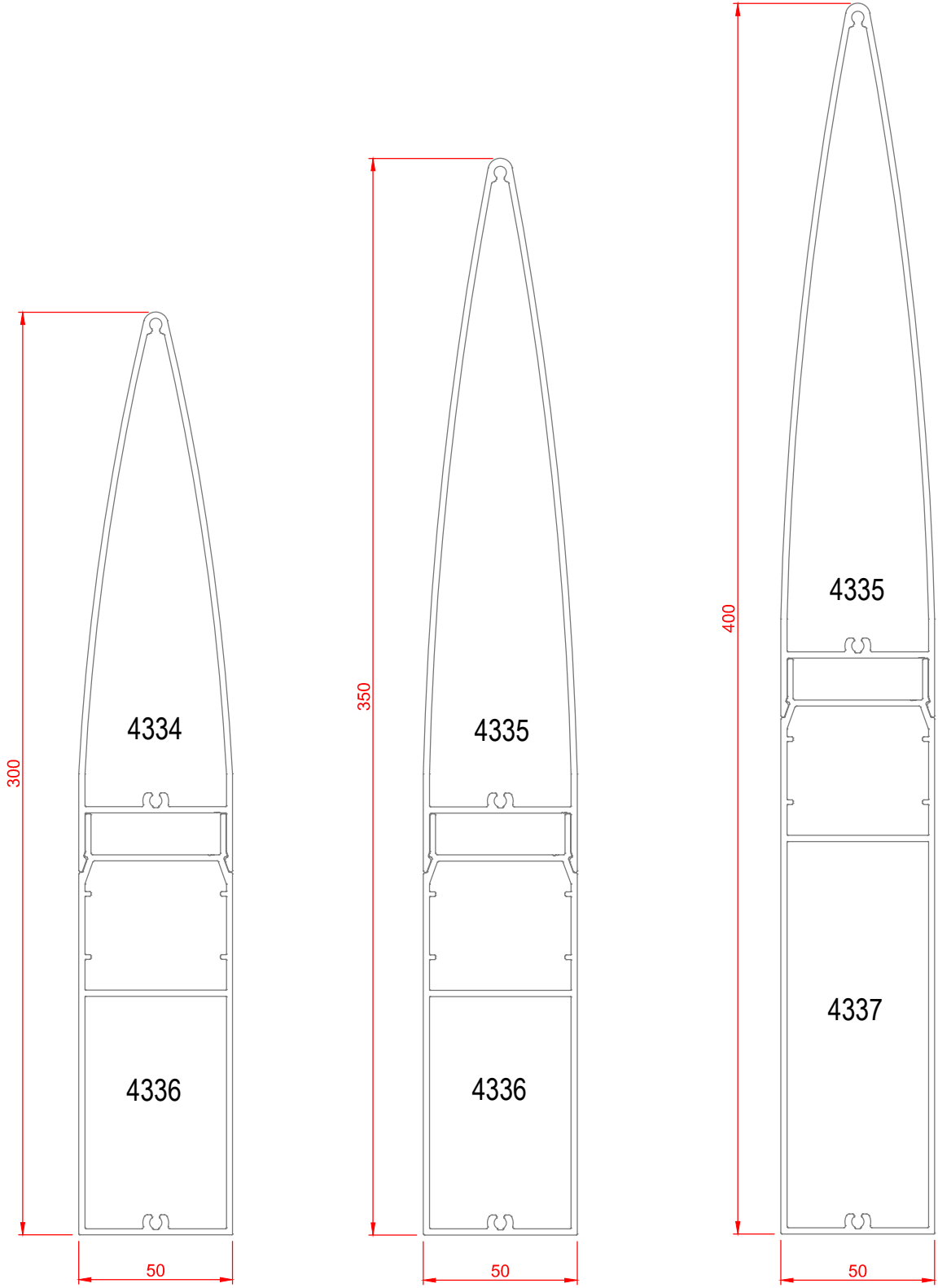


4336
2.287 Kg/m

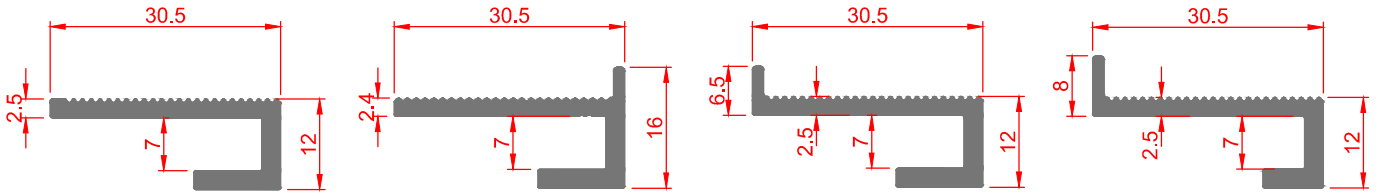


4337
2.827 Kg/m

GÜNEŞ KIRICILAR



KOMPOZİT PANEL ve SERAMİK CEPHE PROFİLLERİ

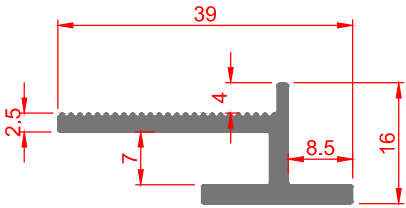


2143
0.313 Kg/m

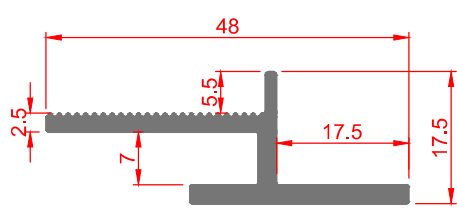
4310
0.326 Kg/m

2140
0.328 Kg/m

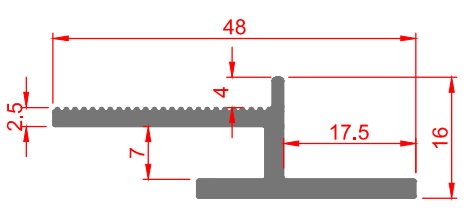
1490
0.310 Kg/m



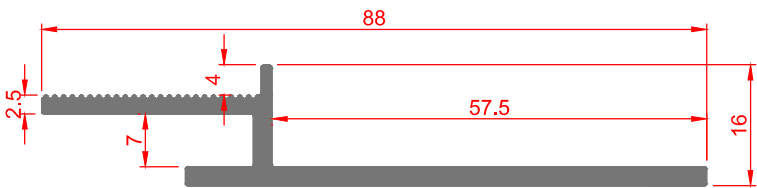
1747
0.385 Kg/m



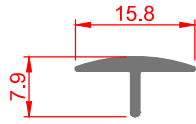
1495
0.452 Kg/m



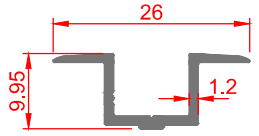
2141
0.446 Kg/m



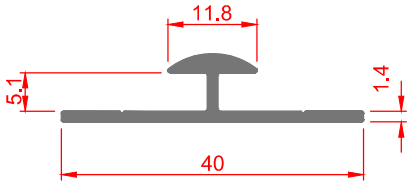
2531
0.716 Kg/m



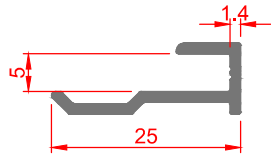
1633
0.080 Kg/m



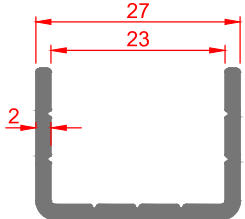
3532
0.132 Kg/m



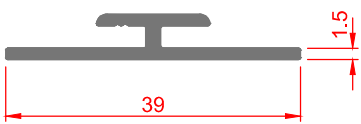
1098
0.229 Kg/m



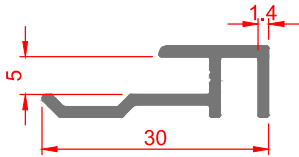
3025
0.155 Kg/m



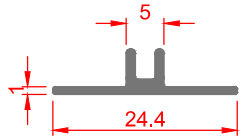
4313
0.327 Kg/m



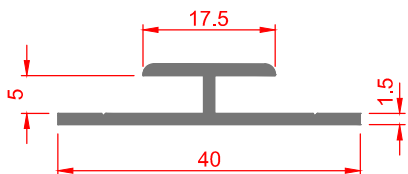
2559
0.232 Kg/m



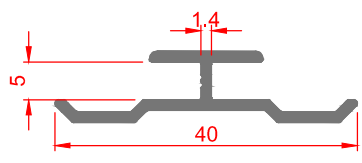
3024
0.202 Kg/m



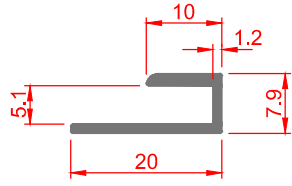
1634
0.105 Kg/m



1261
0.250 Kg/m

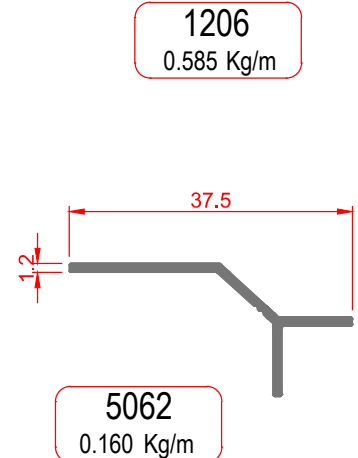
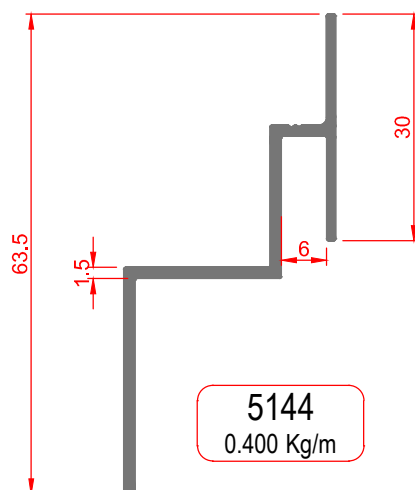
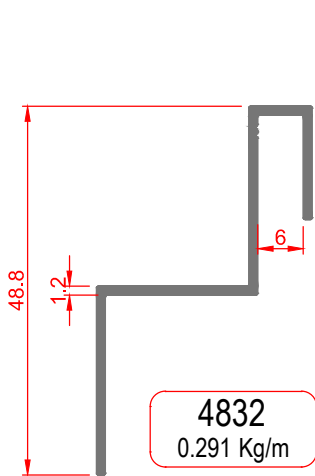
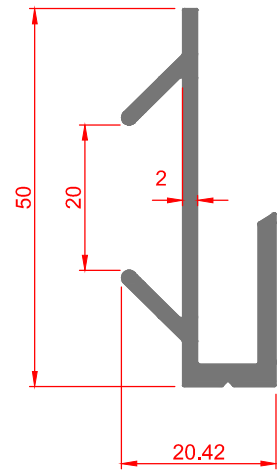
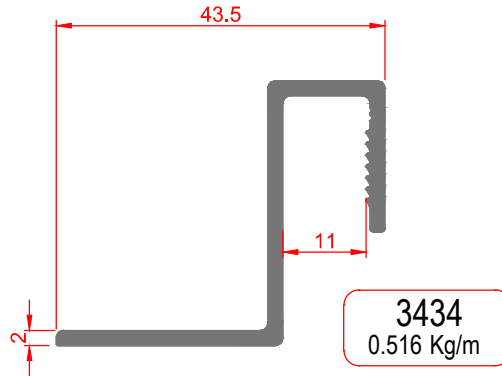
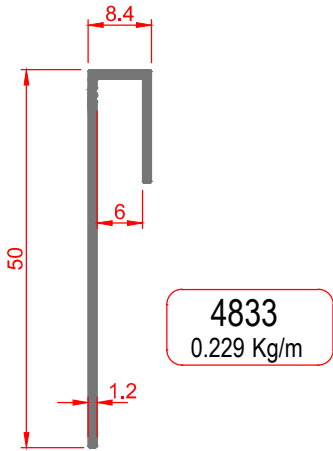
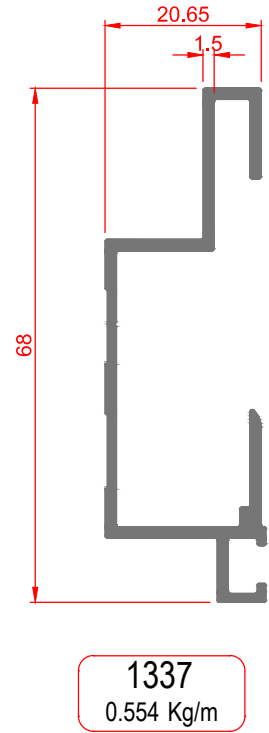
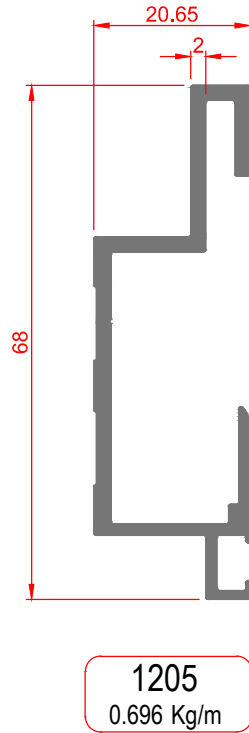
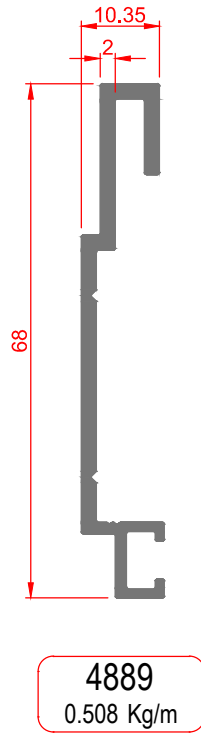
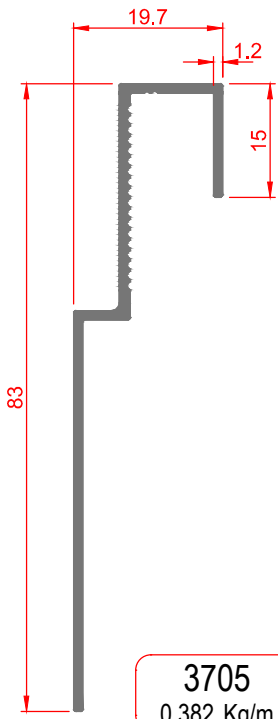


3023
0.234 Kg/m

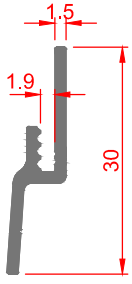


1099
0.123 Kg/m

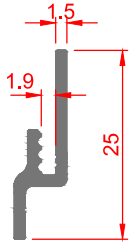
KOMPOZİT PANEL ve SERAMİK CEPHE PROFİLLERİ



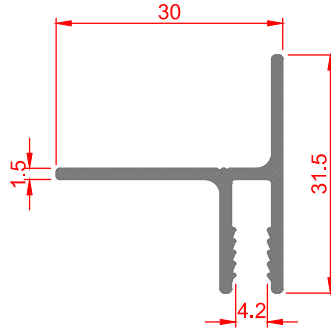
KOMPOZİT PANEL ve SERAMİK CEPHE PROFİLLERİ



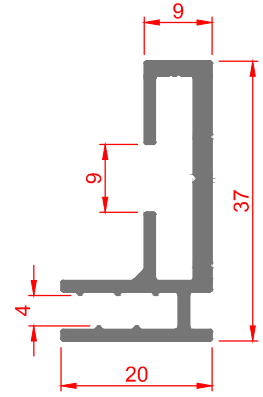
4887
0.168 Kg/m



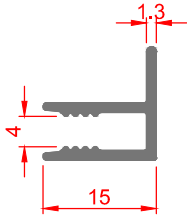
5115
0.148 Kg/m



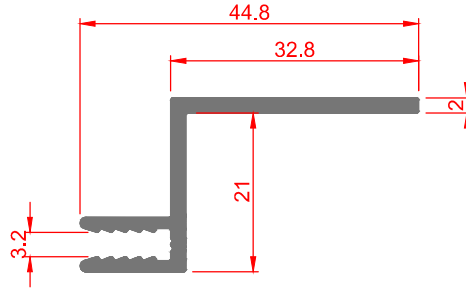
2022
0.319 Kg/m



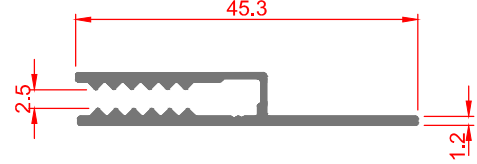
2441
0.492 Kg/m



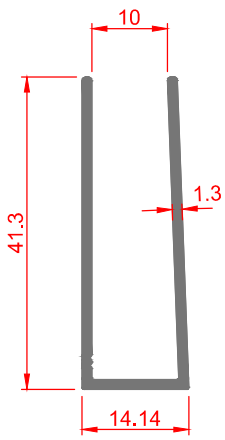
1378
0.153 Kg/m



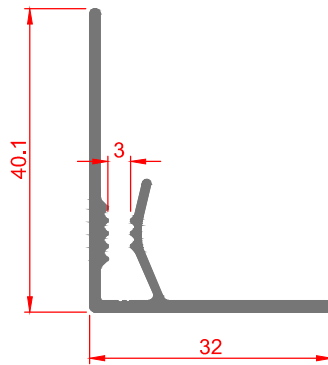
4836
0.400 Kg/m



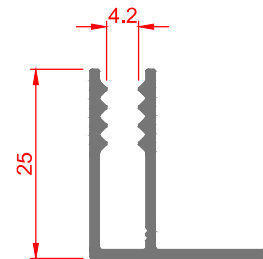
3766
0.272 Kg/m



3778
0.329 Kg/m

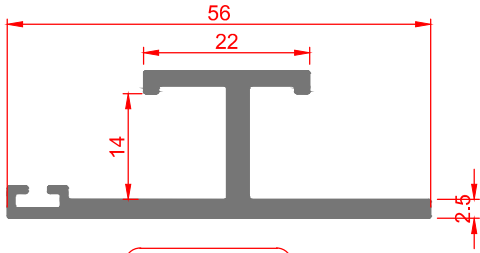


4886
0.340 Kg/m

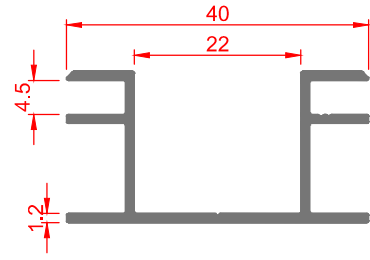


4314
0.255 Kg/m

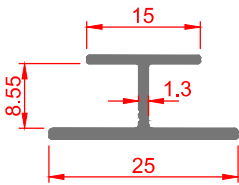
KOMPOZİT PANEL ve SERAMİK CEPHE PROFİLLERİ



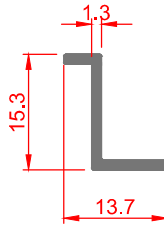
2142
0.630 Kg/m



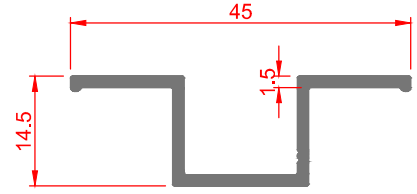
2862
0.350 Kg/m



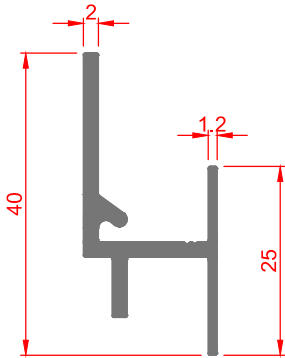
2963
0.168 Kg/m



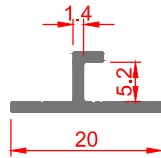
4834
0.097 Kg/m



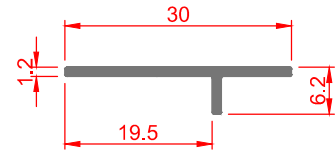
4888
0.290 Kg/m



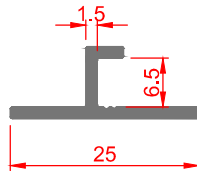
3433
0.373 Kg/m



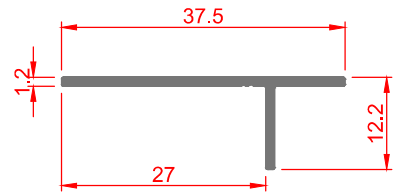
3806
0.109 Kg/m



5204
0.113 Kg/m

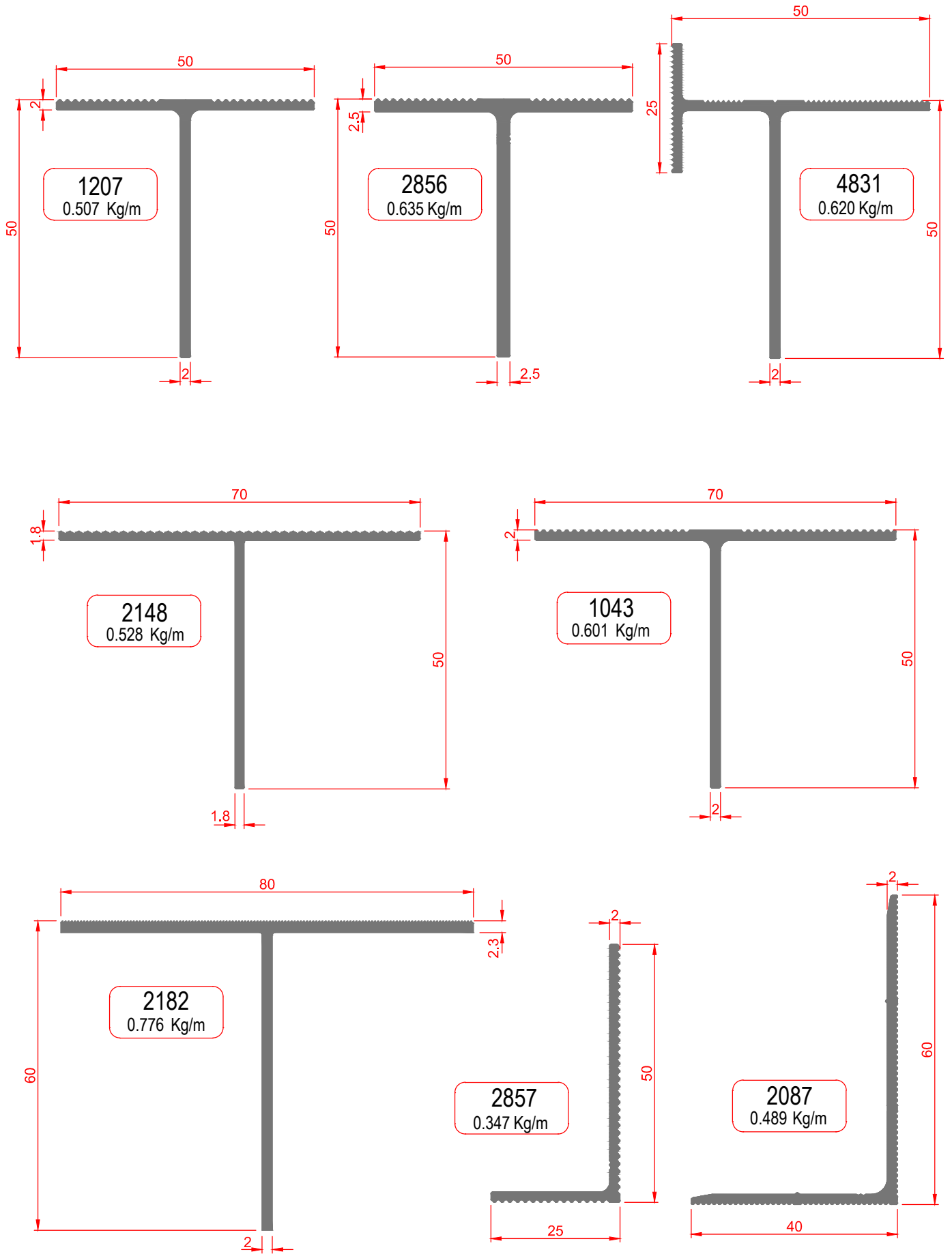


3432
0.147 Kg/m

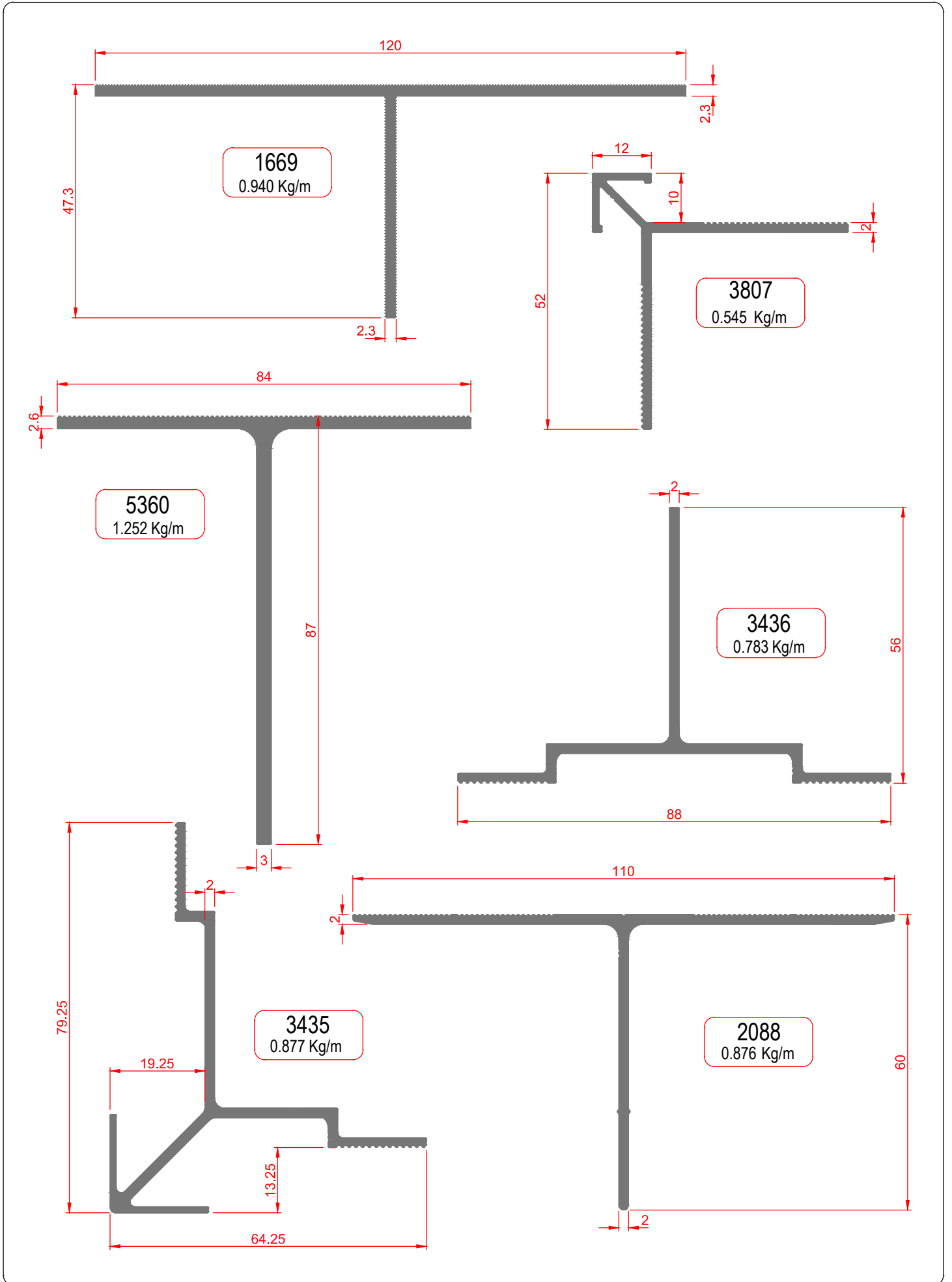


5063
0.157 Kg/m

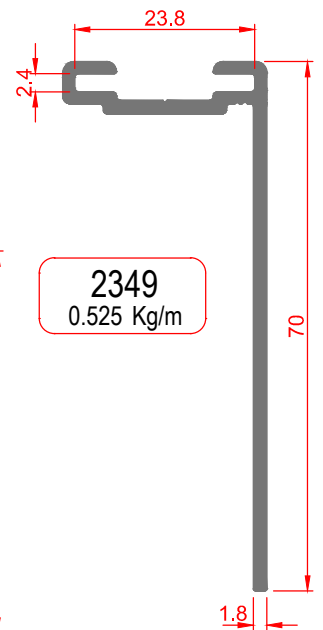
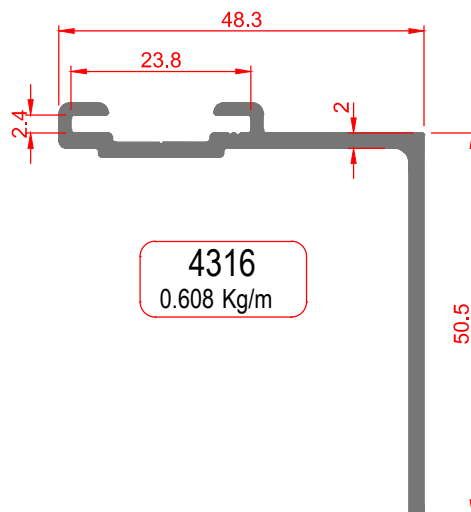
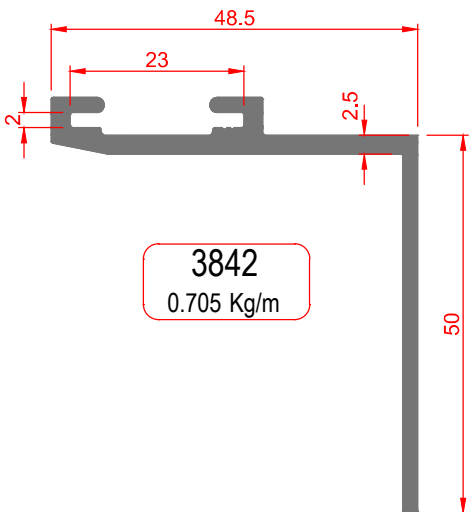
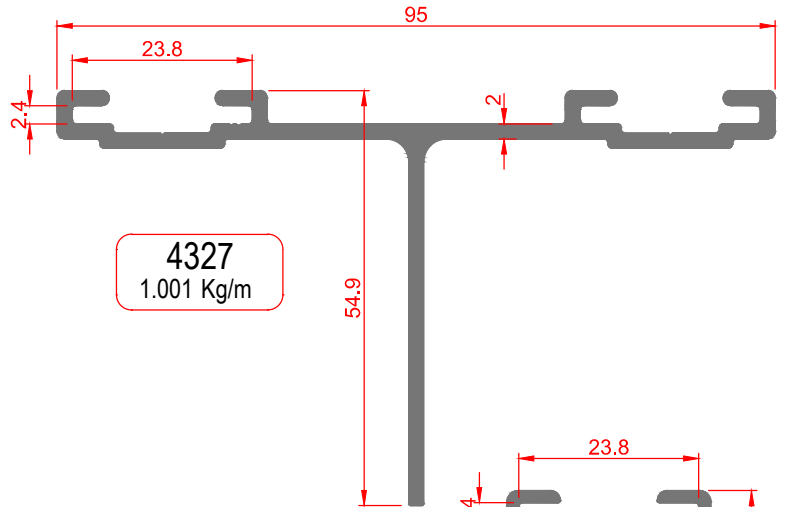
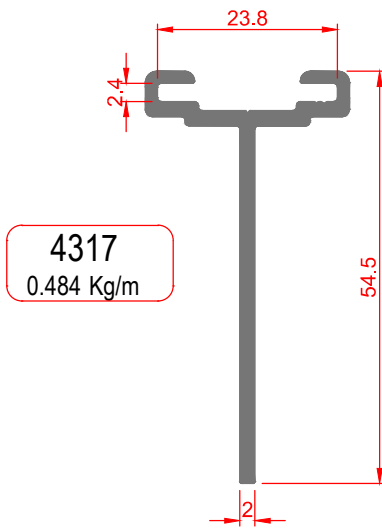
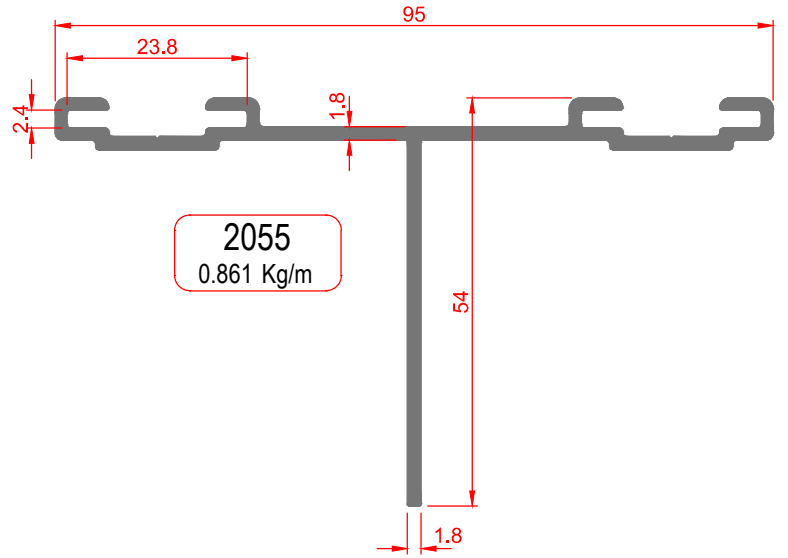
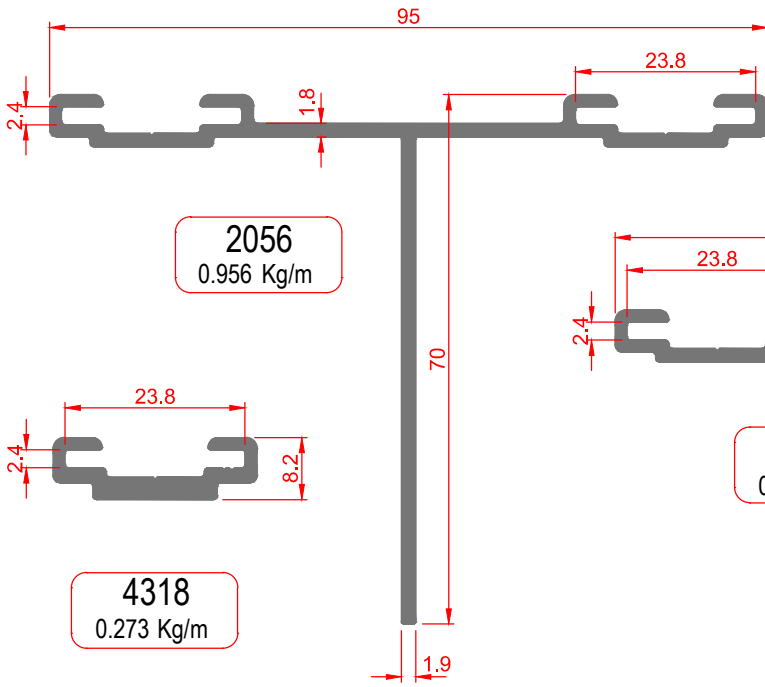
KOMPOZİT PANEL ve SERAMİK CEPHE PROFİLLERİ



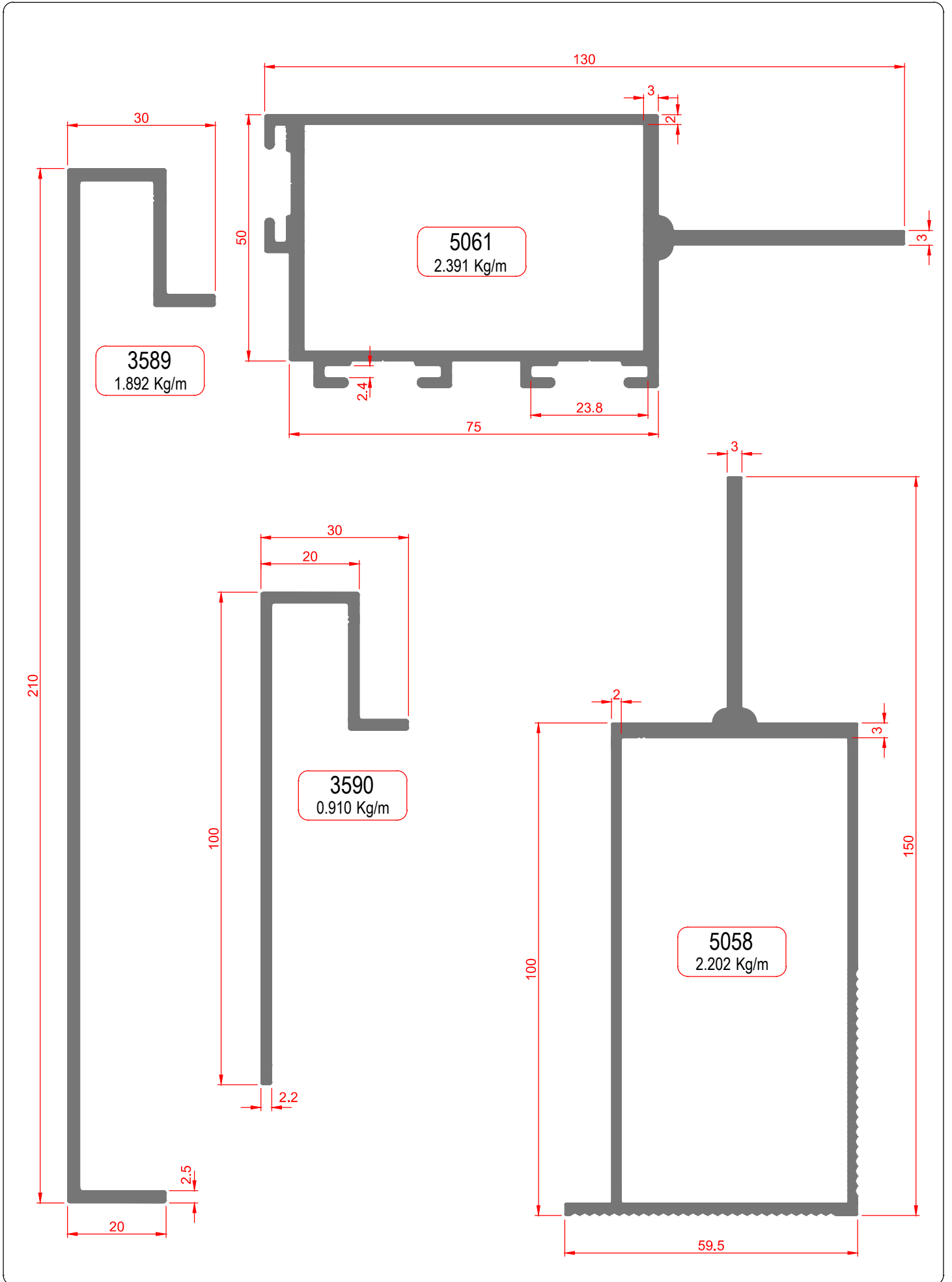
KOMPOZİT PANEL ve SERAMİK CEPHE PROFİLLERİ



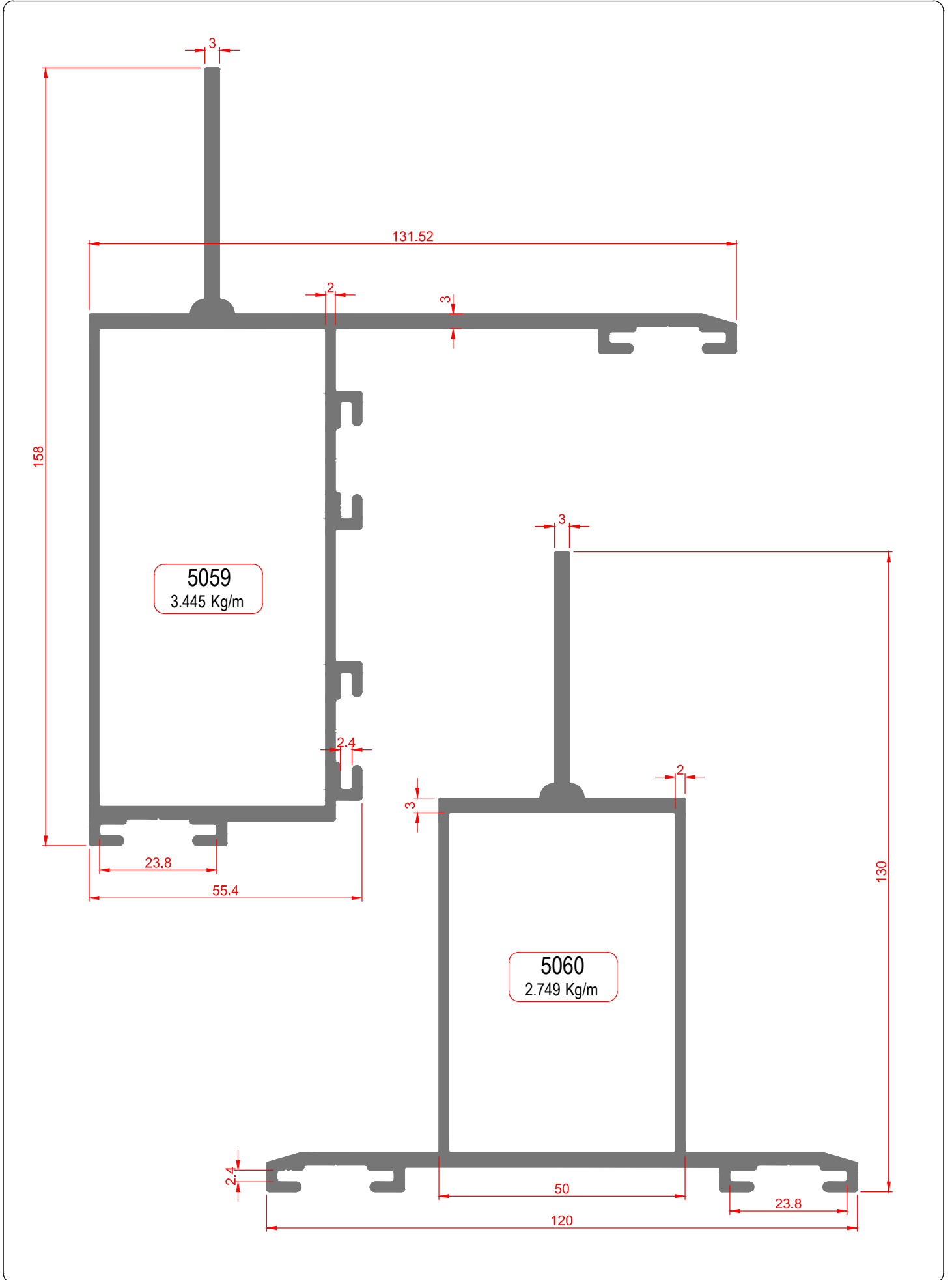
KOMPOZİT PANEL ve SERAMİK CEPHE PROFİLLERİ



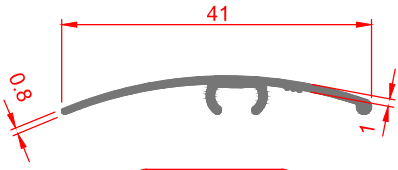
KOMPOZİT PANEL ve SERAMİK CEPHE PROFİLLERİ



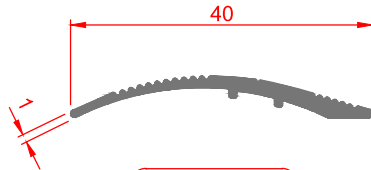
KOMPOZİT PANEL ve SERAMİK CEPHE PROFİLLERİ



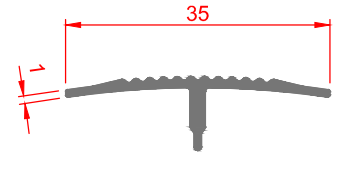
SERAMİK ve TABAN PROFİLLERİ



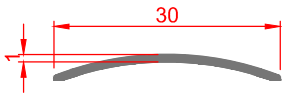
1636
0.145 Kg/m



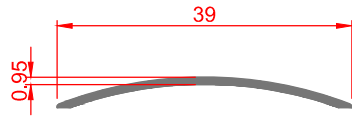
1635
0.172 Kg/m



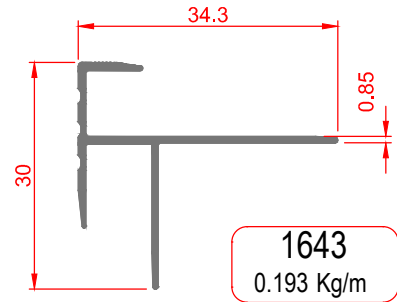
1642
0.153 Kg/m



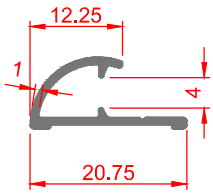
1641
0.080 Kg/m



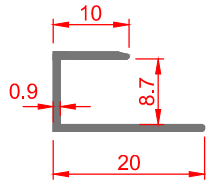
1640
0.099 Kg/m



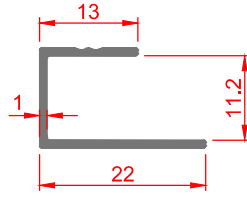
1643
0.193 Kg/m



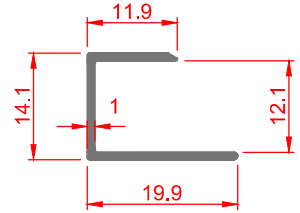
1649
0.110 Kg/m



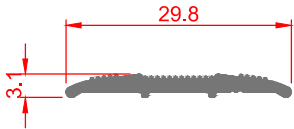
1822
0.093 Kg/m



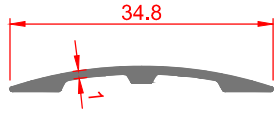
1093
0.123 Kg/m



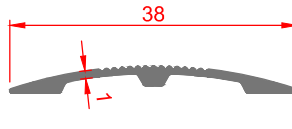
1648
0.117 Kg/m



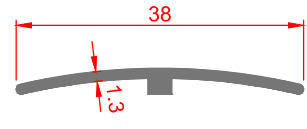
3518
0.155 Kg/m



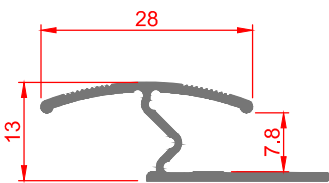
1638
0.124 Kg/m



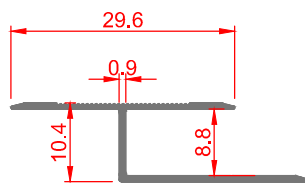
1639
0.132 Kg/m



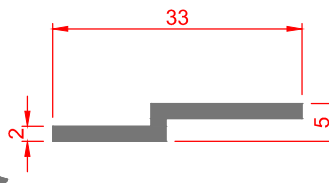
2183
0.151 Kg/m



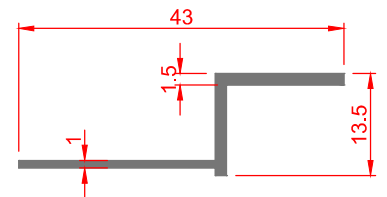
4810
0.192 Kg/m



1644
0.129 Kg/m

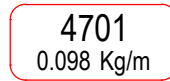
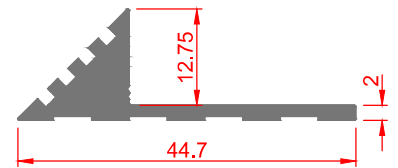
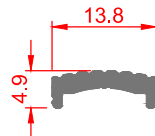
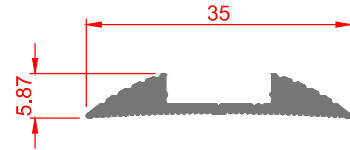
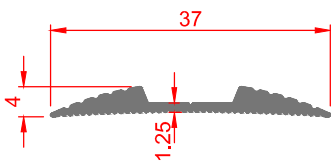
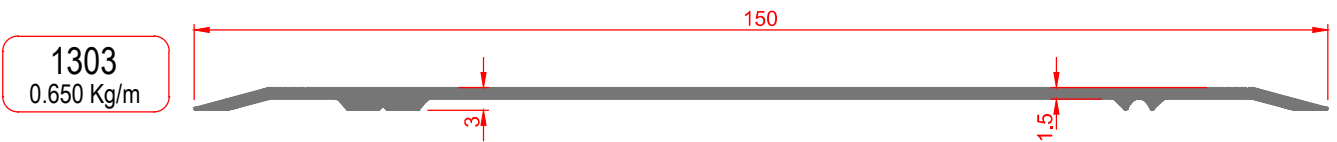
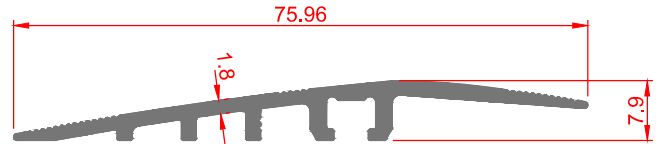
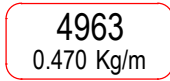
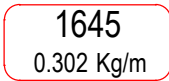
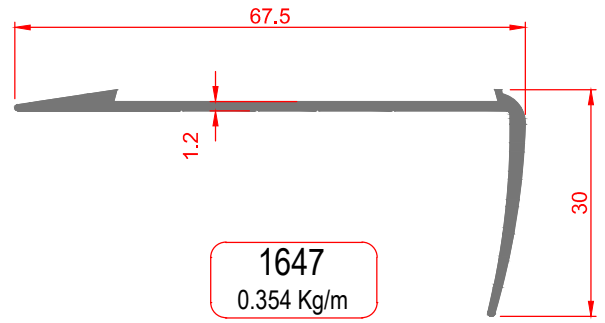
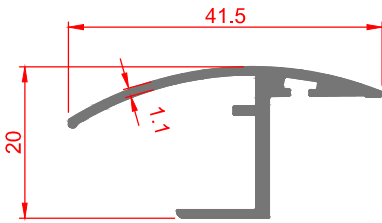
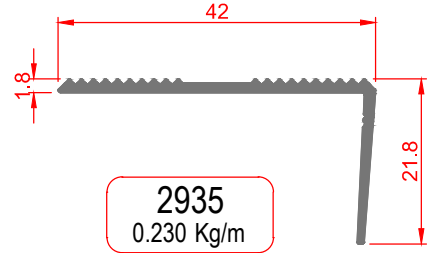
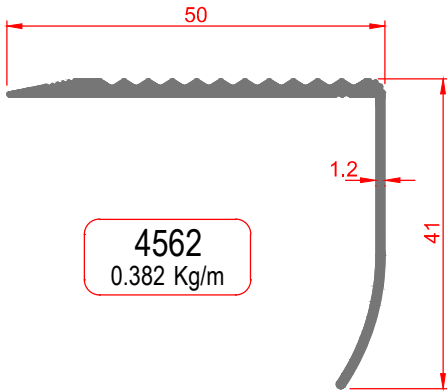
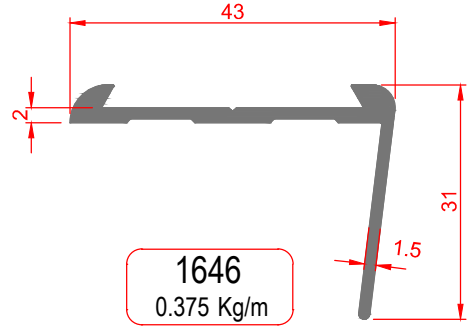
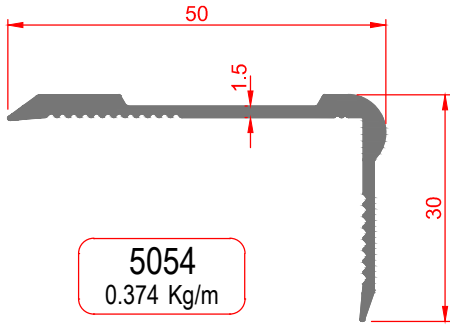


1448
0.194 Kg/m

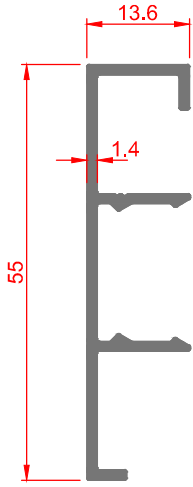


1040
0.188 Kg/m

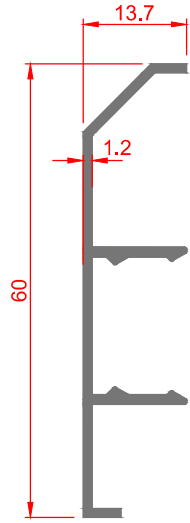
SERAMİK ve TABAN PROFİLLERİ



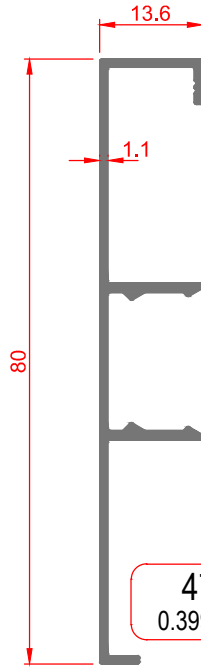
SÜPÜRGELİK ve KABLO KANALI PROFİLLERİ



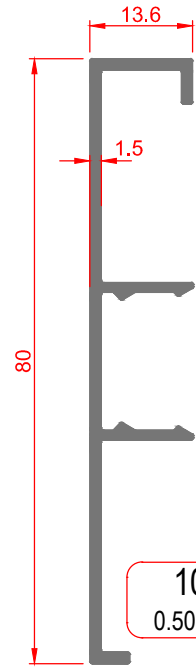
2219
0.382 Kg/m



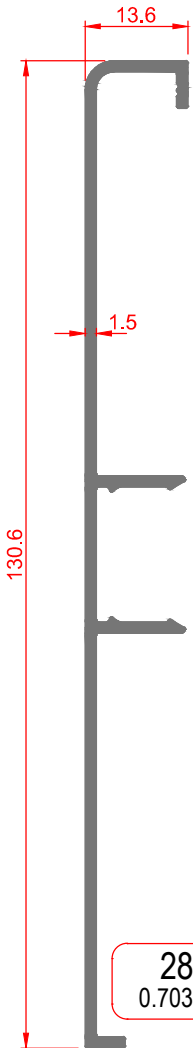
1184
0.328 Kg/m



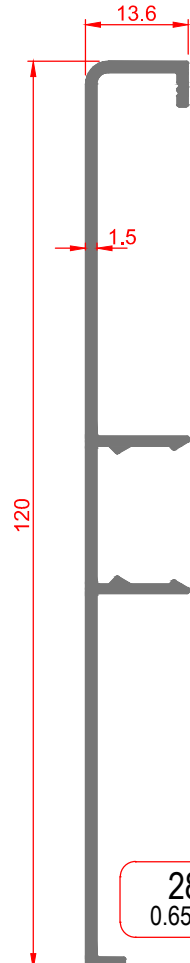
4797
0.399 Kg/m



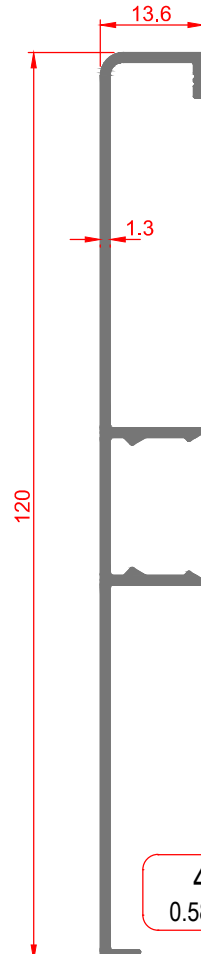
1086
0.501 Kg/m



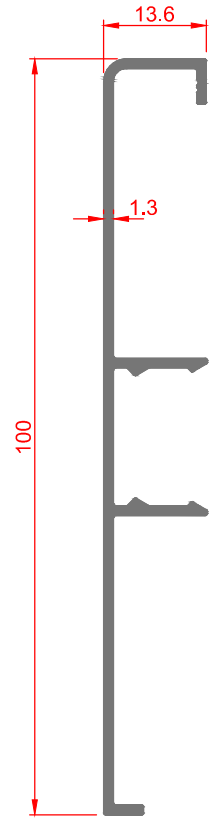
2866
0.703 Kg/m



2865
0.659 Kg/m

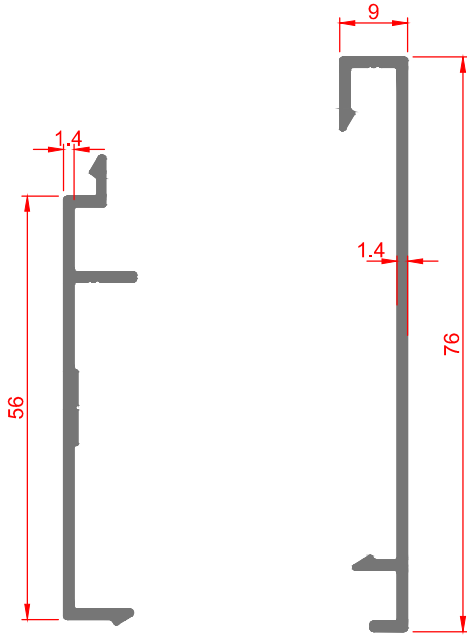


4629
0.587 Kg/m



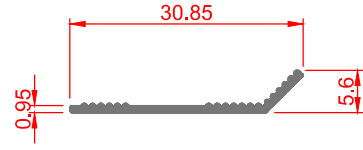
4628
0.517 Kg/m

SÜPÜRGELİK ve KABLO KANALI PROFİLLERİ

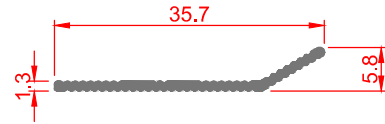


2479
0.322 Kg/m

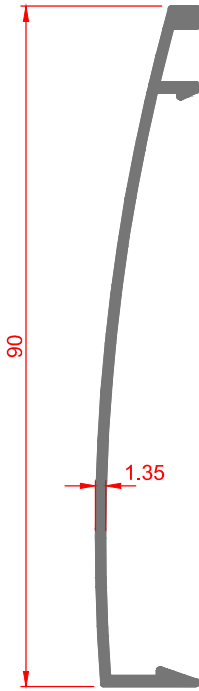
2478
0.382 Kg/m



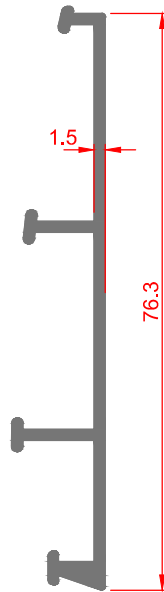
4685
0.092 Kg/m



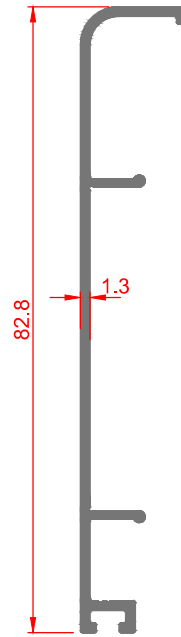
2013
0.112 Kg/m



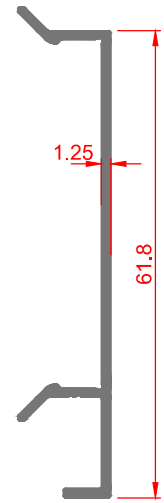
1185
0.433 Kg/m



1186
0.487 Kg/m

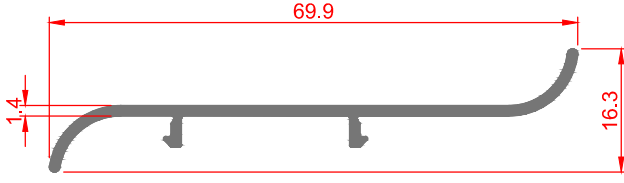


3318
0.414 Kg/m

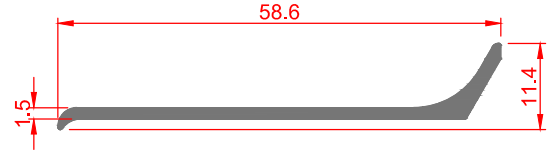


3319
0.307 Kg/m

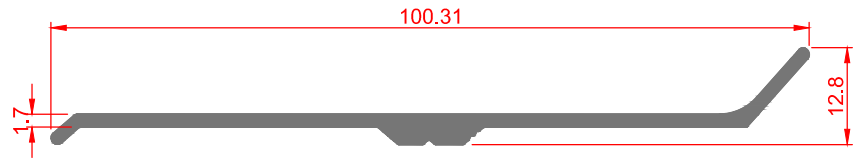
SÜPÜRGELİK ve KABLO KANALI PROFİLLERİ



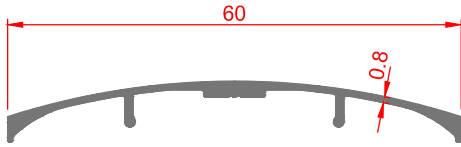
1681
0.327 Kg/m



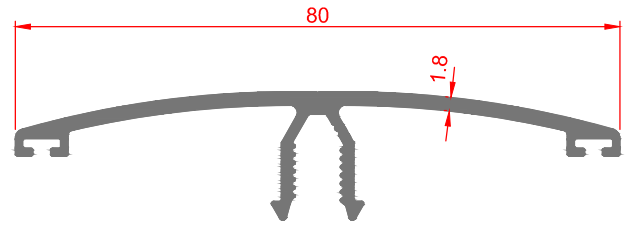
1951
0.280 Kg/m



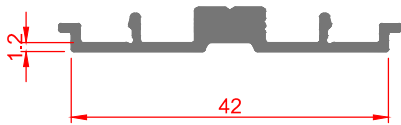
2150
0.553 Kg/m



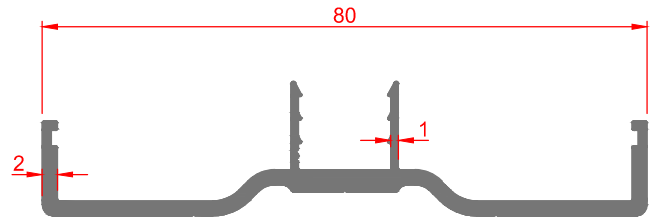
2000
0.224 Kg/m



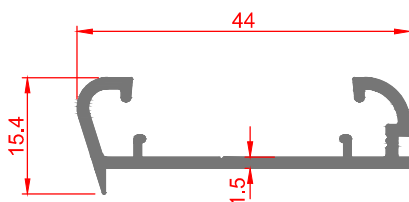
2413
0.573 Kg/m



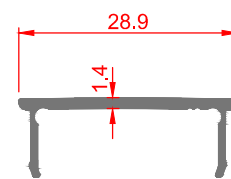
2001
0.280 Kg/m



2412
0.649 Kg/m

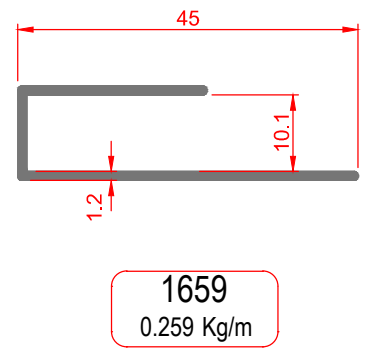
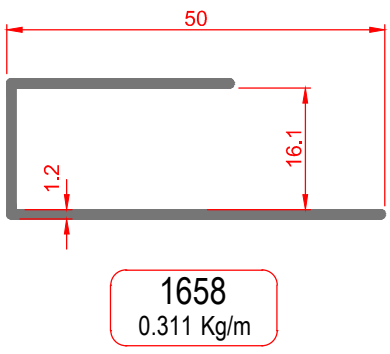
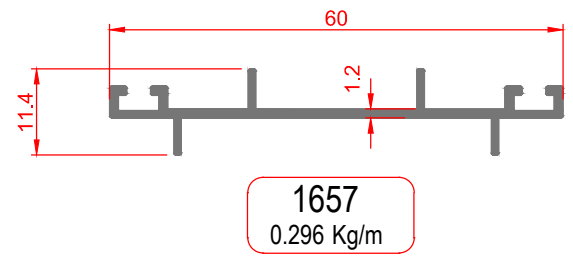
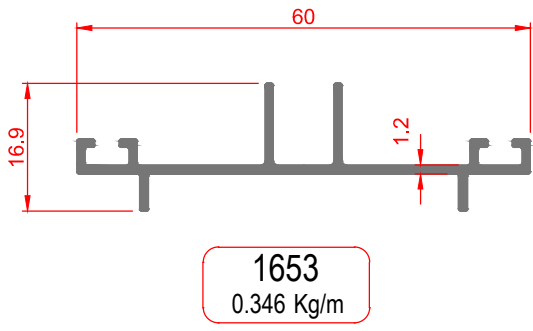
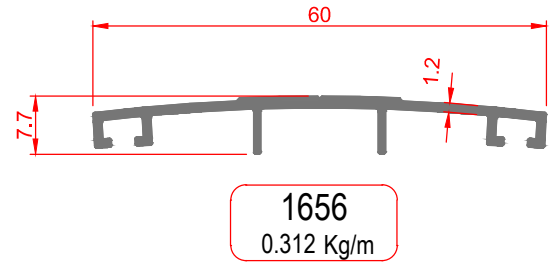
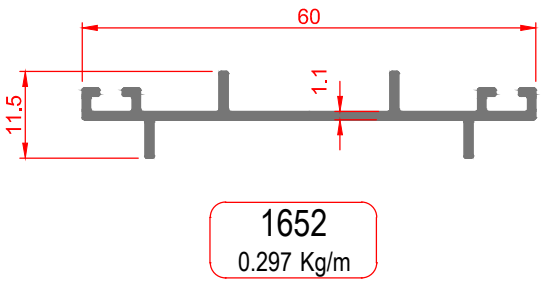
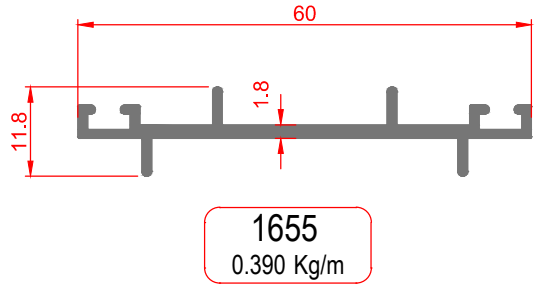
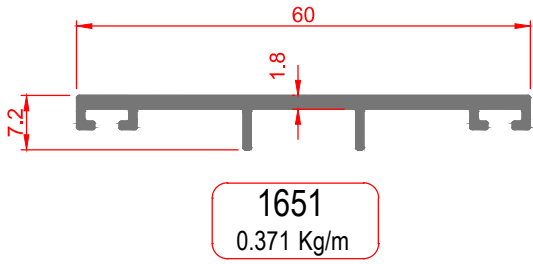
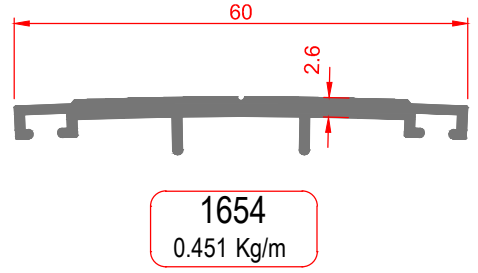
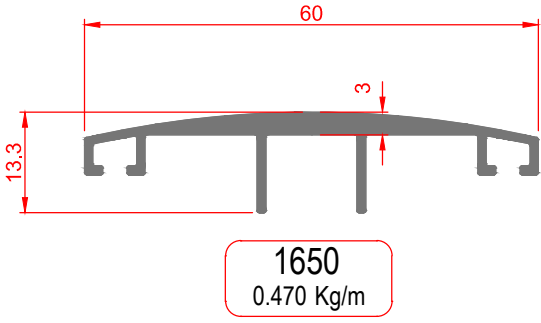


2640
0.332 Kg/m

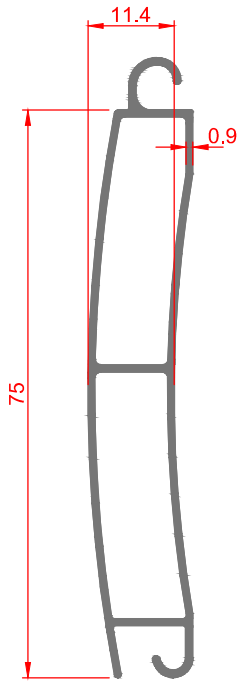


2639
0.147 Kg/m

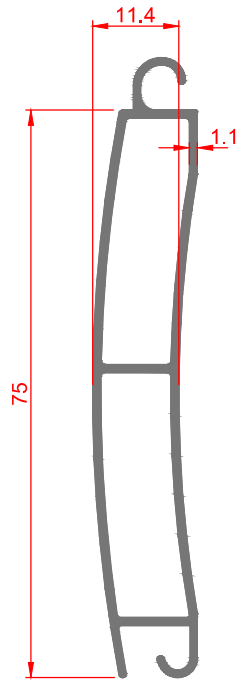
POLİKARBON PROFİLLERİ



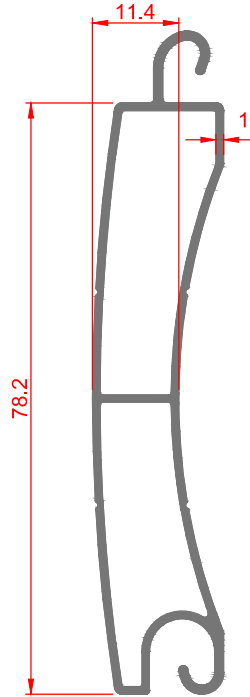
PANJUR-SİNEKLİK-HAVALANDIRMA PROFİLLERİ



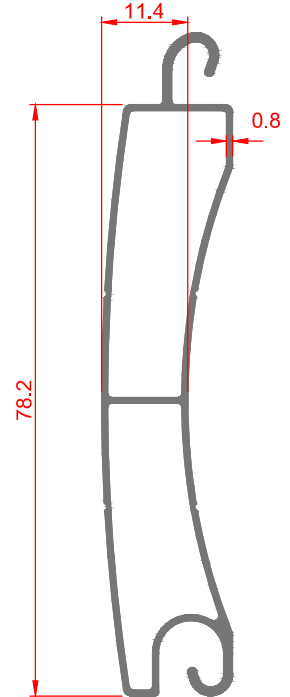
1237
0.489 Kg/m



1664
0.573 Kg/m



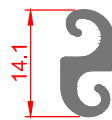
1661
0.619 Kg/m



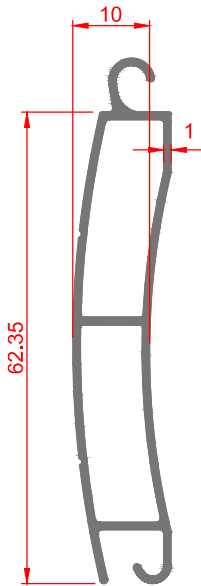
1662
0.520 Kg/m



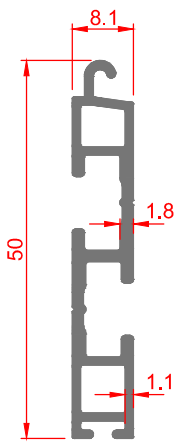
1307
0.128 Kg/m



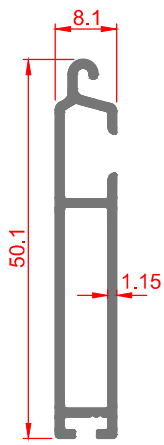
1310
0.129 Kg/m



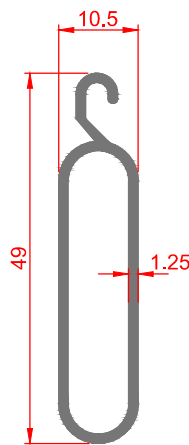
1663
0.454 Kg/m



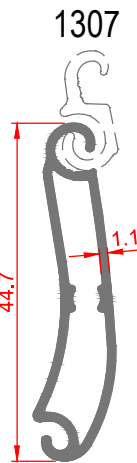
1665
0.407 Kg/m



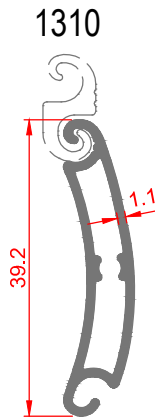
1308
0.346 Kg/m



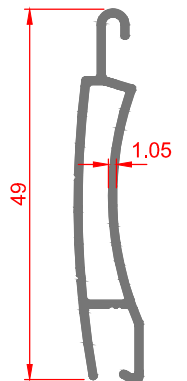
1666
0.348 Kg/m



1306
0.321 Kg/m

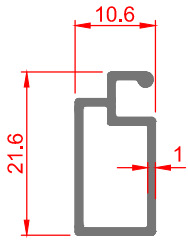


1309
0.274 Kg/m

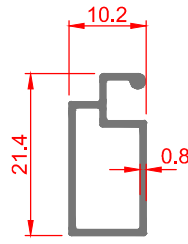


4504
0.300 Kg/m

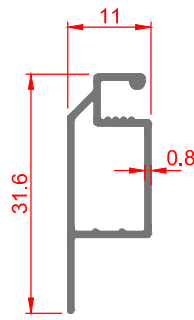
PANJUR-SİNEKLİK-HAVALANDIRMA PROFİLLERİ



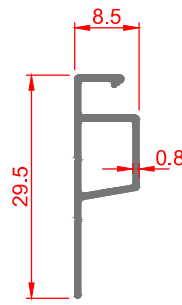
1668
0.170 Kg/m



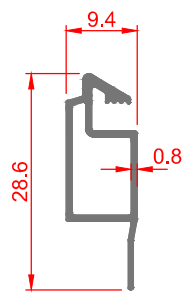
1409
0.138 Kg/m



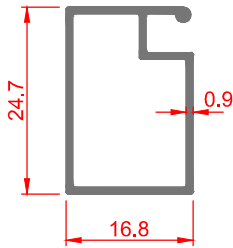
1670
0.167 Kg/m



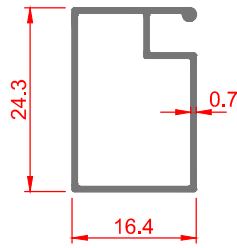
1671
0.129 Kg/m



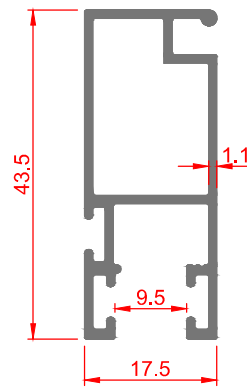
1672
0.152 Kg/m



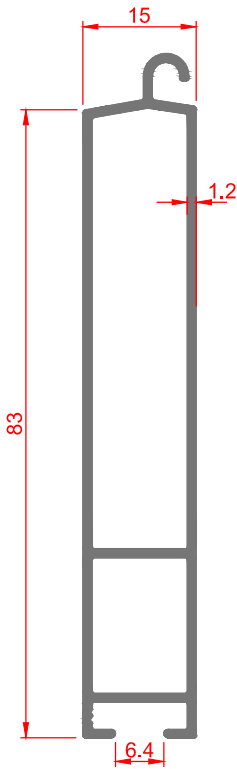
1673
0.212 Kg/m



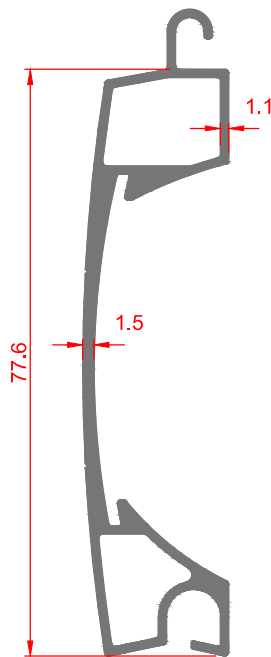
1410
0.164 Kg/m



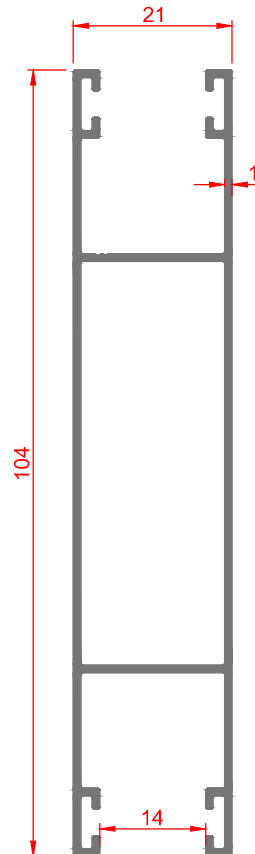
3731
0.446 Kg/m



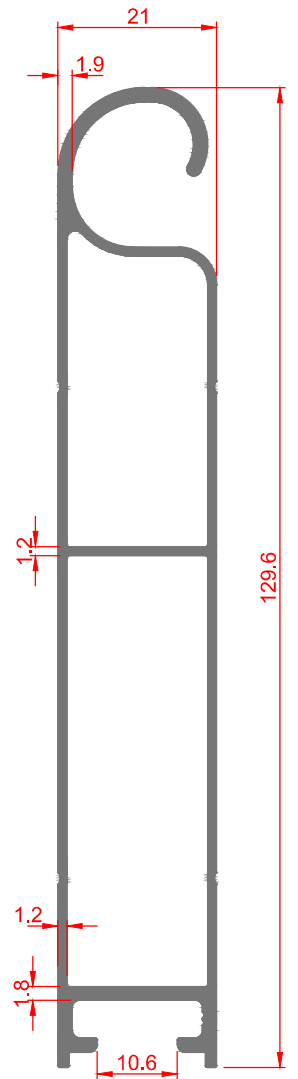
2426
0.717 Kg/m



1660
0.728 Kg/m

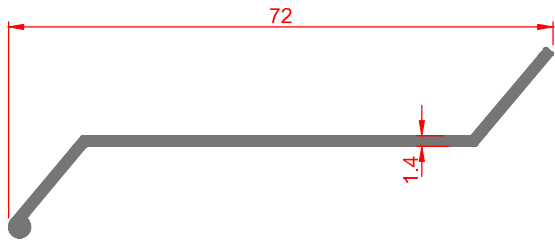


2144
0.755 Kg/m

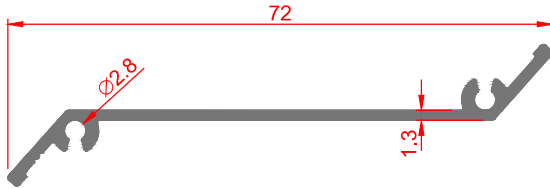


2424
1.185 Kg/m

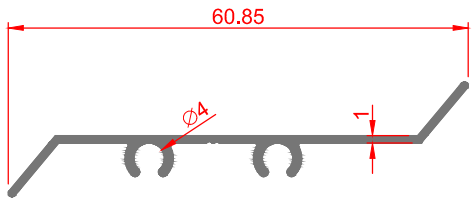
PANJUR-SİNEKLİK-HAVALANDIRMA PROFİLLERİ



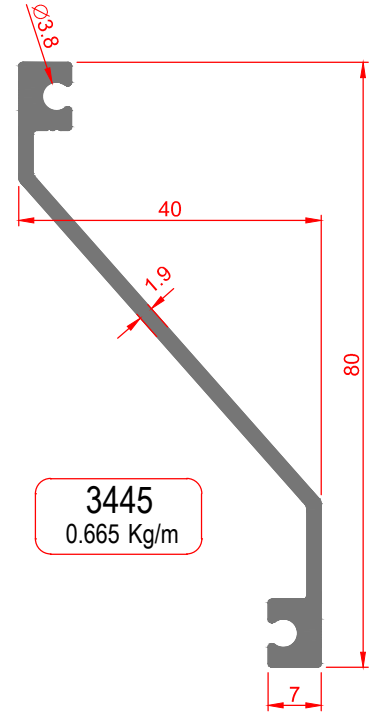
2157
0.321 Kg/m



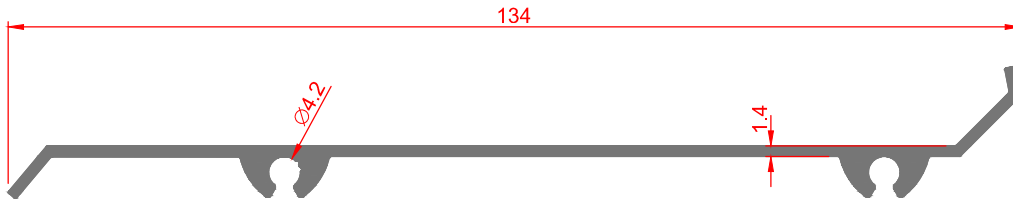
2355
0.343 Kg/m



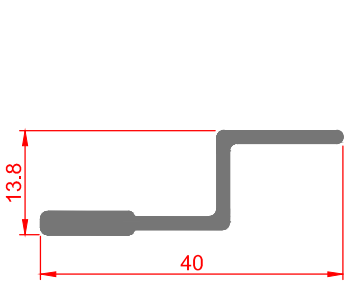
3736
0.245 Kg/m



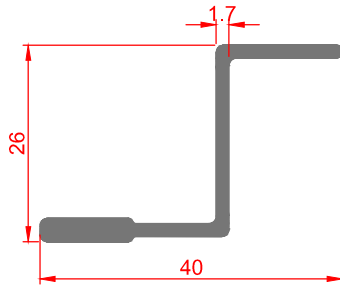
3445
0.665 Kg/m



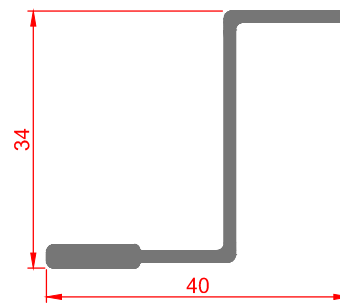
3587
0.711 Kg/m



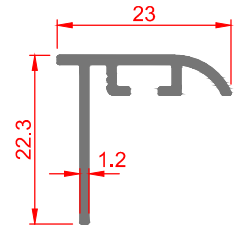
3734
0.280 Kg/m



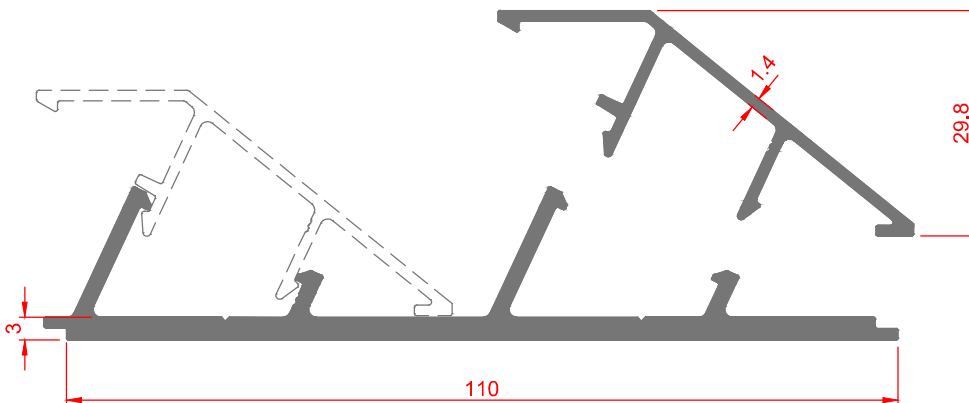
3733
0.336 Kg/m



3732
0.341 Kg/m



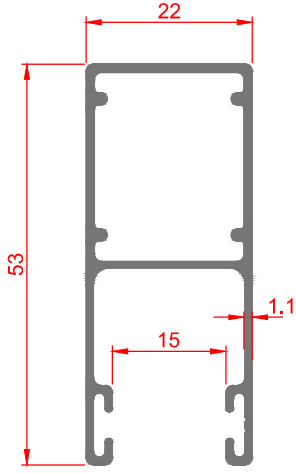
5221
0.184 Kg/m



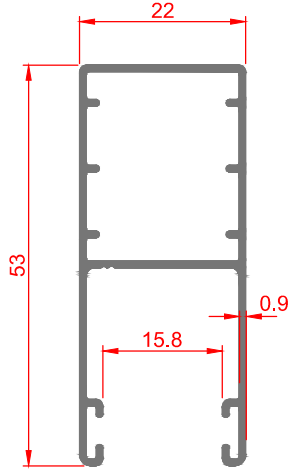
5225
0.402 Kg/m

5224
1.182 Kg/m

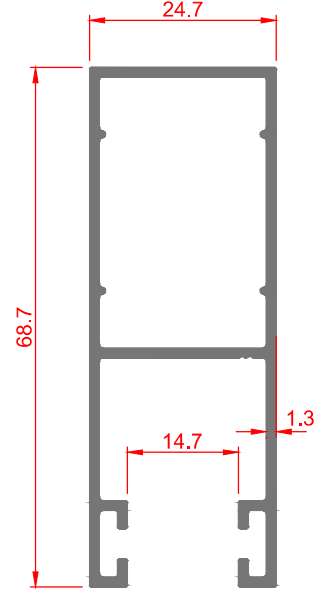
PANJUR-SİNEKLİK-HAVALANDIRMA PROFİLLERİ



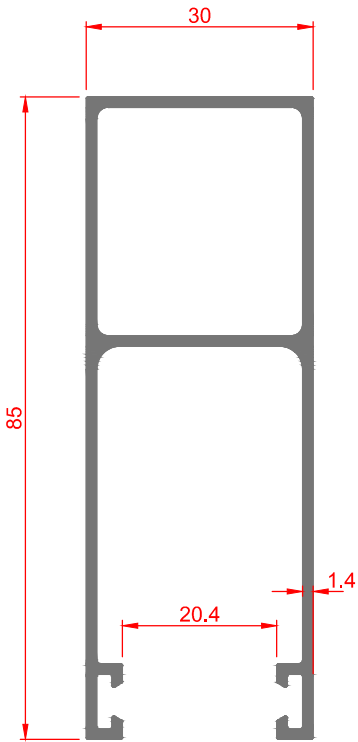
1305
0.494 Kg/m



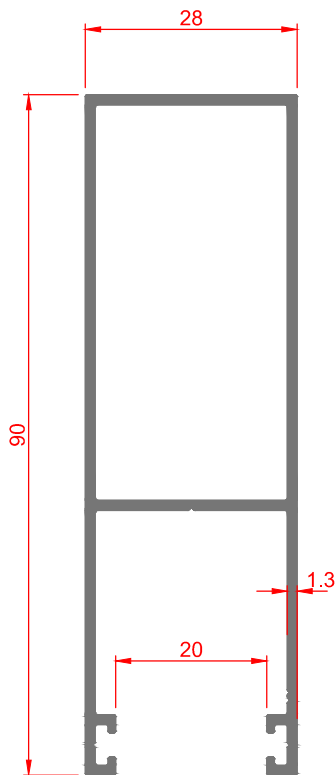
1475
0.413 Kg/m



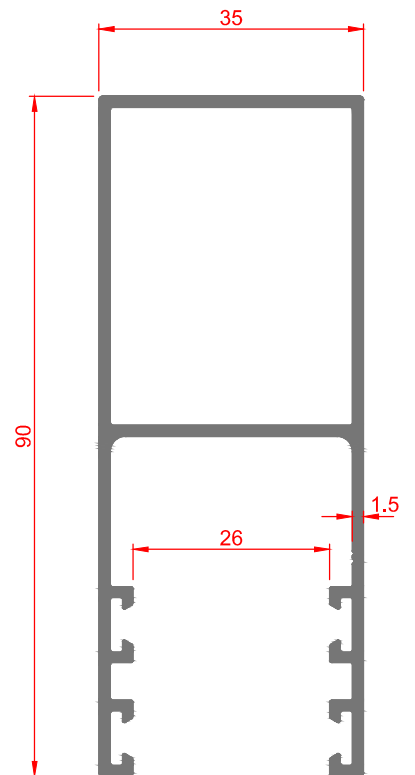
2358
0.732 Kg/m



1417
0.937 Kg/m

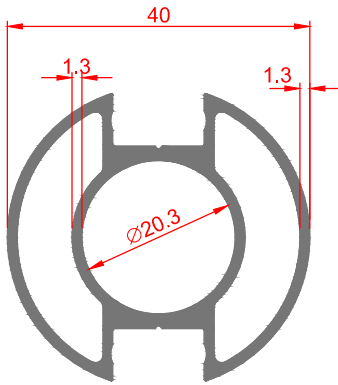


2600
0.865 Kg/m

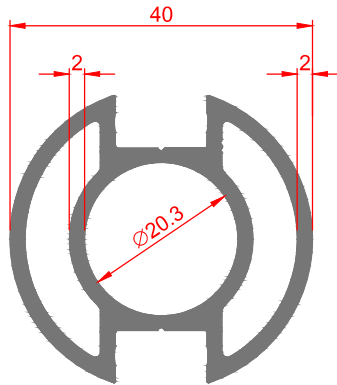


2425
1.123 Kg/m

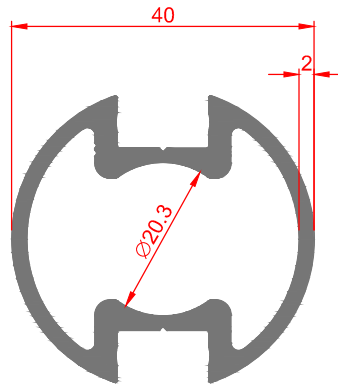
KÜPEŞTE PROFİLLERİ



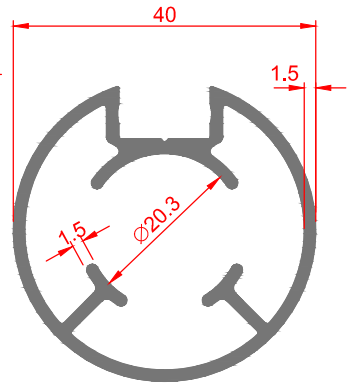
1675
0.770 Kg/m



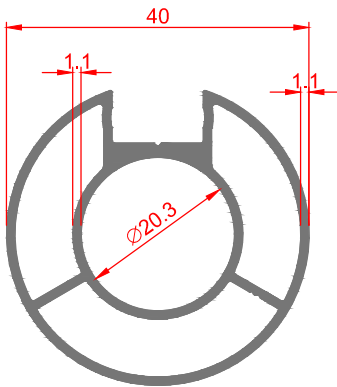
2498
1.062 Kg/m



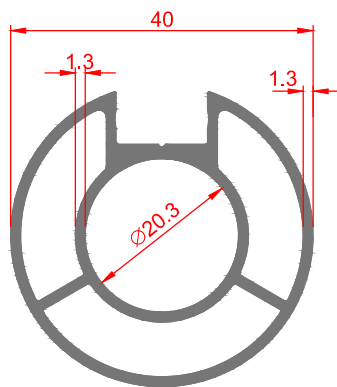
3412
0.936 Kg/m



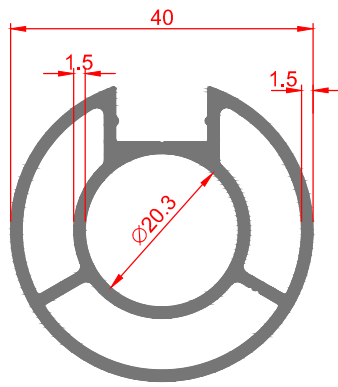
1015
0.723 Kg/m



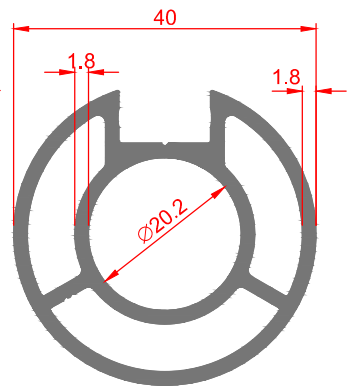
3588
0.668 Kg/m



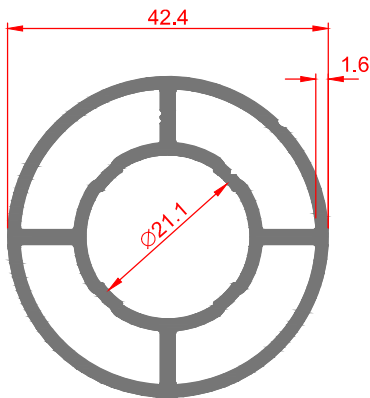
1081
0.770 Kg/m



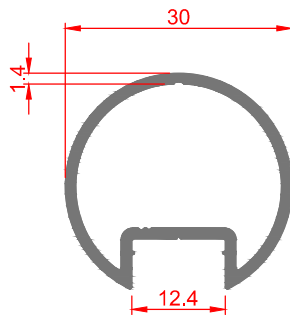
4406
0.862 Kg/m



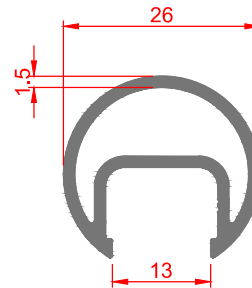
2982
1.016 Kg/m



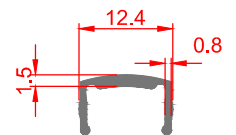
2260
1.024 Kg/m



4602
0.382 Kg/m

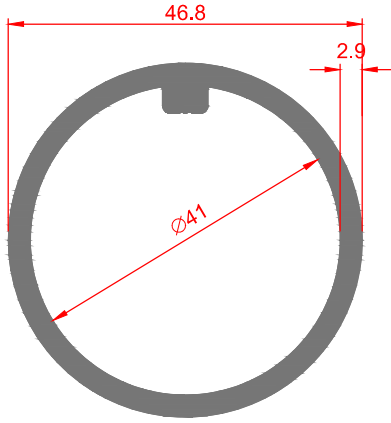


2261
0.394 Kg/m

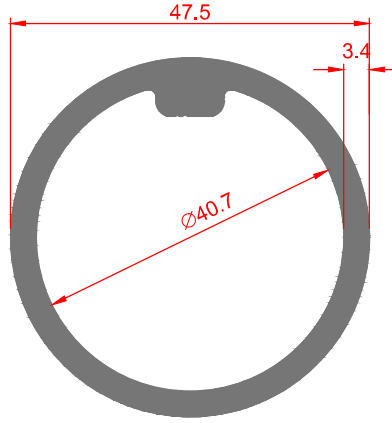


1090
0.070 Kg/m

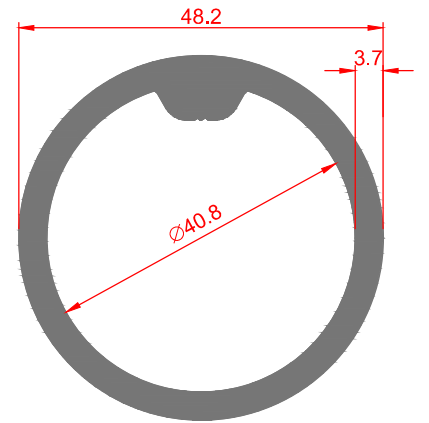
KÜPEŞTE PROFİLLERİ



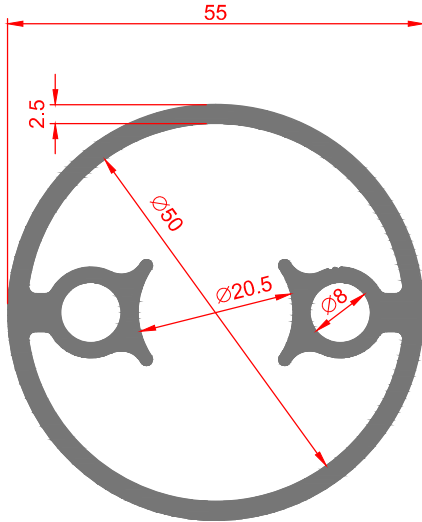
5162
1.138 Kg/m



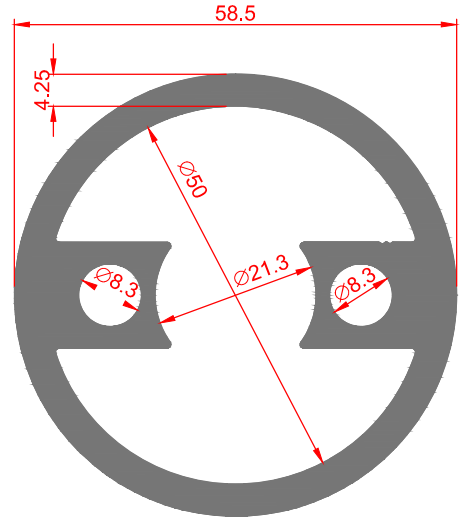
4309
1.371 Kg/m



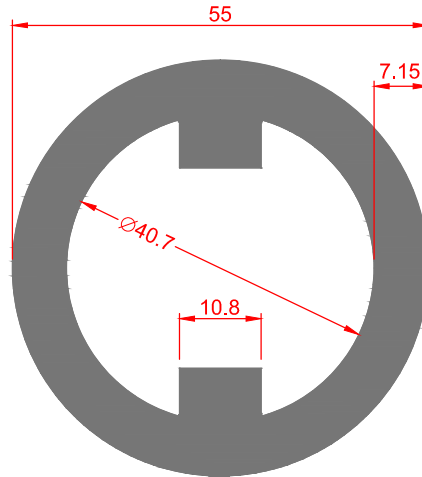
2881
1.516 Kg/m



5161
1.648 Kg/m

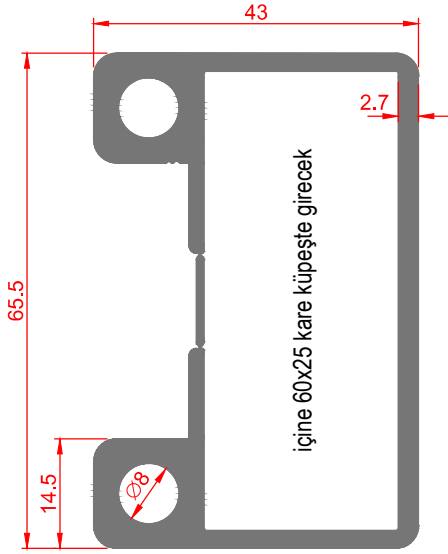


2880
2.784 Kg/m

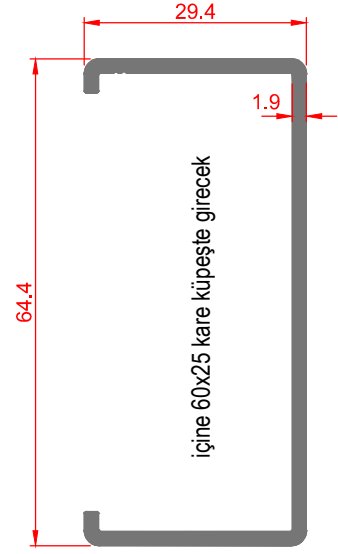


1678
3.302 Kg/m

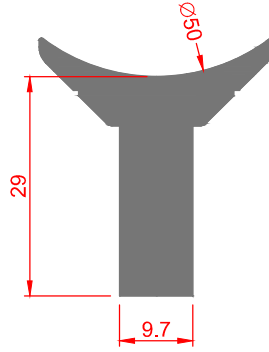
KÜPEŞTE PROFİLLERİ



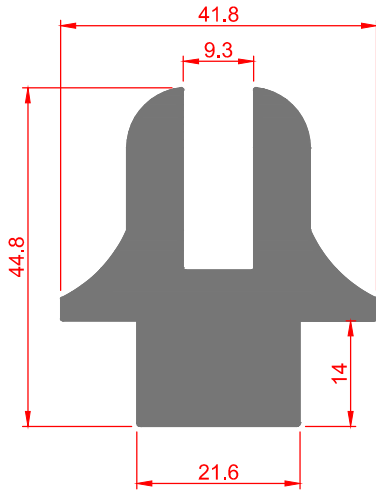
5386
1.811 Kg/m



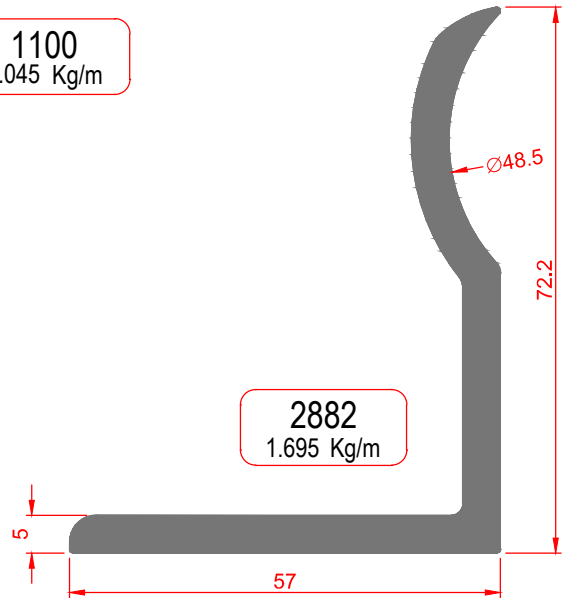
5388
0.629 Kg/m



1100
1.045 Kg/m

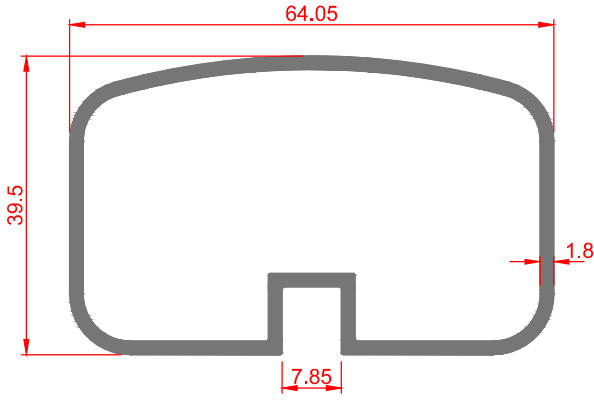


2883
2.462 Kg/m

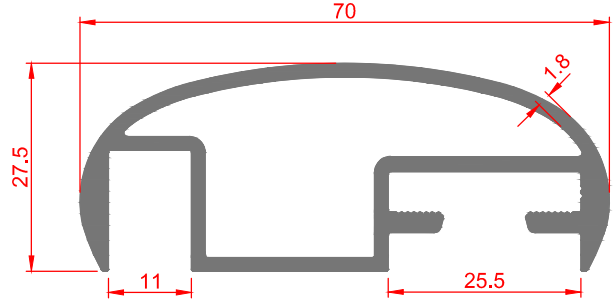


2882
1.695 Kg/m

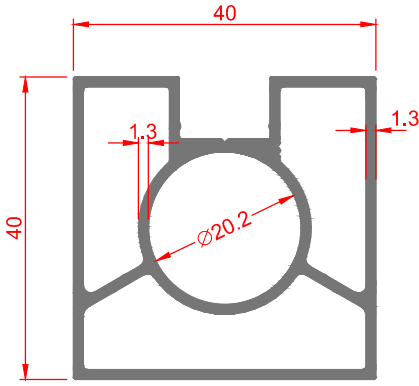
KÜPEŞTE PROFİLLERİ



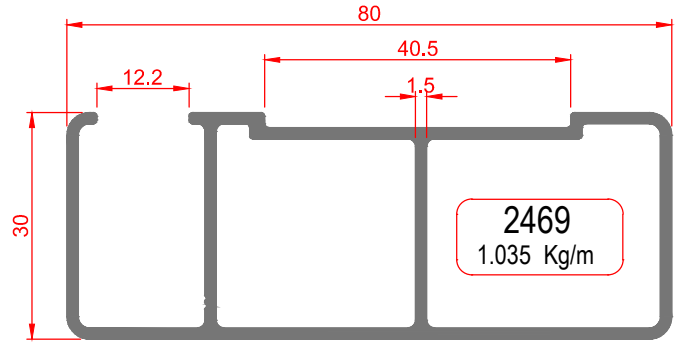
1677
0.971 Kg/m



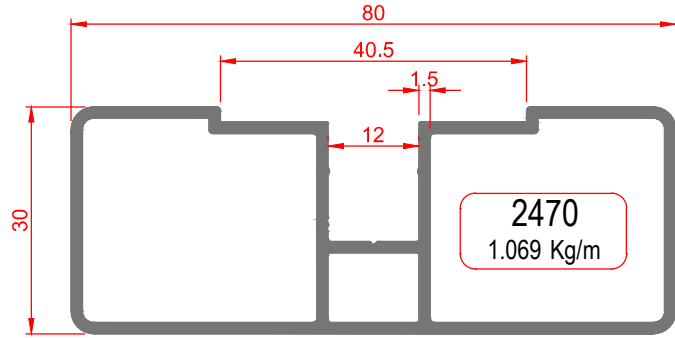
3029
1.148 Kg/m



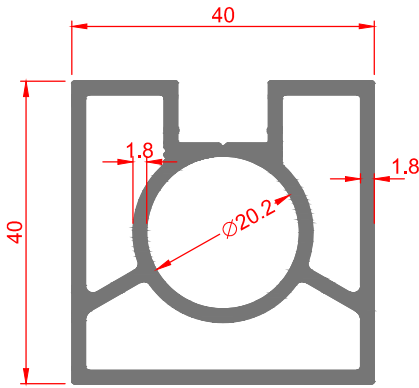
2471
0.913 Kg/m



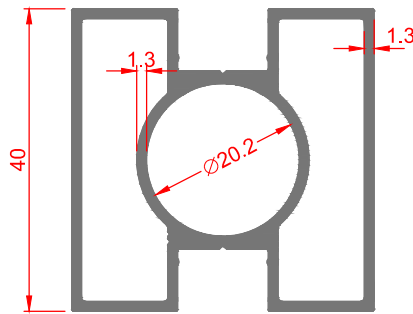
2469
1.035 Kg/m



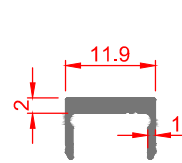
2470
1.069 Kg/m



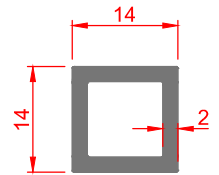
2981
1.208 Kg/m



2472
0.892 Kg/m

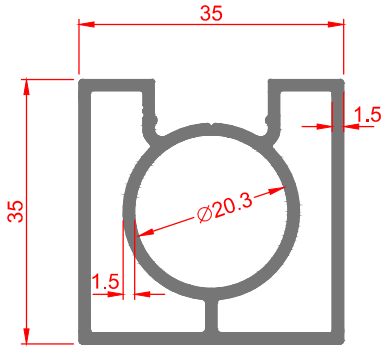


2473
0.092 Kg/m

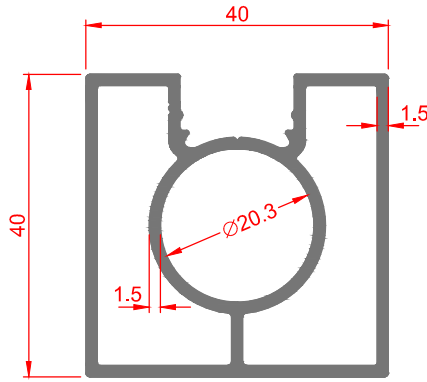


2474
0.259 Kg/m

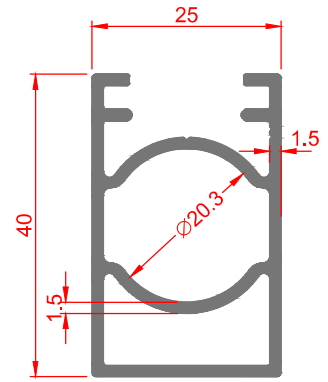
KÜPEŞTE PROFİLLERİ



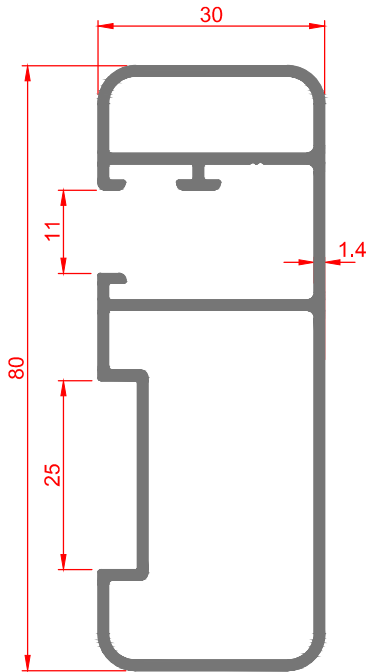
2757
0.837 Kg/m



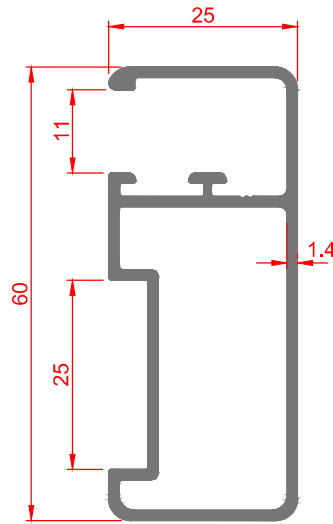
2758
0.959 Kg/m



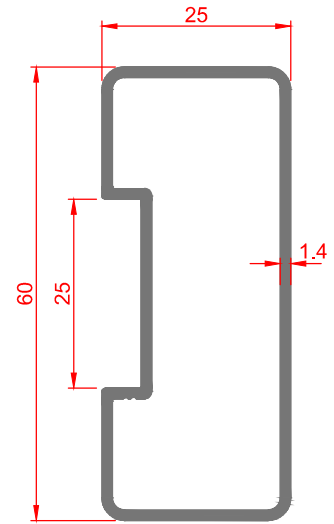
2759
0.678 Kg/m



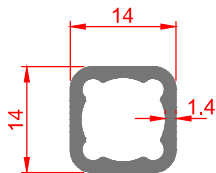
2760
1.029 Kg/m



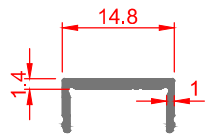
2761
0.727 Kg/m



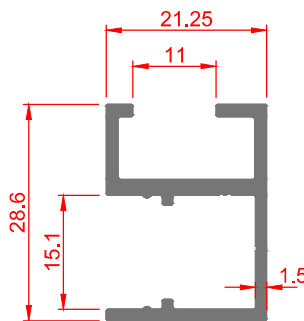
2762
0.644 Kg/m



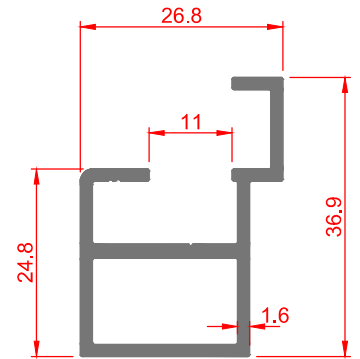
2763
0.201 Kg/m



2764
0.082 Kg/m

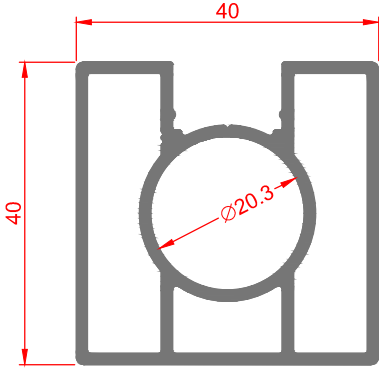


2765
0.394 Kg/m

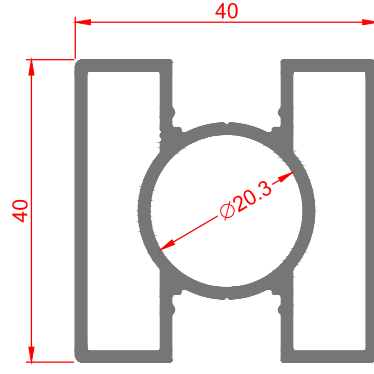


2766
0.522 Kg/m

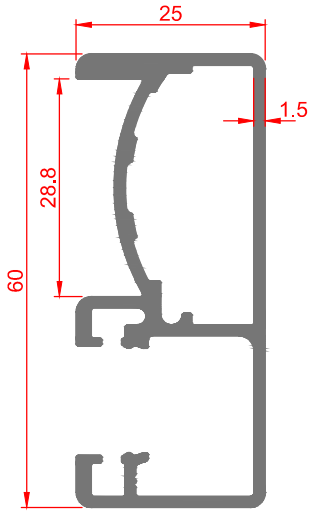
KÜPEŞTE PROFİLLERİ



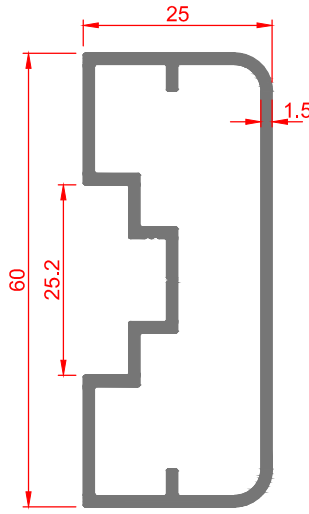
3398
1.015 Kg/m



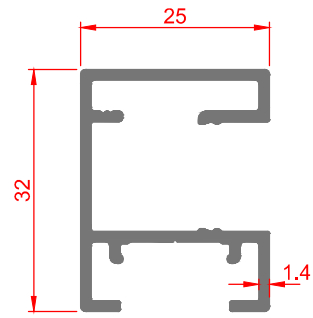
3399
0.966 Kg/m



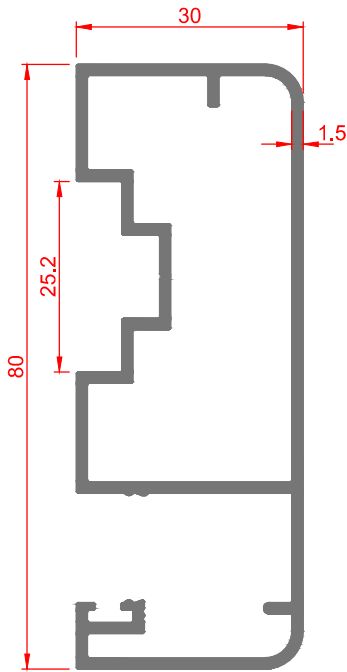
3401
0.880 Kg/m



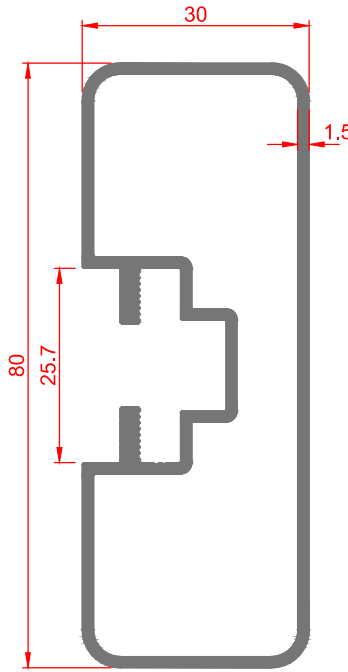
3403
0.766 Kg/m



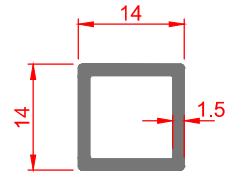
3400
0.455 Kg/m



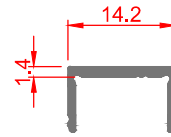
3402
1.073 Kg/m



3404
1.085 Kg/m

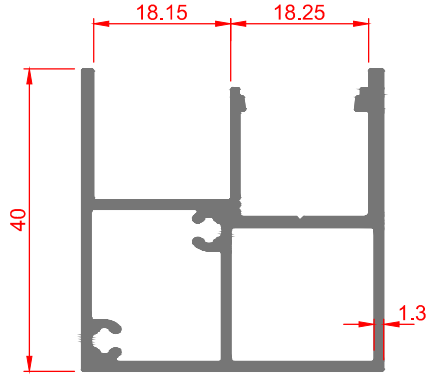


3406
0.202 Kg/m

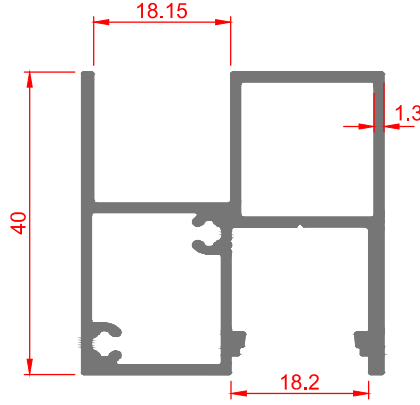


3405
0.089 Kg/m

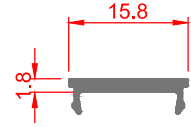
CAM KÜPEŞTE PROFİLLERİ



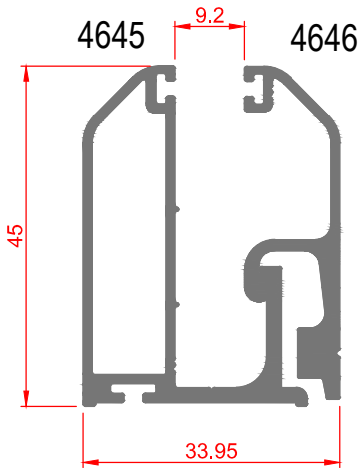
1380
0.800 Kg/m



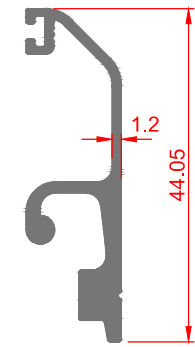
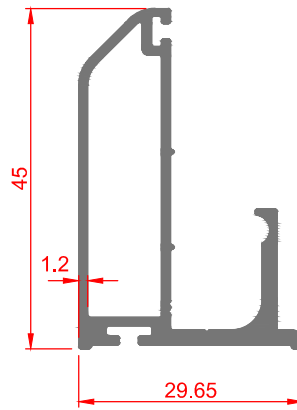
1381
0.808 Kg/m



1382
0.086 Kg/m

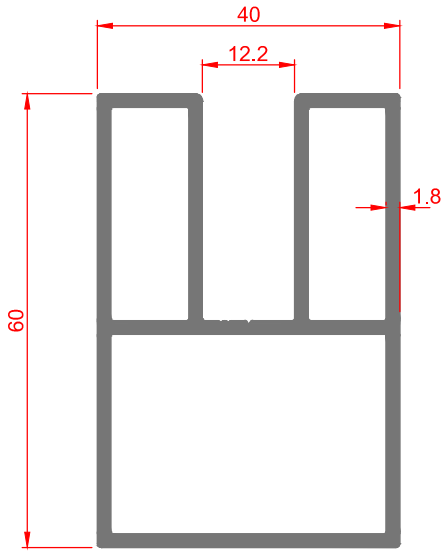


4645
0.575 Kg/m

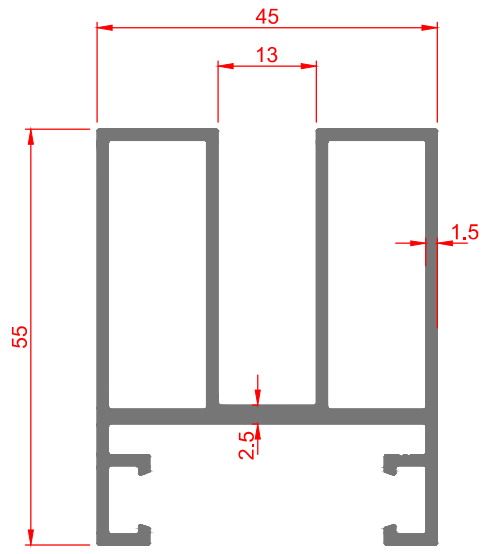


4646
0.400 Kg/m

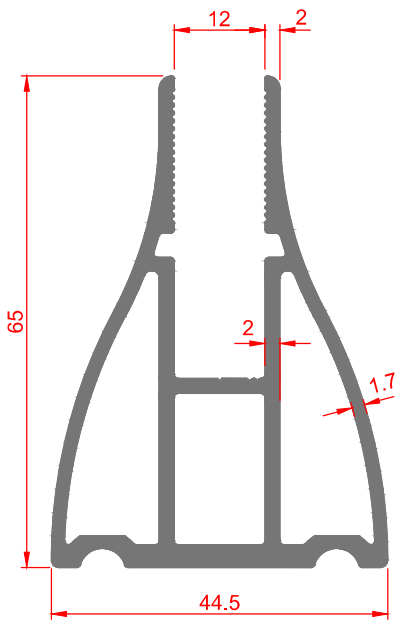
CAM KÜPEŞTE PROFİLLERİ



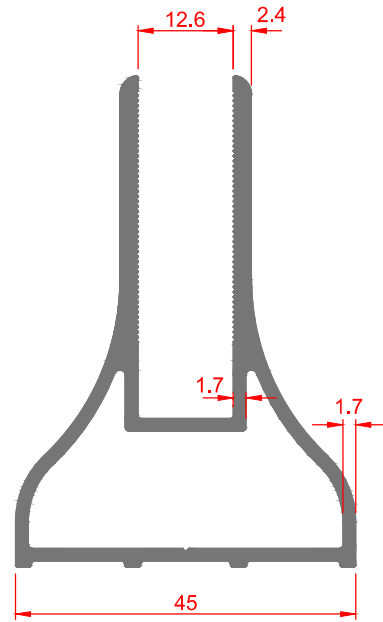
1413
1.327 Kg/m



2225
1.201 Kg/m

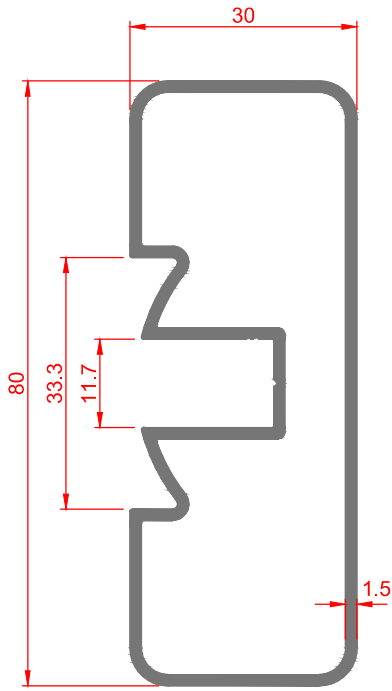


2129
1.489 Kg/m

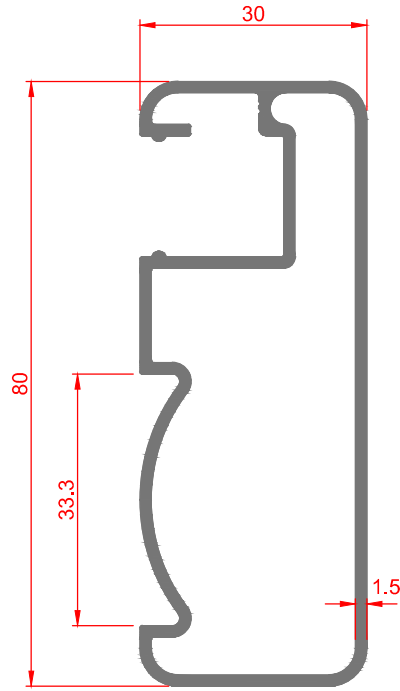


4665
1.135 Kg/m

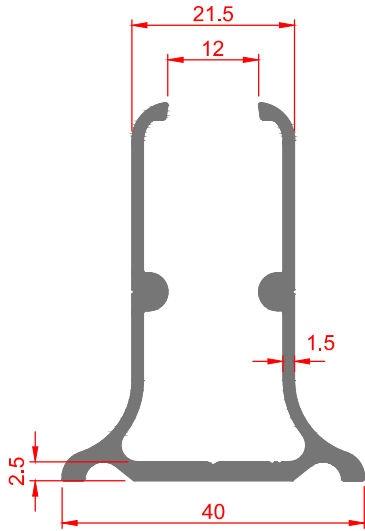
CAM KÜPEŞTE PROFİLLERİ



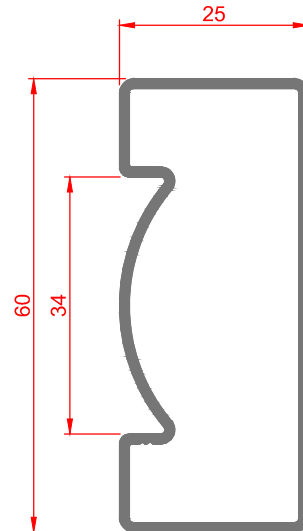
5302
1.031 Kg/m



5303
1.025 Kg/m

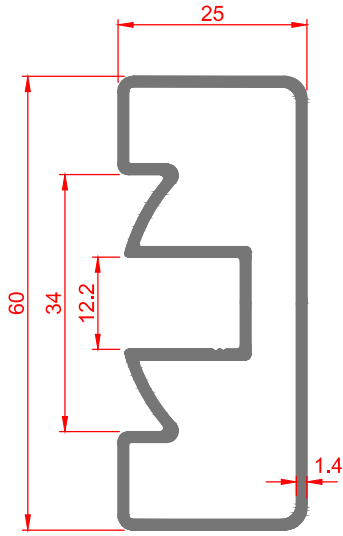


5300
0.747 Kg/m

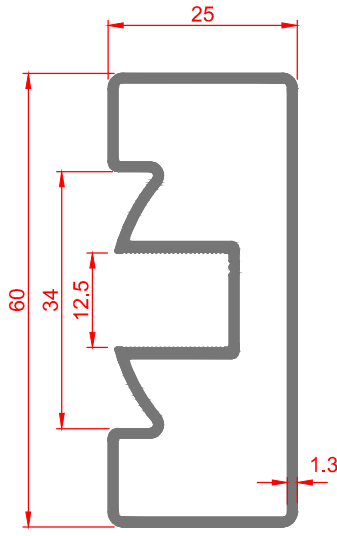


5301
0.616 Kg/m

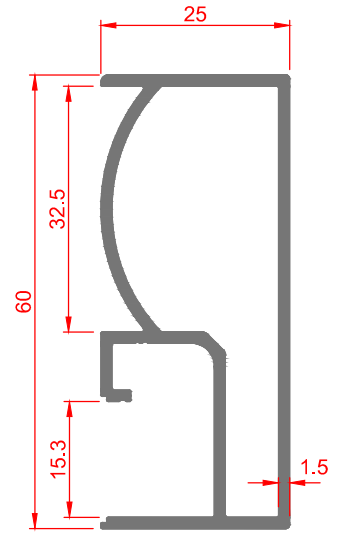
CAM KÜPEŞTE PROFİLLERİ



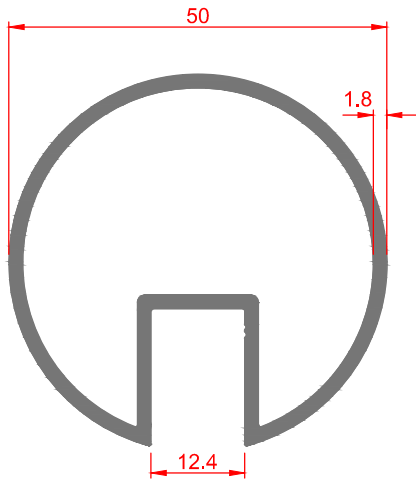
4450
0.783 Kg/m



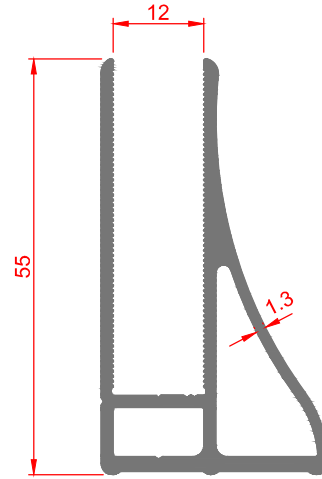
4600
0.730 Kg/m



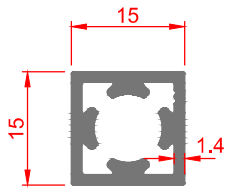
4664
0.771 Kg/m



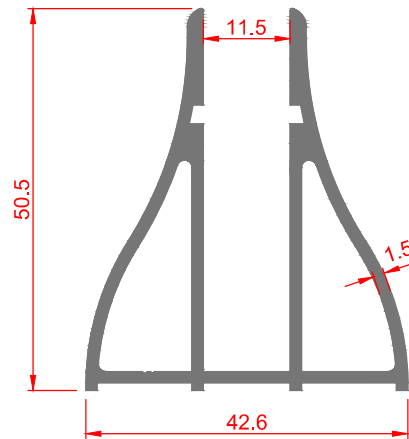
4448
0.907 Kg/m



4601
0.802 Kg/m

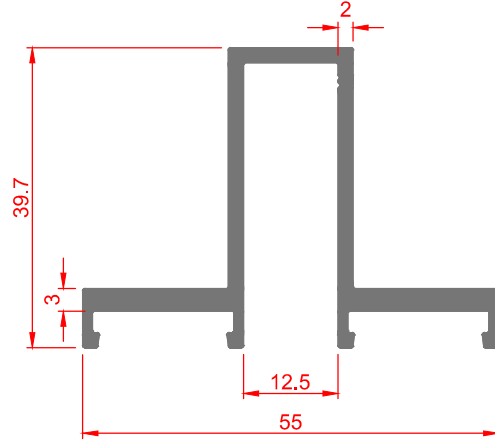
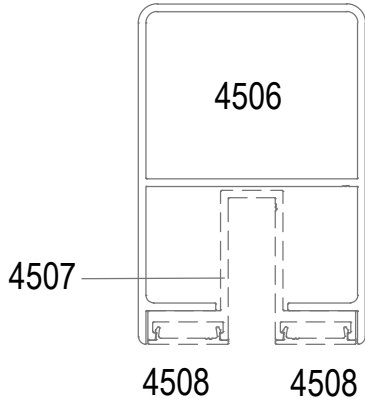


4714
0.300 Kg/m

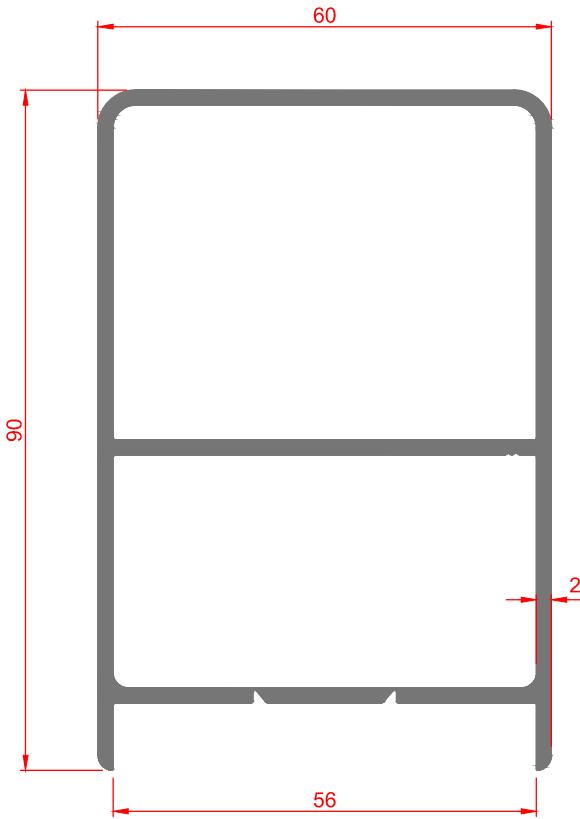


4449
0.940 Kg/m

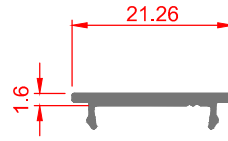
CAM KÜPEŞTE PROFİLLERİ



4507
0.840 Kg/m

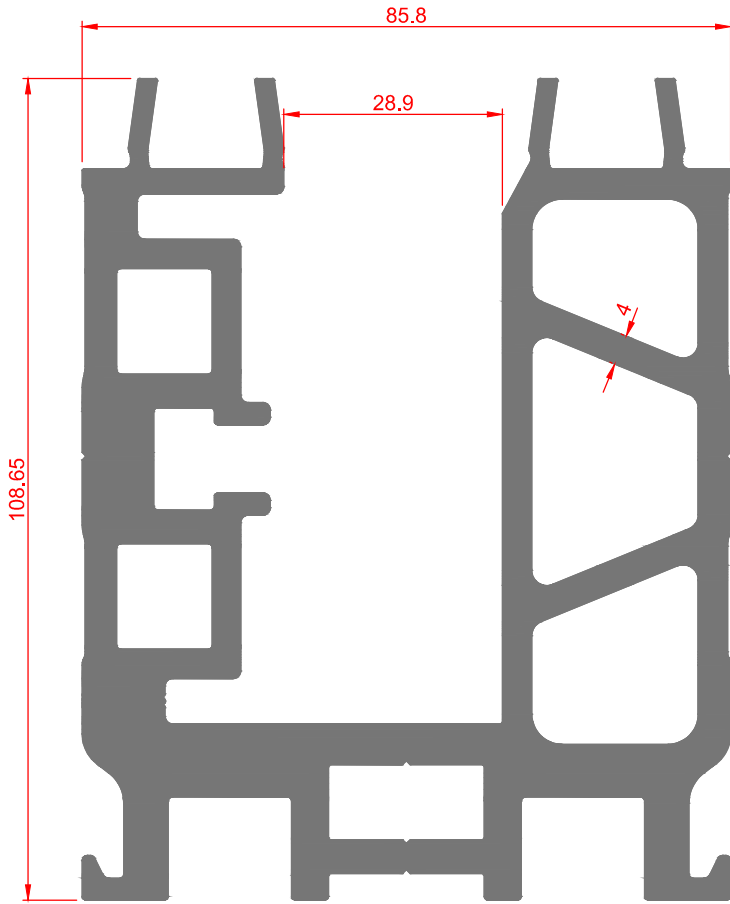
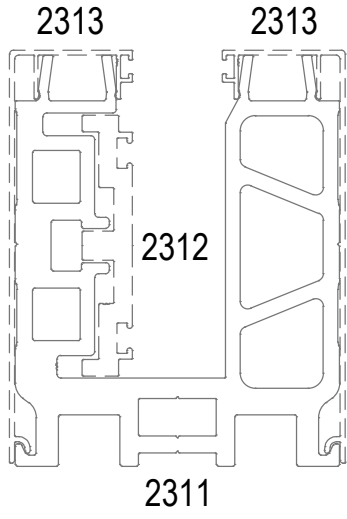


4506
1.850 Kg/m

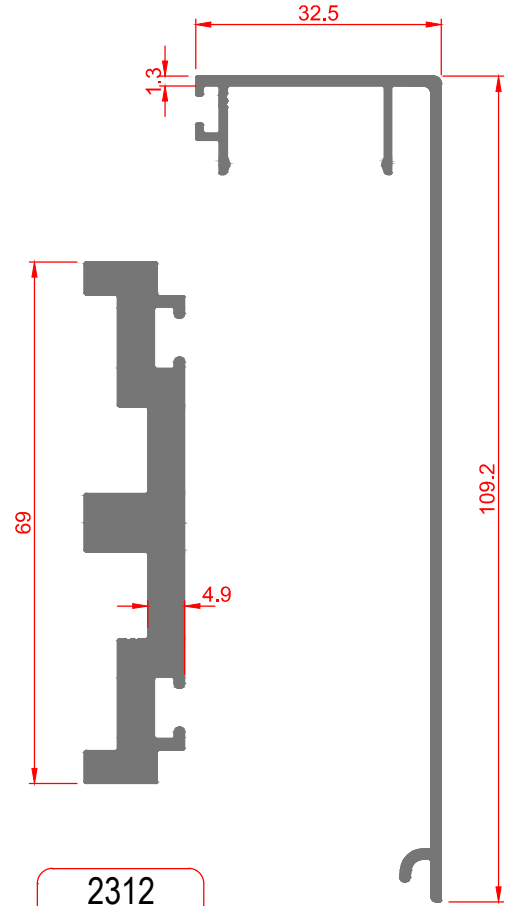


4508
0.098 Kg/m

KORKULUK PROFİLLERİ



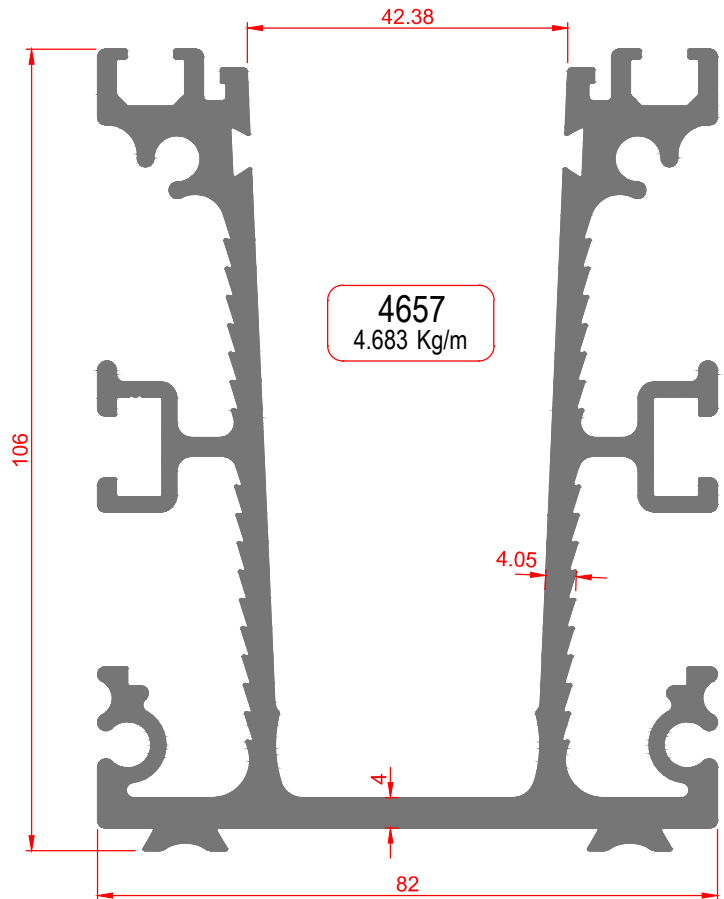
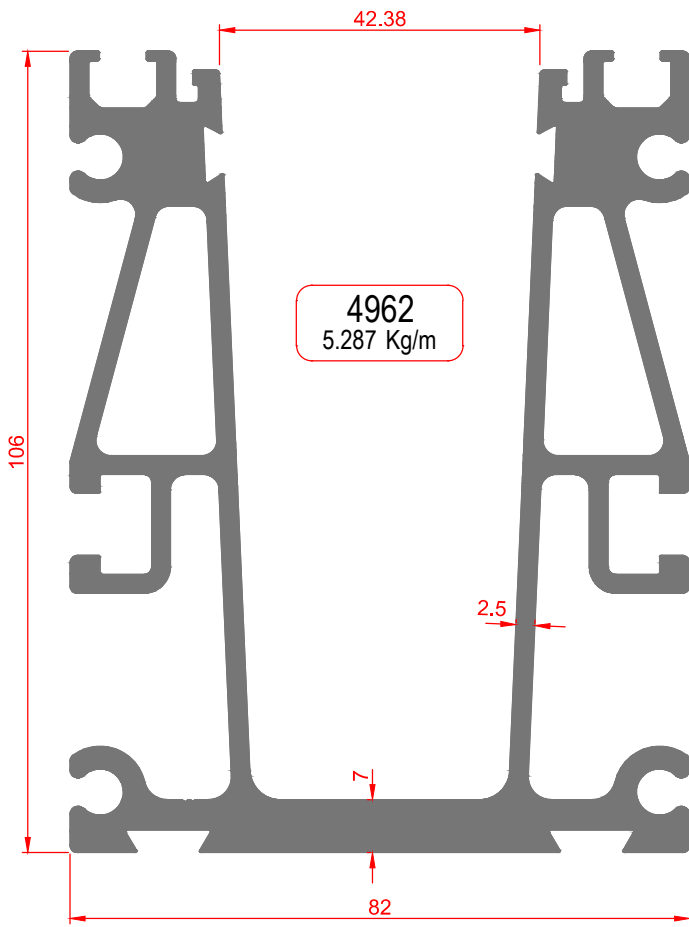
2311
8.129 Kg/m



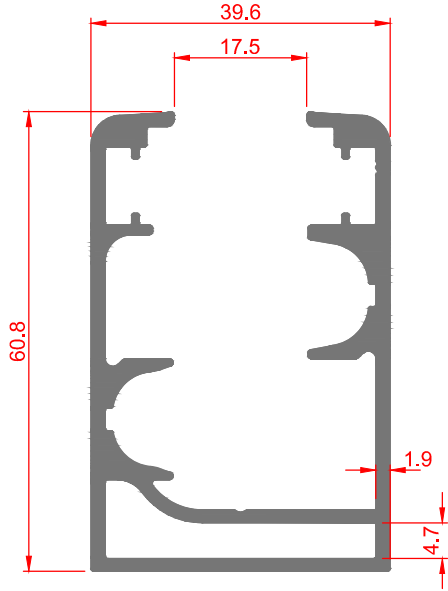
2312
1.365 Kg/m

2313
0.629 Kg/m

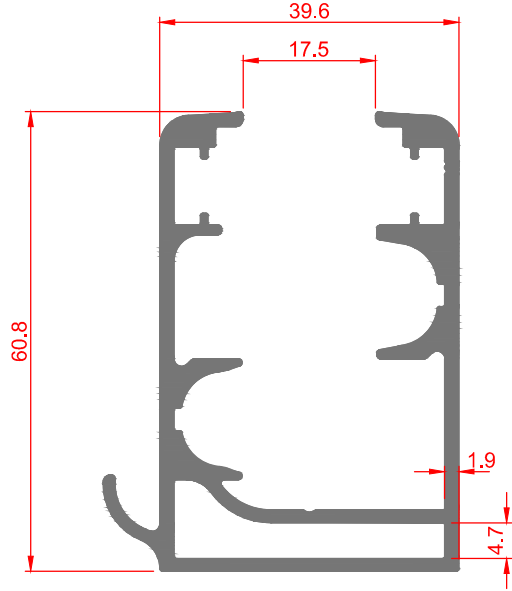
KORKULUK PROFİLLERİ



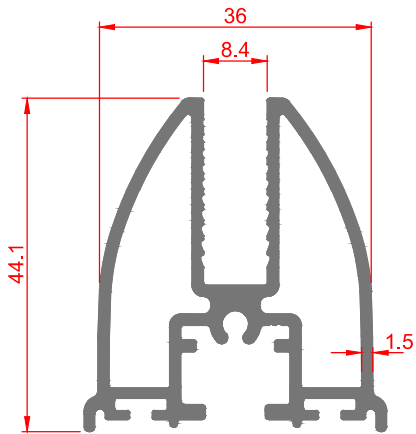
CAM BALKON PROFİLLERİ



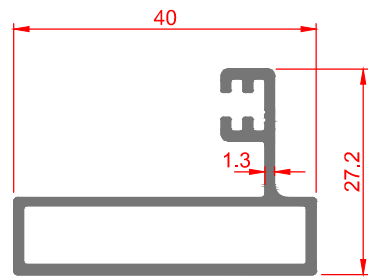
2563
1.409 Kg/m



2947
1.466 Kg/m

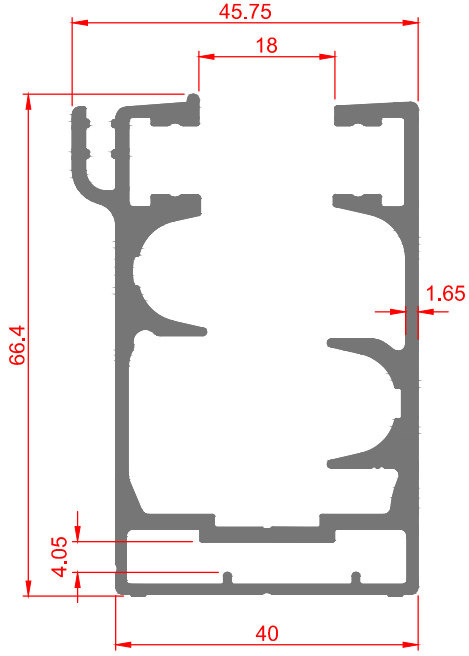


2564
1.007 Kg/m

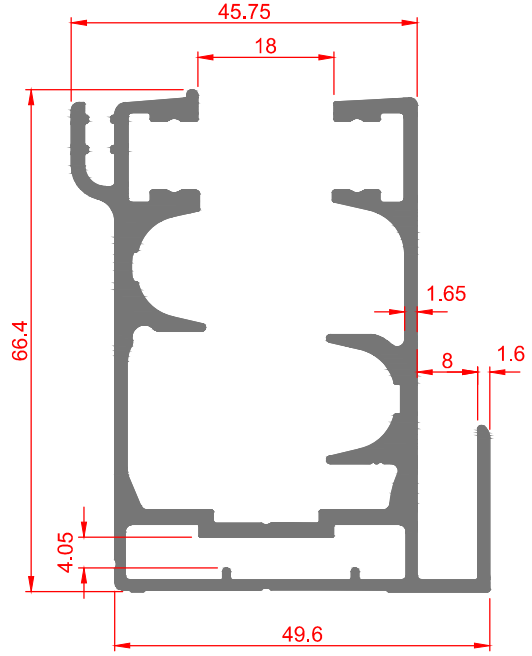


2565
0.444 Kg/m

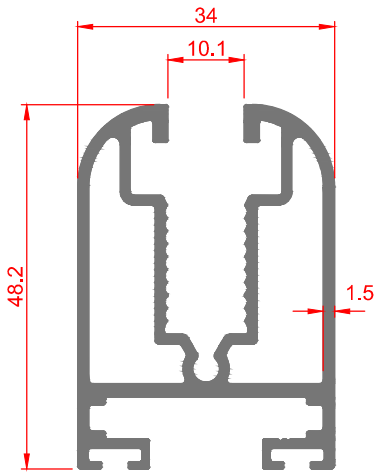
CAM BALKON PROFİLLERİ



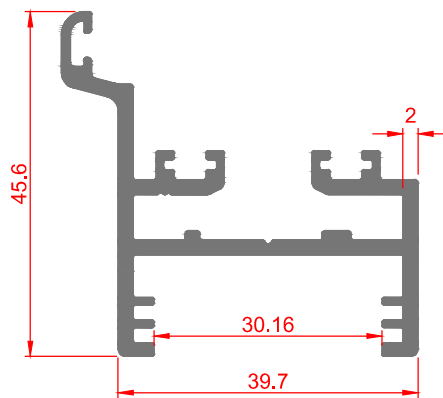
5157
1.582 Kg/m



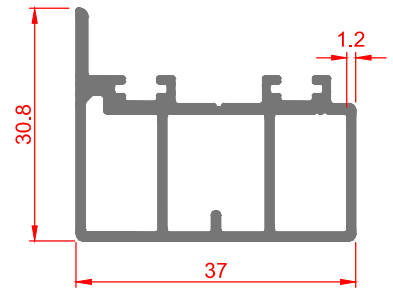
5158
1.713 Kg/m



5259
1.065 Kg/m

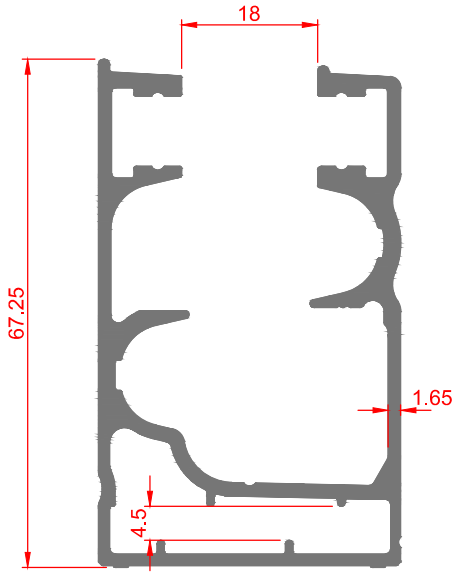


5159
0.878 Kg/m

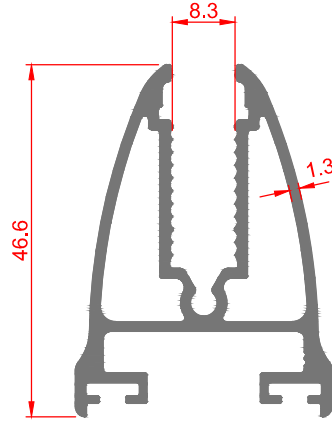


5160
0.609 Kg/m

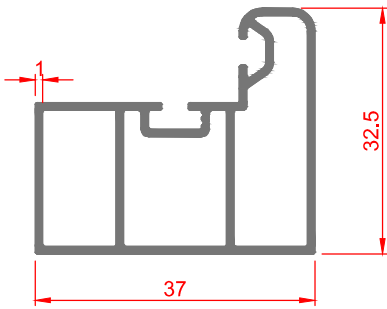
CAM BALKON PROFİLLERİ



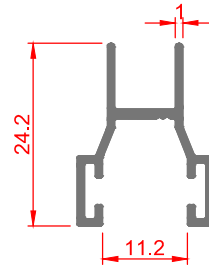
3437
1.414 Kg/m



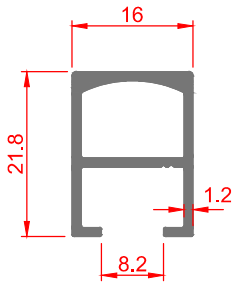
3438
0.864 Kg/m



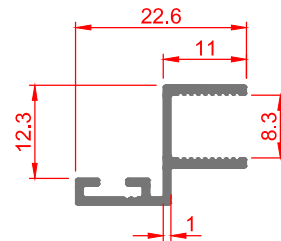
3439
0.503 Kg/m



3440
0.205 Kg/m

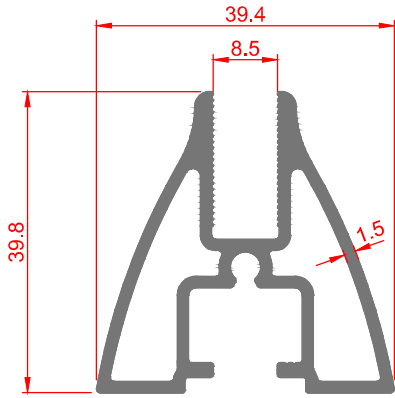


3442
0.265 Kg/m

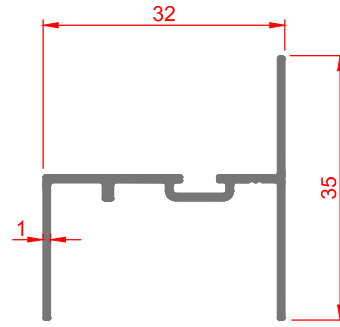


3441
0.162 Kg/m

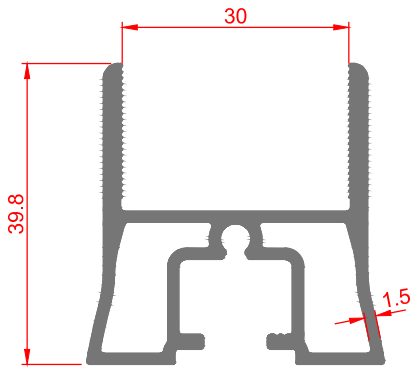
CAM BALKON PROFİLLERİ



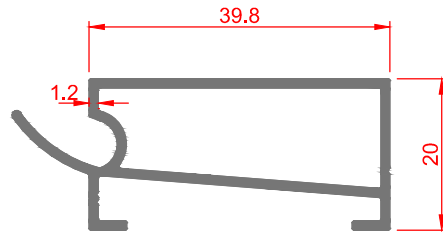
1876
0.854 Kg/m



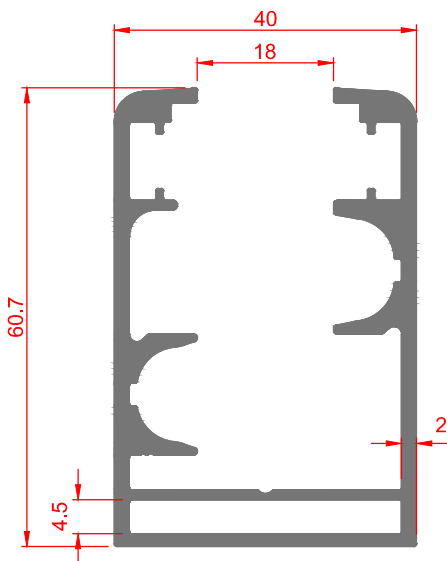
1874
0.254 Kg/m



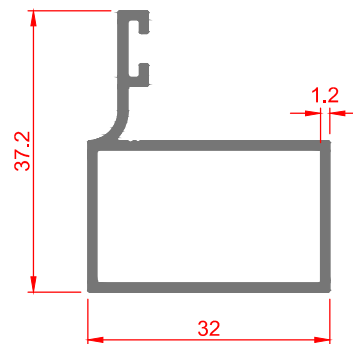
1875
0.874 Kg/m



1877
0.445 Kg/m

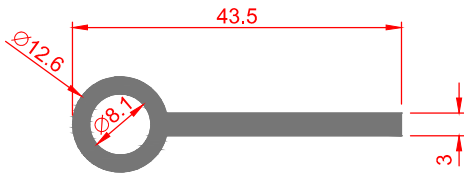


4446
1.410 Kg/m

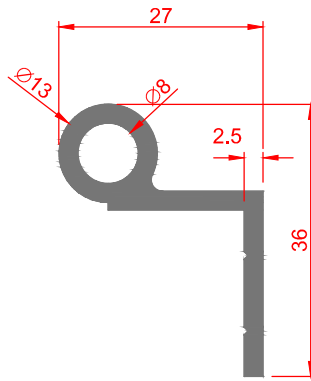


4447
0.414 Kg/m

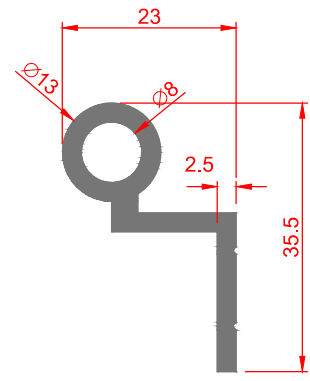
MENTEŞE PROFİLLERİ



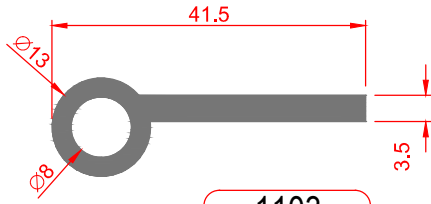
1031
0.448 Kg/m



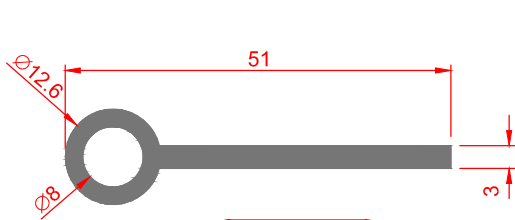
1101
0.501 Kg/m



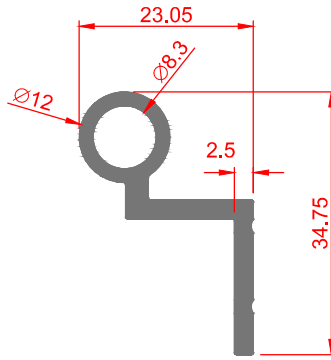
1102
0.475 Kg/m



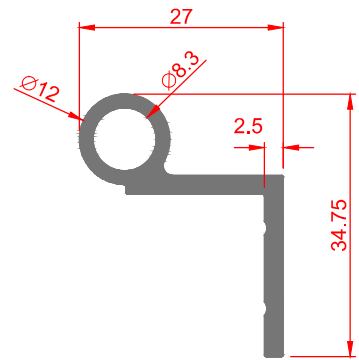
1103
0.498 Kg/m



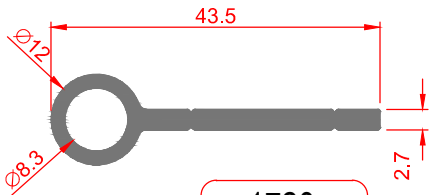
1077
0.512 Kg/m



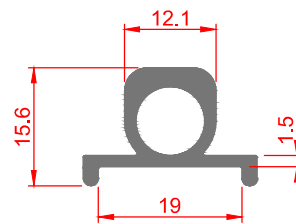
1718
0.414 Kg/m



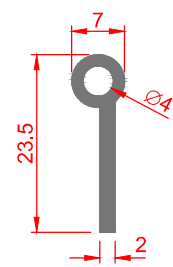
1719
0.439 Kg/m



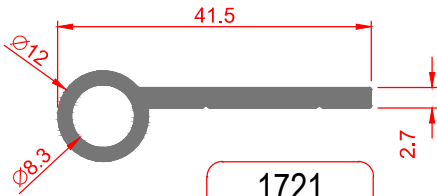
1720
0.388 Kg/m



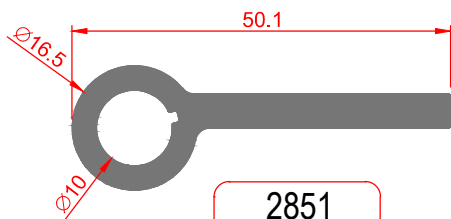
2850
0.296 Kg/m



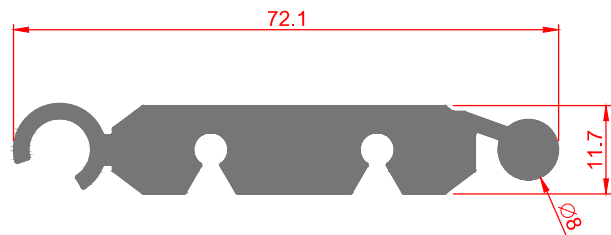
3811
0.161 Kg/m



1721
0.378 Kg/m

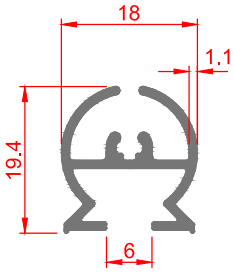


2851
0.777 Kg/m

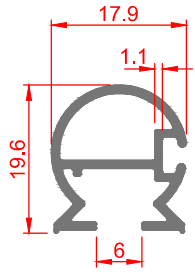


2625
1.572 Kg/m

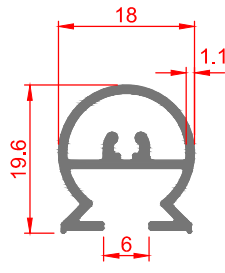
DUŞAKABİN PROFİLLERİ



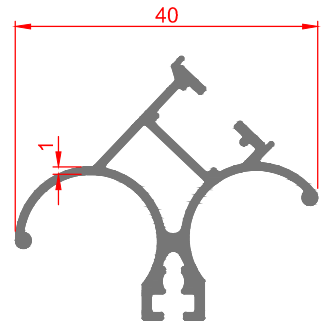
1022
0.249 Kg/m



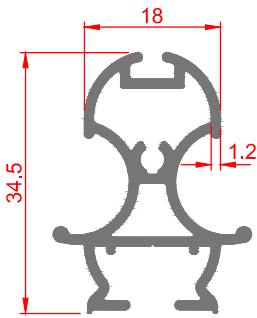
1023
0.239 Kg/m



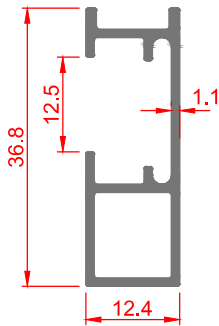
1024
0.257 Kg/m



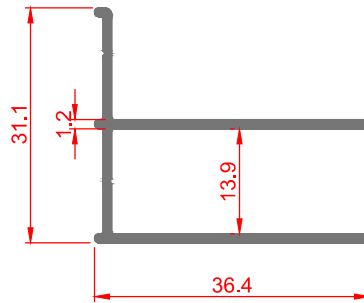
1026
0.402 Kg/m



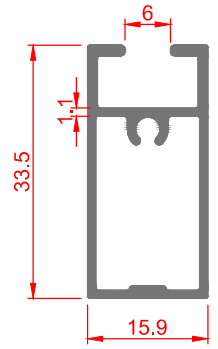
1010
0.478 Kg/m



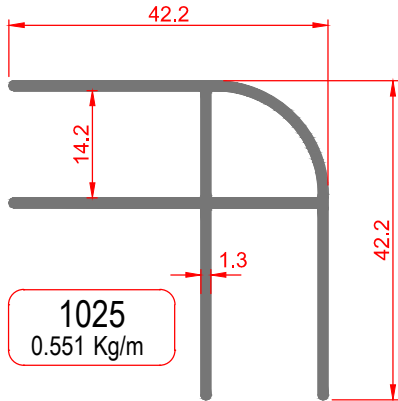
1008
0.296 Kg/m



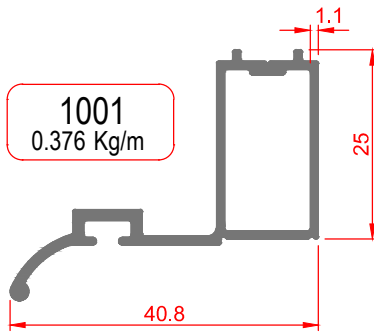
1004
0.330 Kg/m



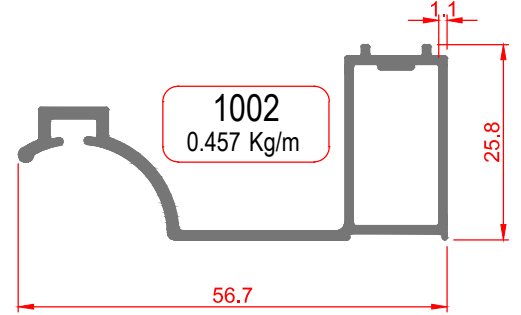
1009
0.350 Kg/m



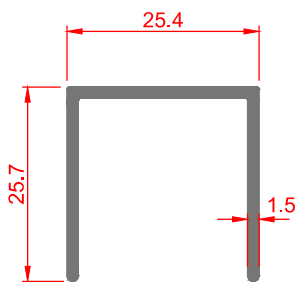
1025
0.551 Kg/m



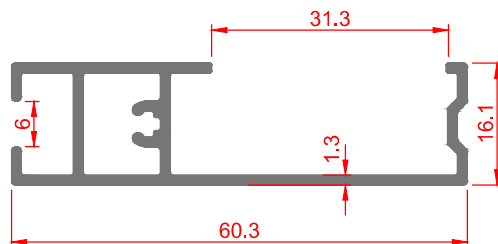
1001
0.376 Kg/m



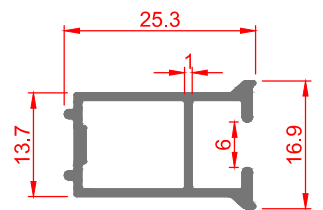
1002
0.457 Kg/m



1256
0.298 Kg/m

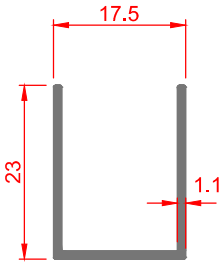


1007
0.517 Kg/m

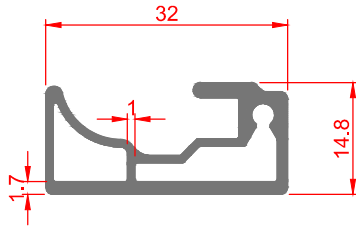


1003
0.246 Kg/m

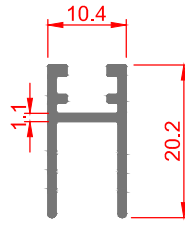
DUŞAKABİN PROFİLLERİ



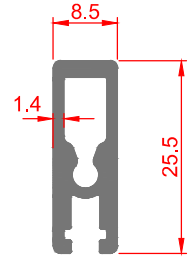
1386
0.182 Kg/m



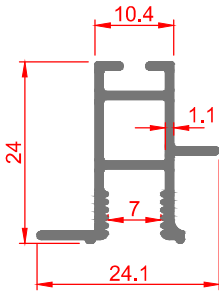
1735
0.412 Kg/m



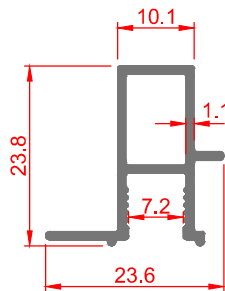
1736
0.163 Kg/m



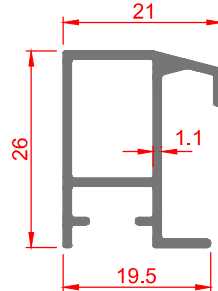
1737
0.320 Kg/m



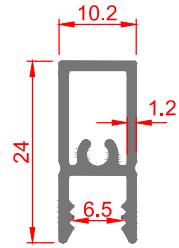
1248
0.265 Kg/m



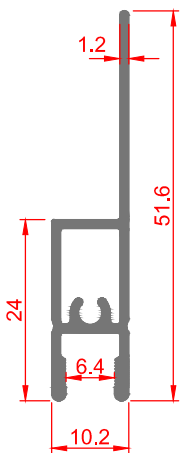
1249
0.239 Kg/m



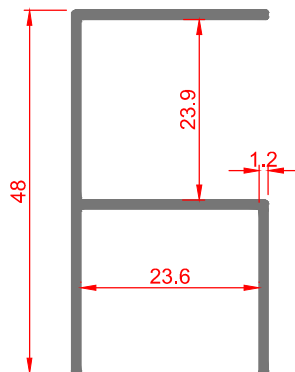
1250
0.294 Kg/m



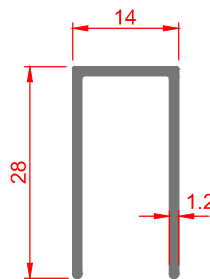
1252
0.236 Kg/m



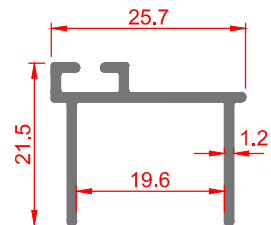
1253
0.333 Kg/m



1254
0.386 Kg/m

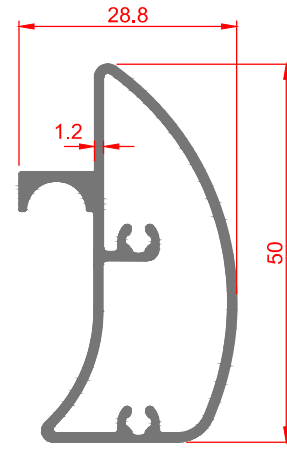
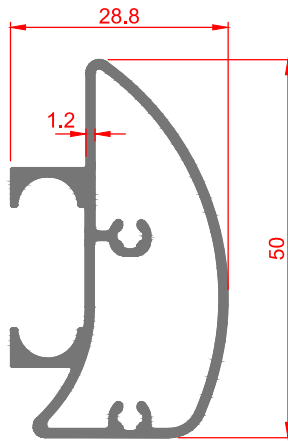
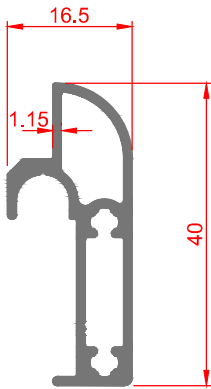
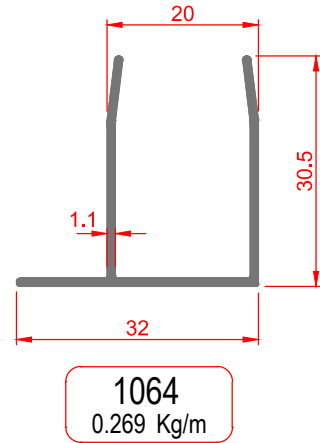
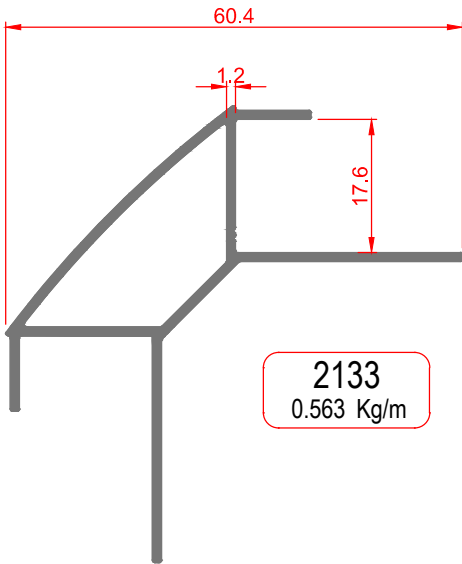
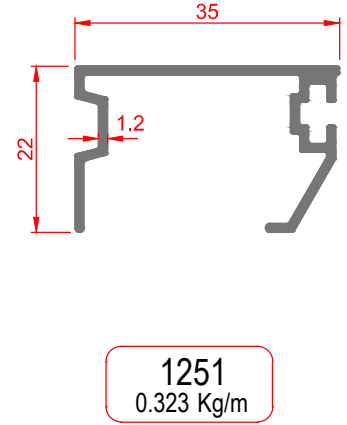
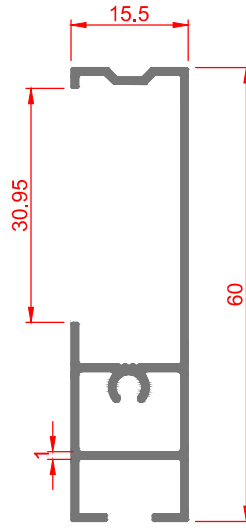
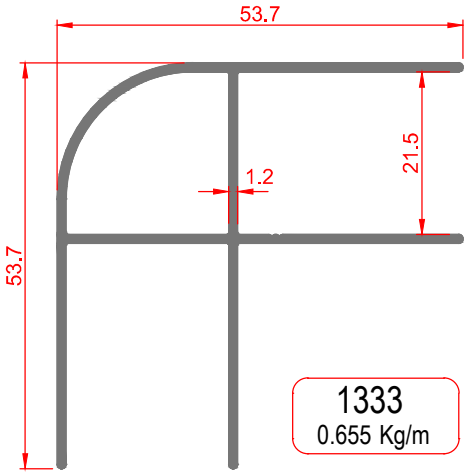


1257
0.218 Kg/m

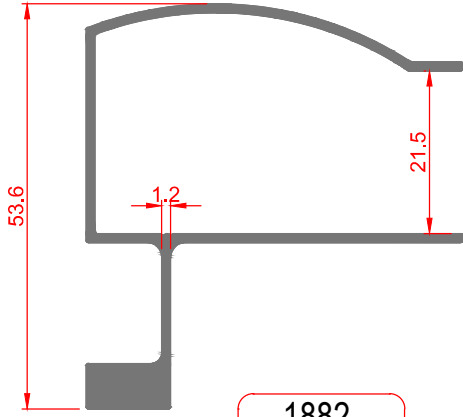


1255
0.229 Kg/m

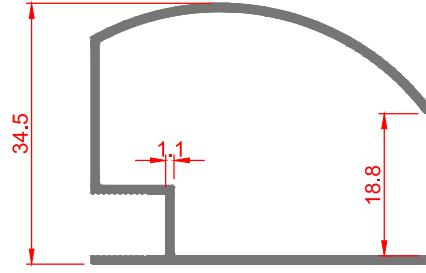
DUŞAKABİN PROFİLLERİ



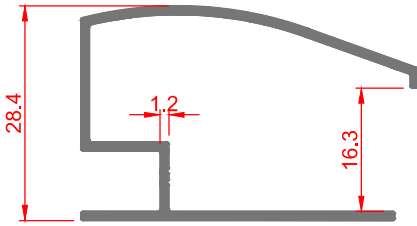
DUŞAKABİN PROFİLLERİ



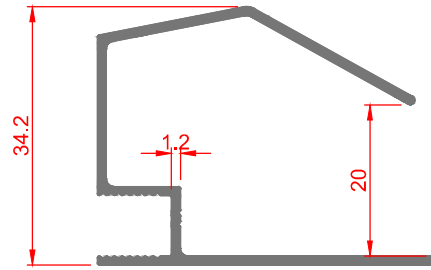
1882
0.653 Kg/m



1006
0.390 Kg/m

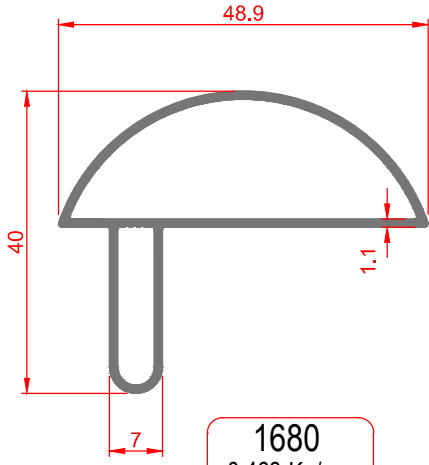


1741
0.402 Kg/m

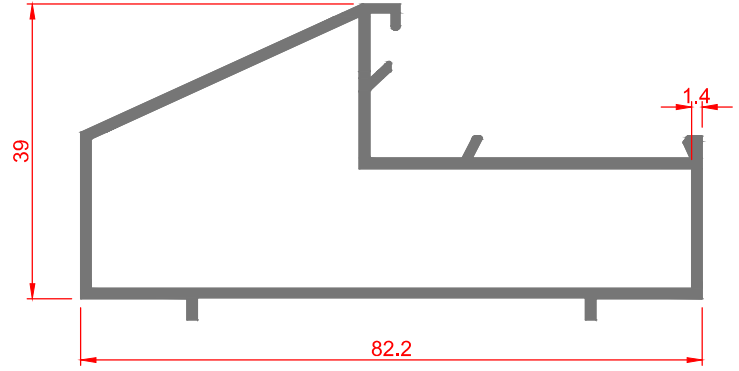


1742
0.410 Kg/m

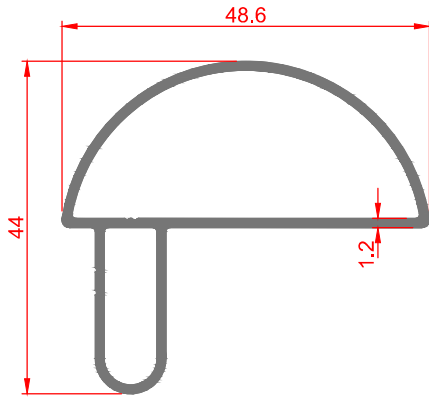
OFİS BÖLME PROFİLLERİ



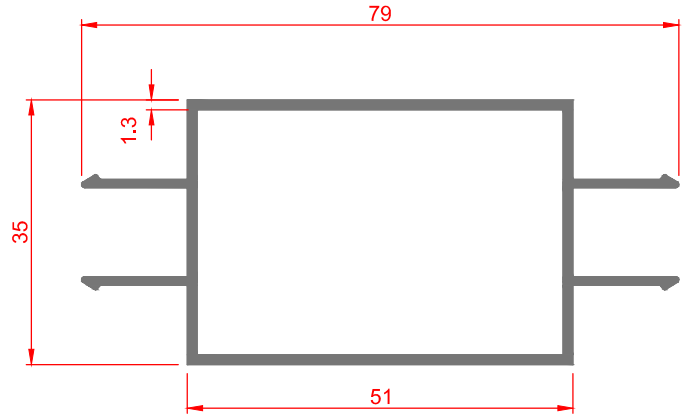
1680
0.463 Kg/m



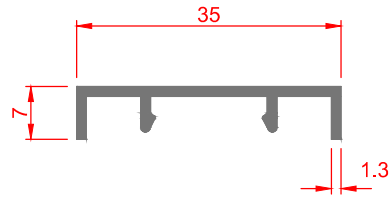
1679
0.913 Kg/m



2204
0.530 Kg/m

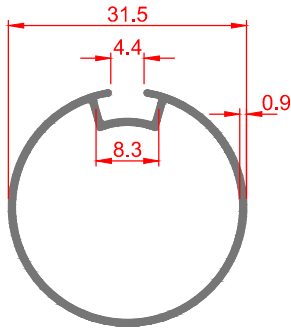


1187
0.756 Kg/m

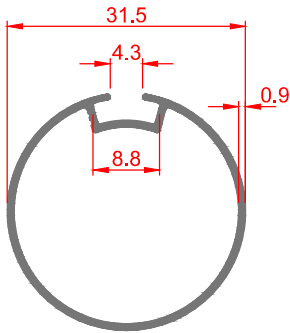


1188
0.197 Kg/m

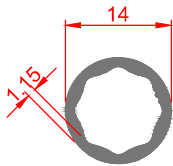
STOR PERDE PROFİLLERİ



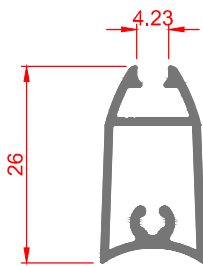
2402
0.257 Kg/m



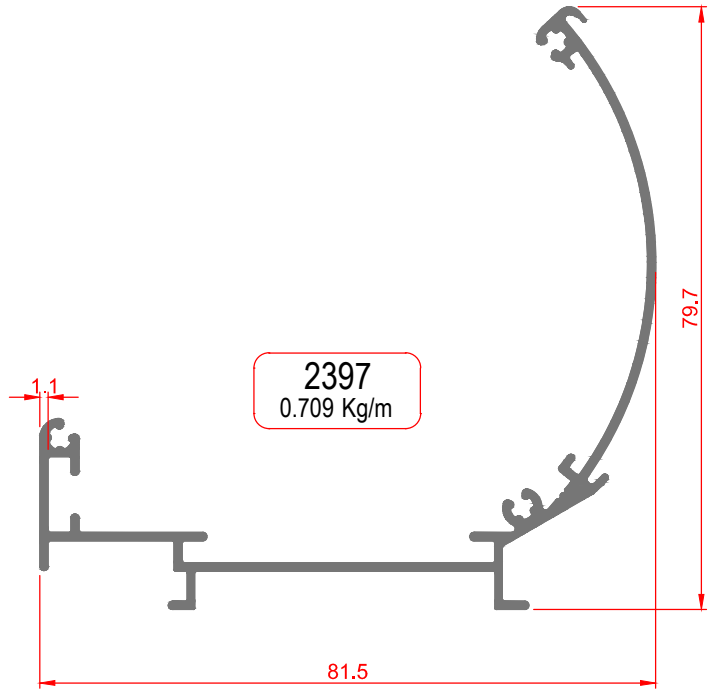
2823
0.257 Kg/m



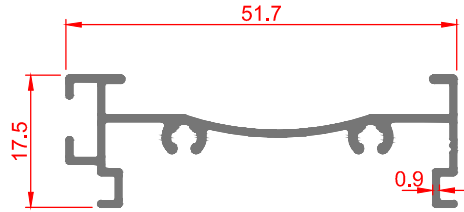
2403
0.153 Kg/m



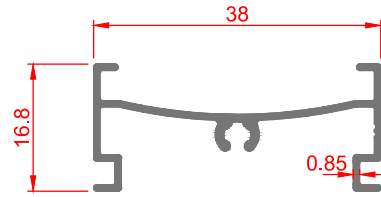
2398
0.250 Kg/m



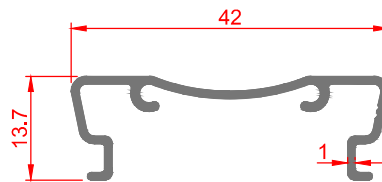
2397
0.709 Kg/m



2399
0.327 Kg/m

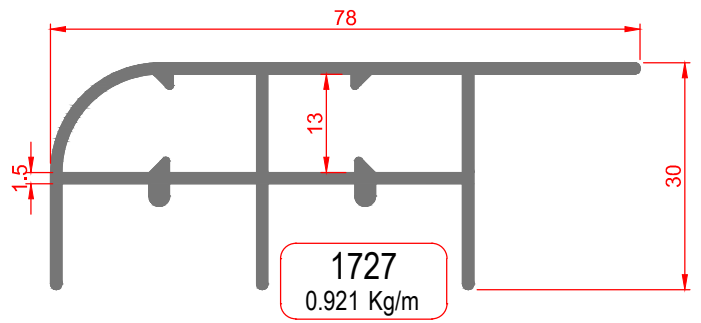
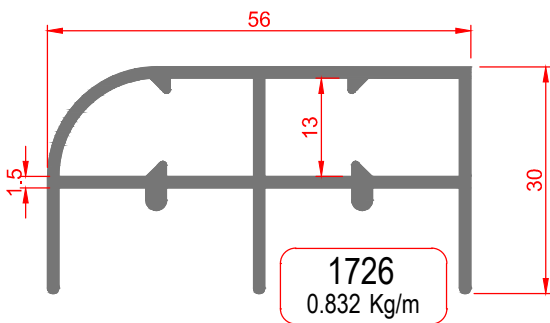
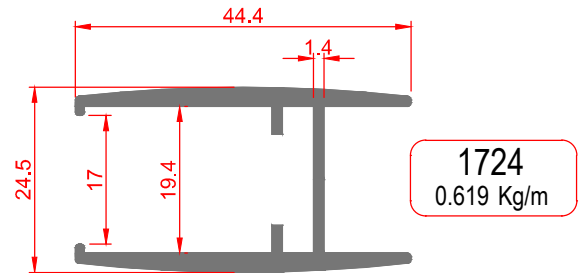
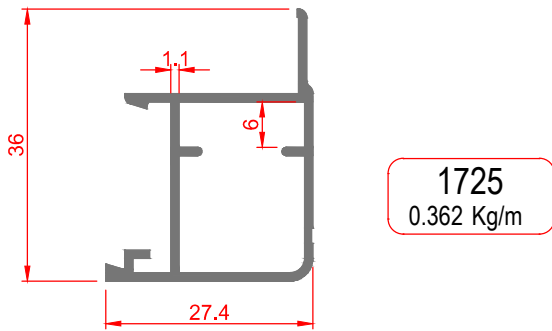
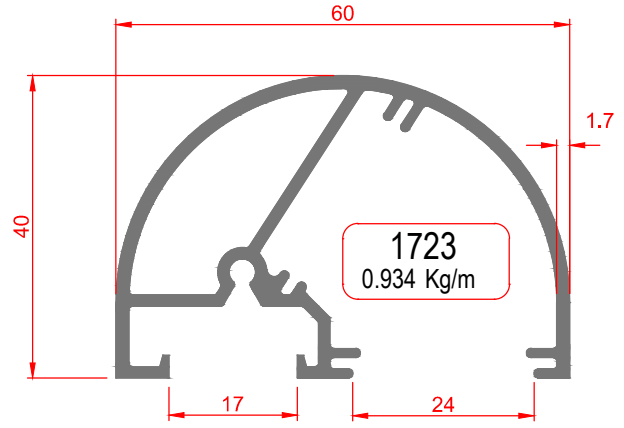
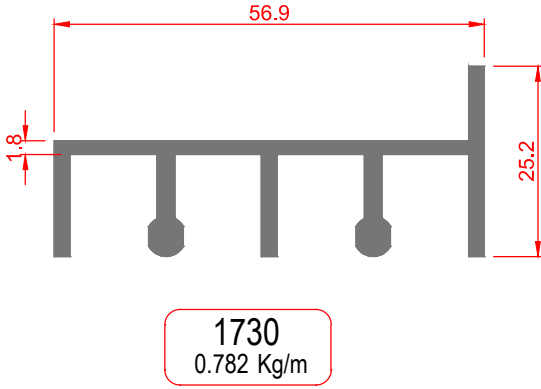
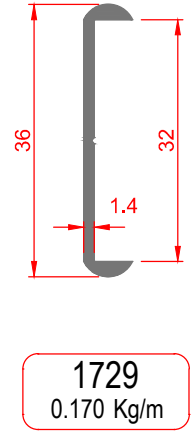
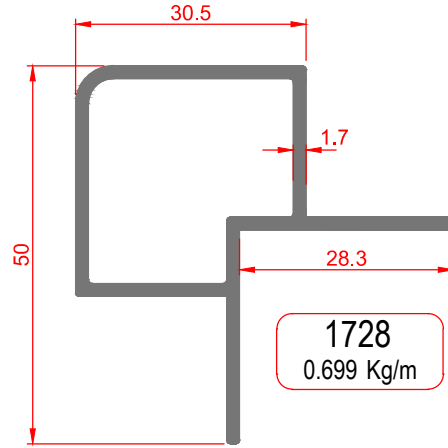
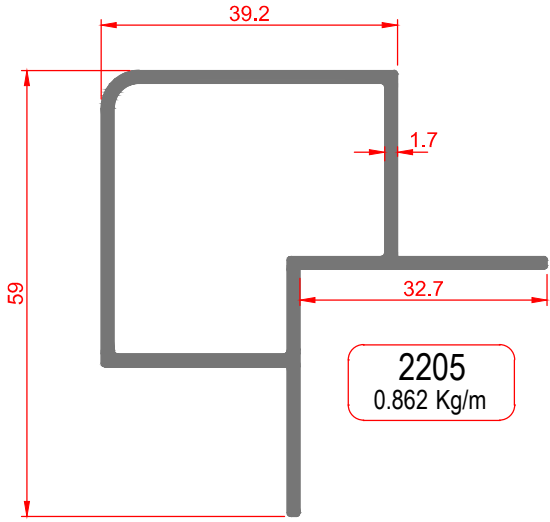


2400
0.227 Kg/m

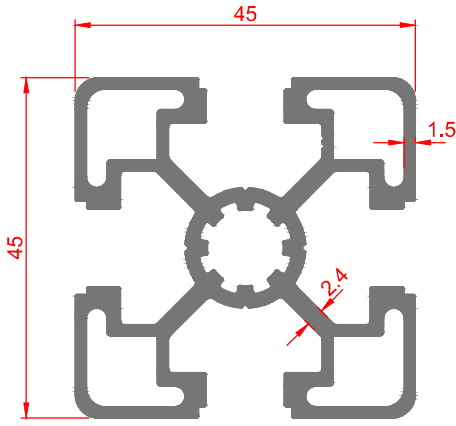


2401
0.240 Kg/m

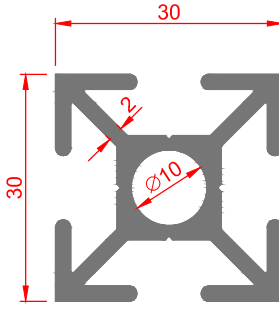
SOĞUTUCU PROFİLLERİ



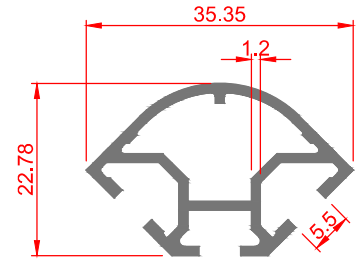
VİTRİN ve STAND PROFİLLERİ



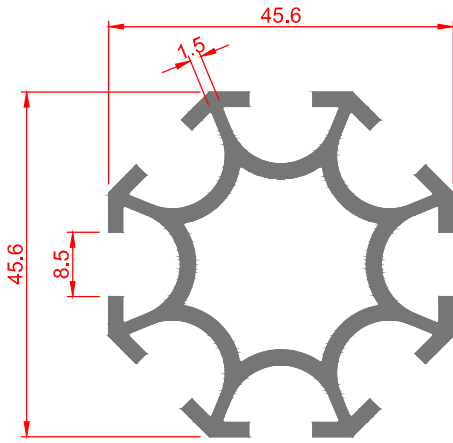
2533
1.565 Kg/m



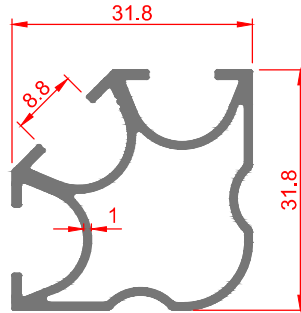
1684
0.899 Kg/m



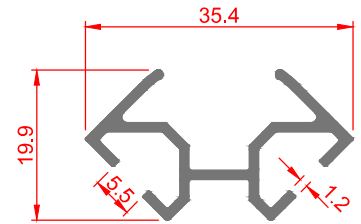
1421
0.393 Kg/m



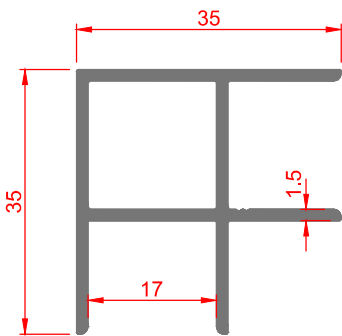
1694
1.166 Kg/m



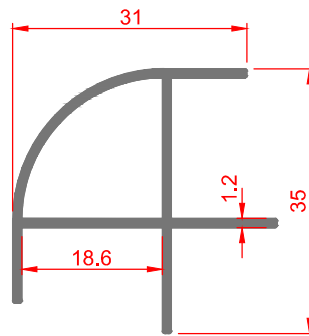
1217
0.470 Kg/m



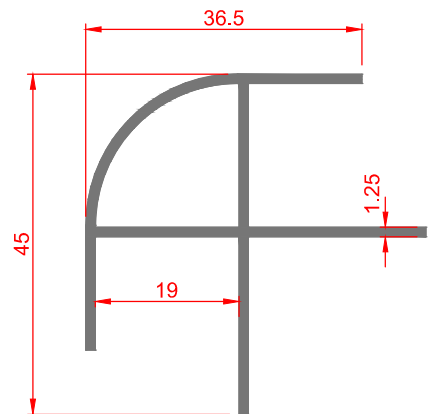
1239
0.307 Kg/m



3519
0.540 Kg/m

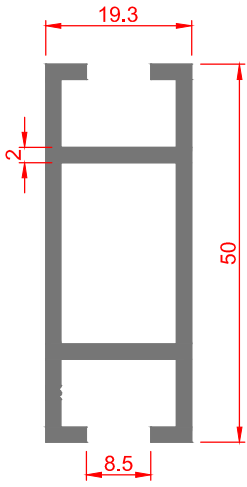


1183
0.385 Kg/m

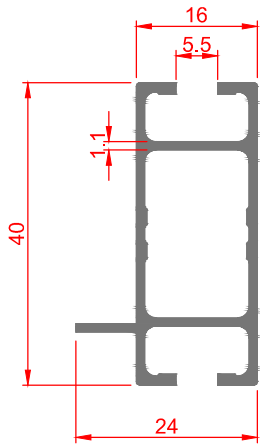


1182
0.505 Kg/m

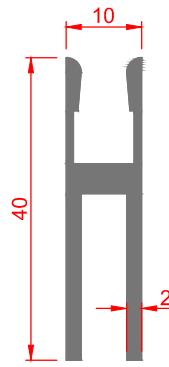
VİTRİN ve STAND PROFİLLERİ



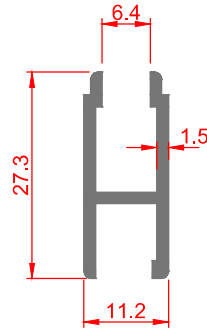
2224
0.779 Kg/m



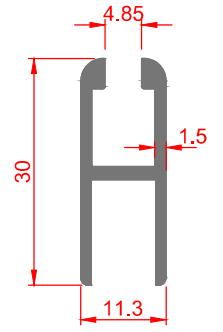
1685
0.427 Kg/m



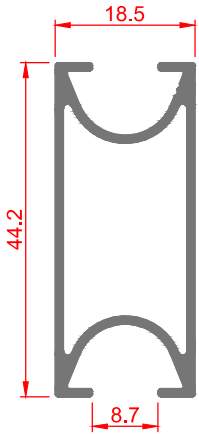
1691
0.448 Kg/m



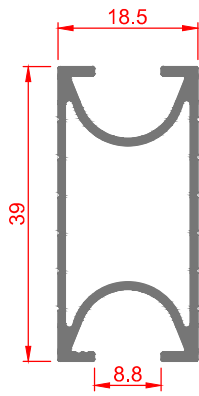
1689
0.269 Kg/m



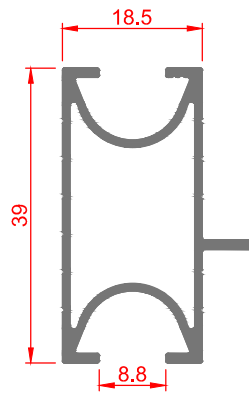
1690
0.300 Kg/m



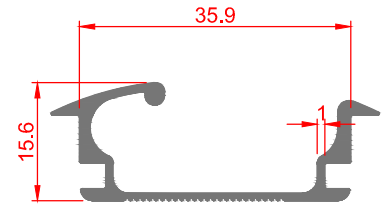
3431
0.467 Kg/m



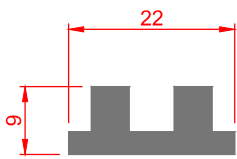
1216
0.404 Kg/m



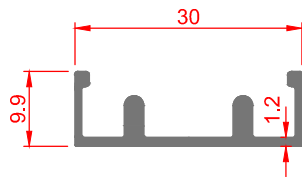
1215
0.428 Kg/m



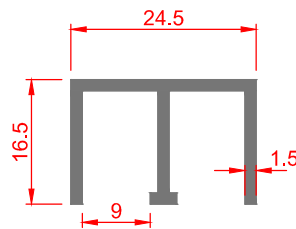
1686
0.284 Kg/m



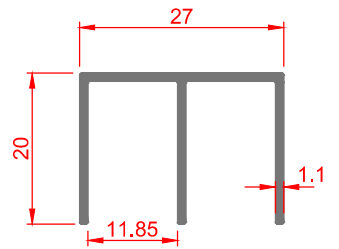
1687
0.340 Kg/m



1688
0.223 Kg/m

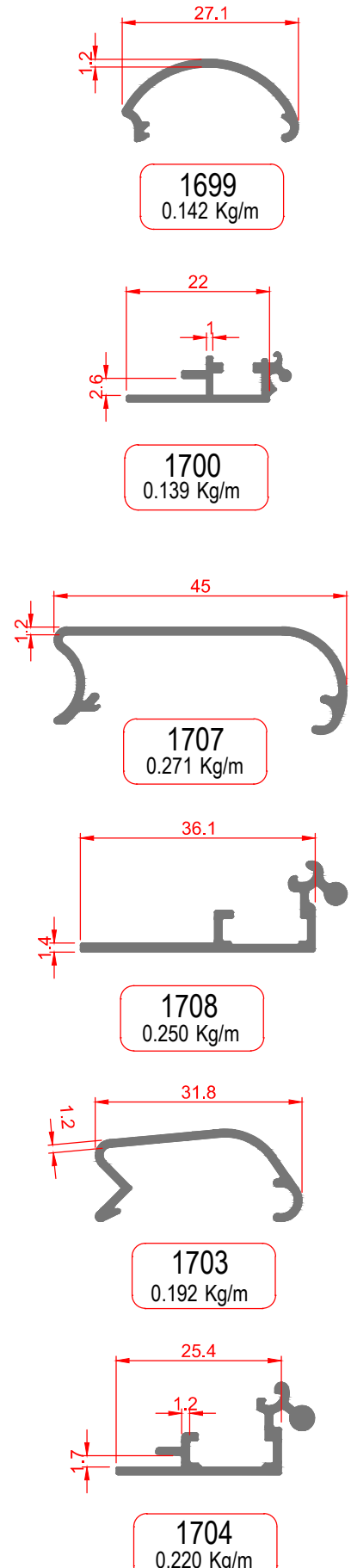
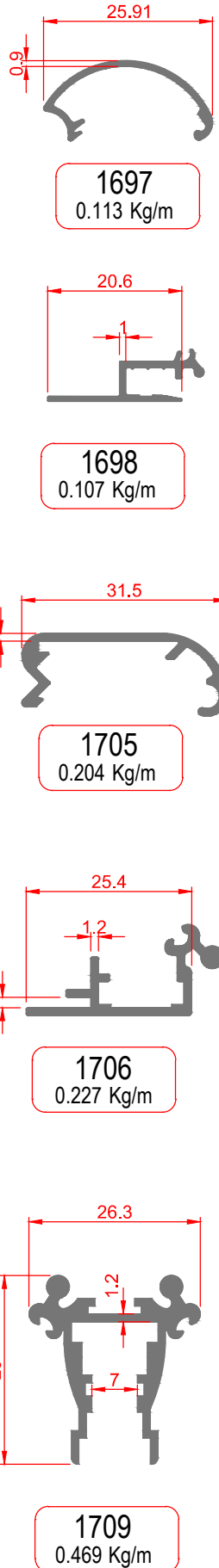
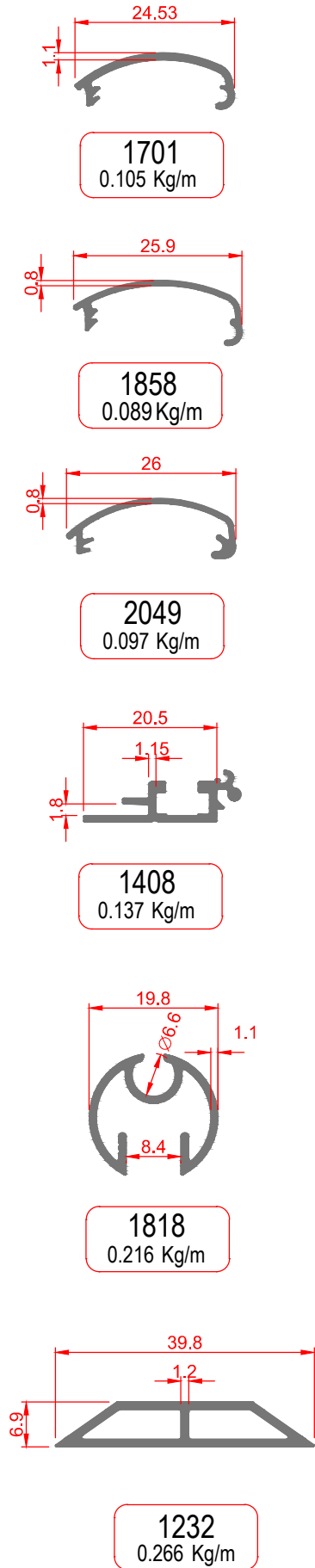


1696
0.289 Kg/m

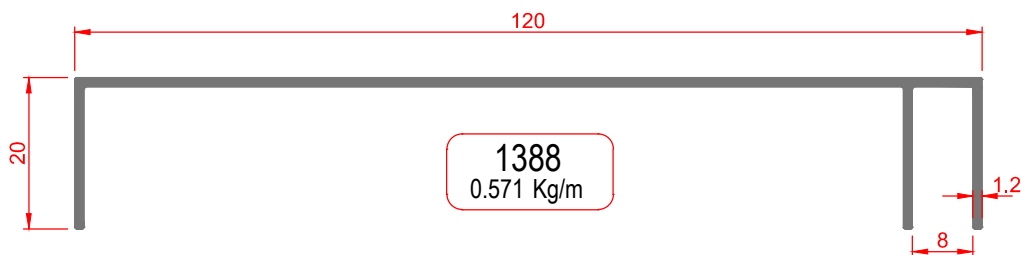
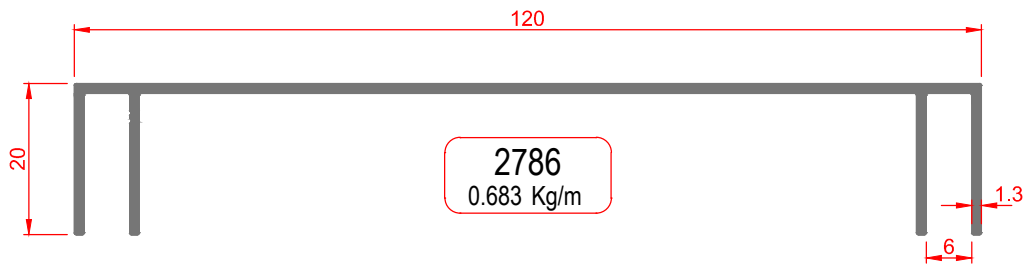
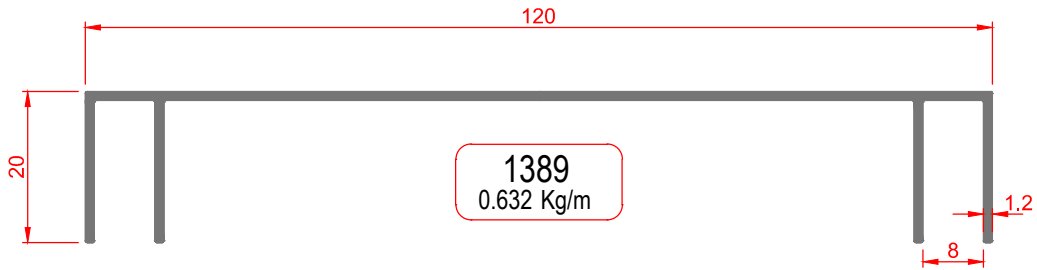
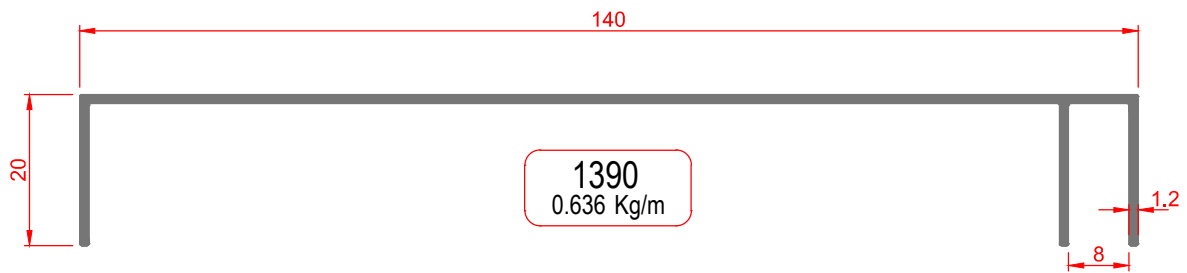
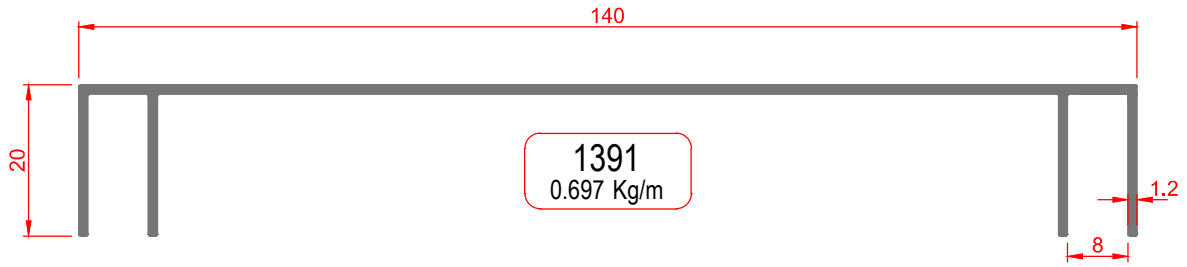


1692
0.248 Kg/m

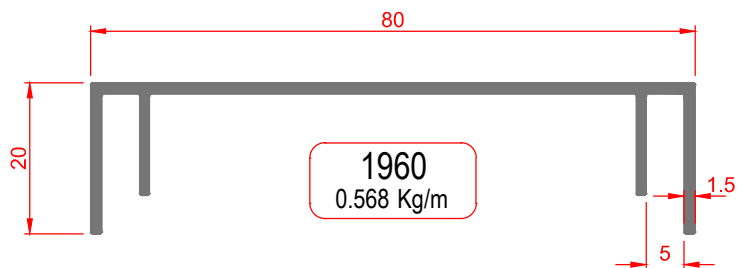
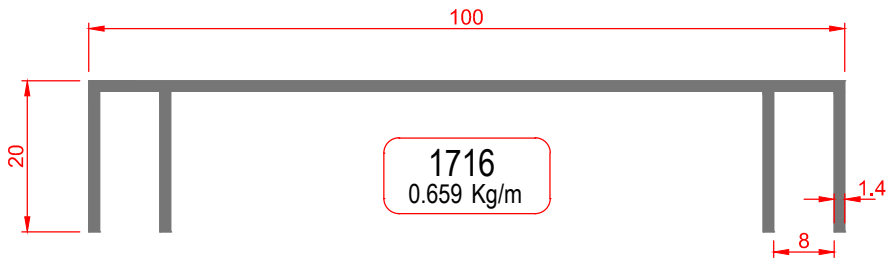
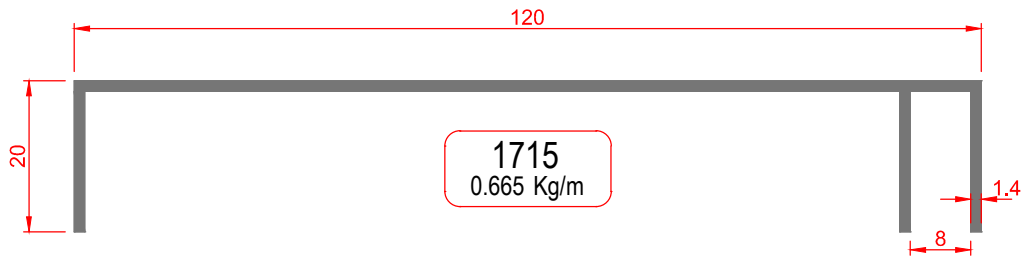
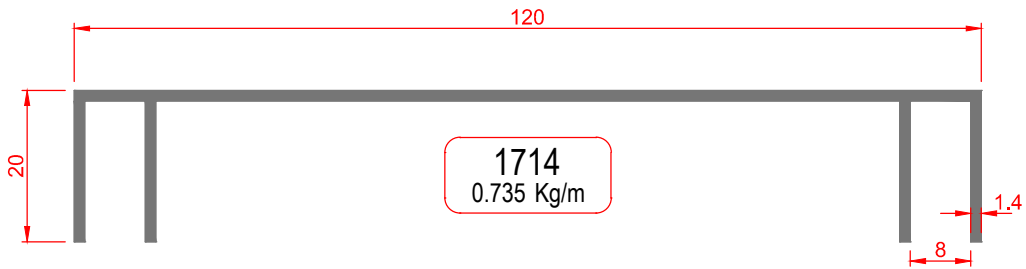
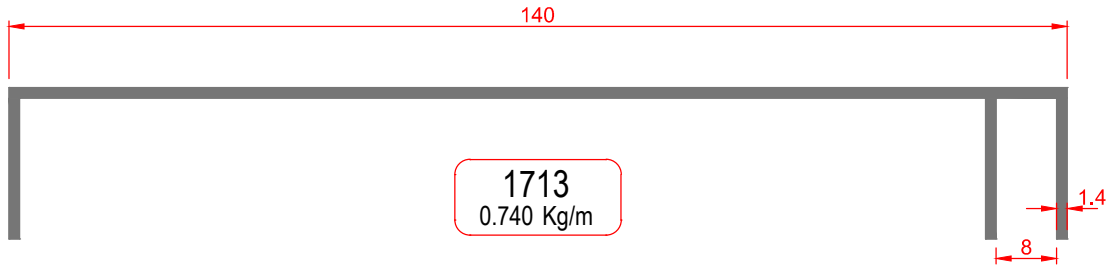
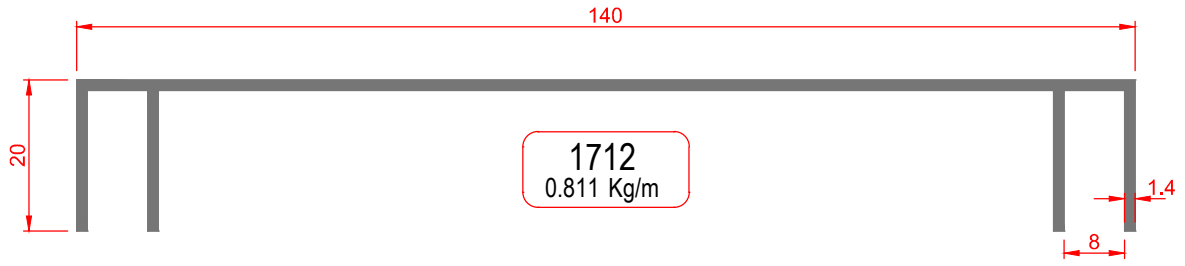
REKLAM PROFİLLERİ



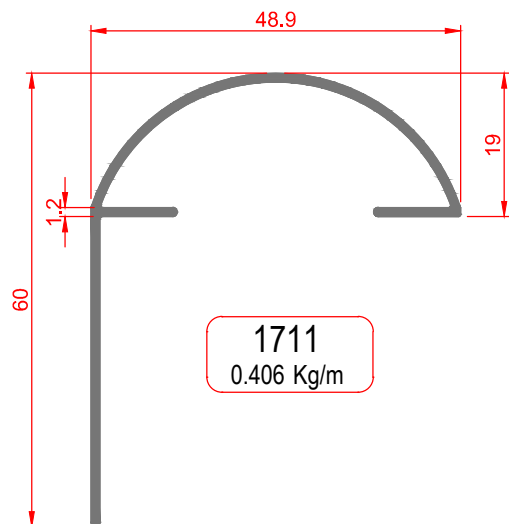
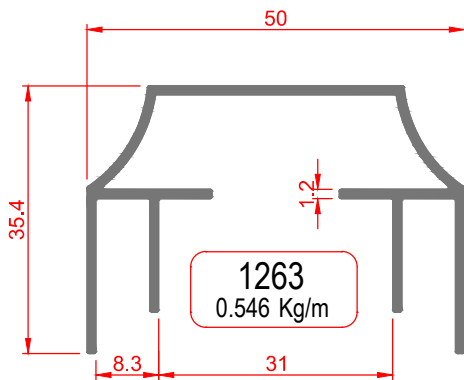
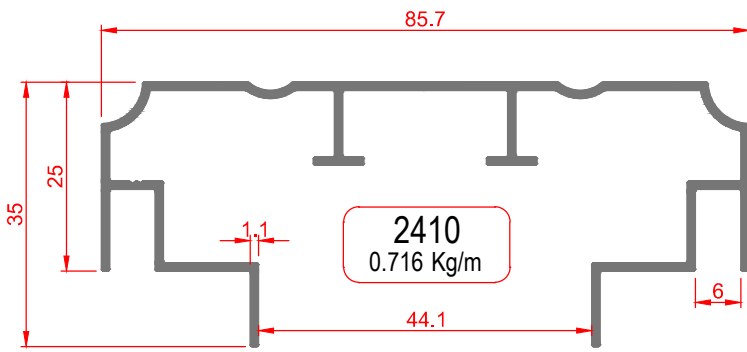
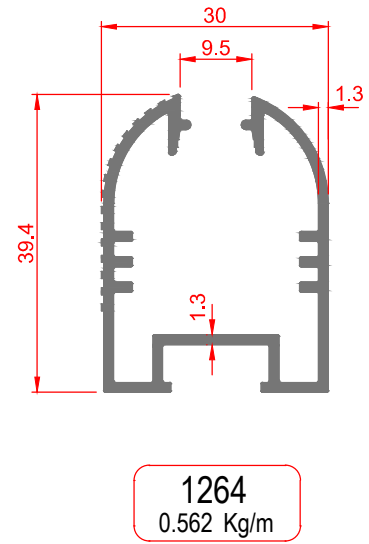
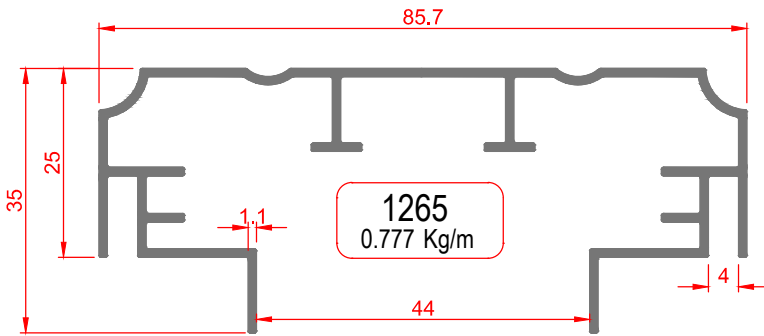
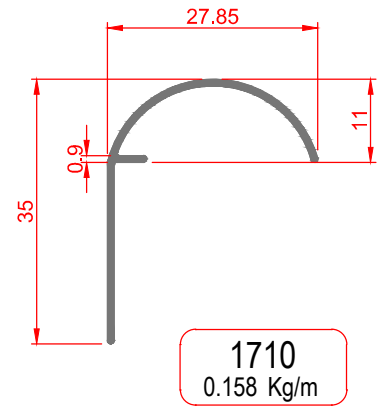
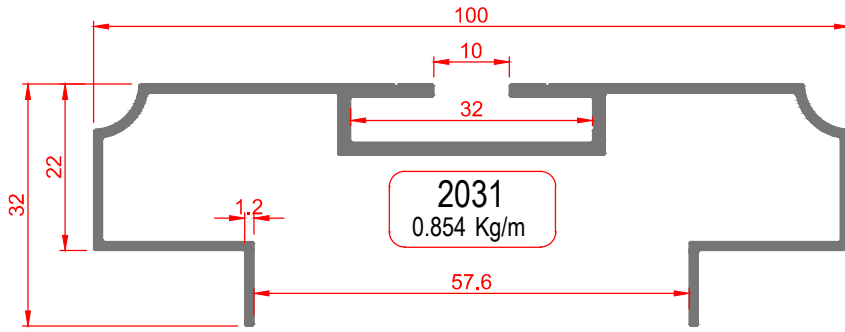
REKLAM PROFİLLERİ



REKLAM PROFİLLERİ

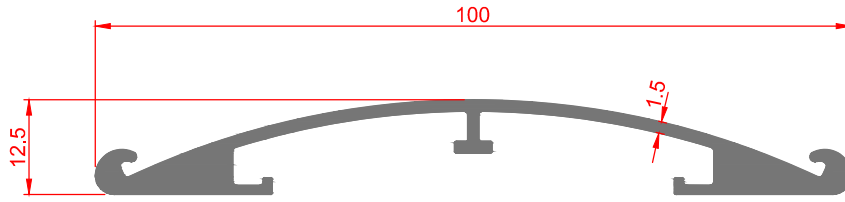


REKLAM PROFİLLERİ

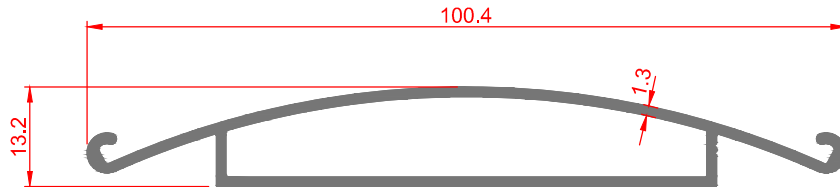


REKLAM PROFİLLERİ

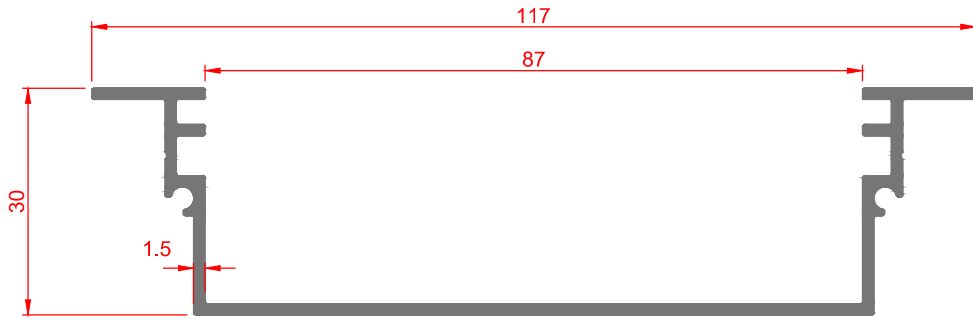
1717
0.842 Kg/m



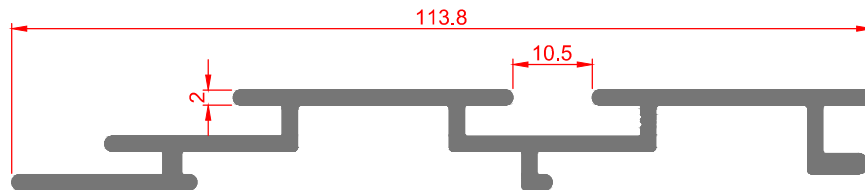
2896
0.675 Kg/m



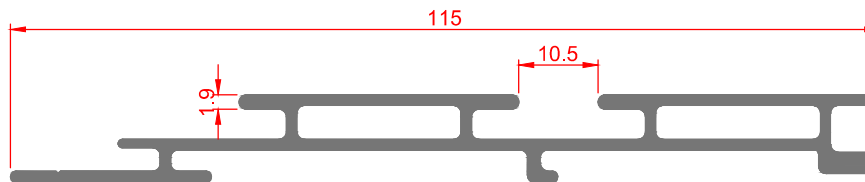
1259
0.784 Kg/m



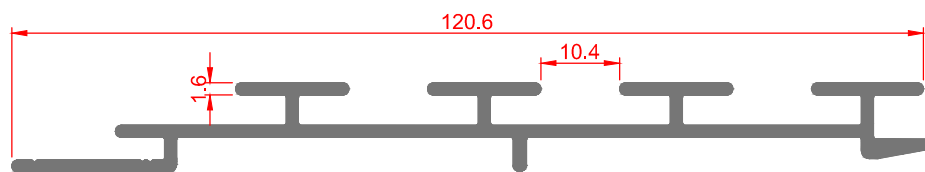
3366
1.024 Kg/m



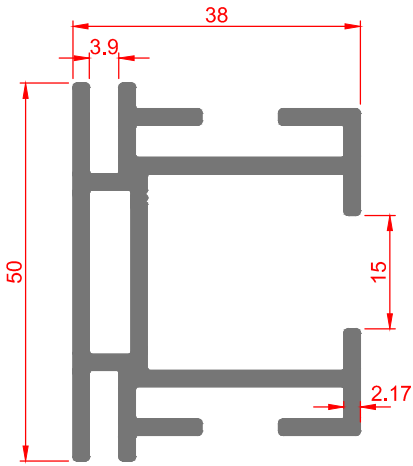
3657
0.940 Kg/m



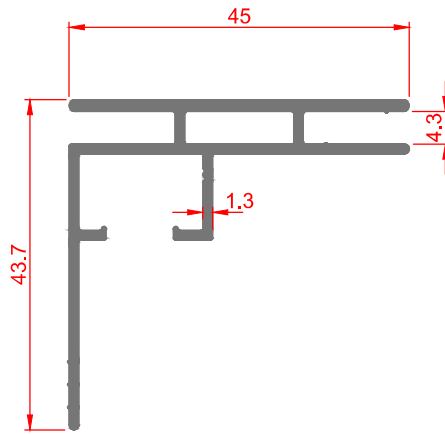
5155
0.932 Kg/m



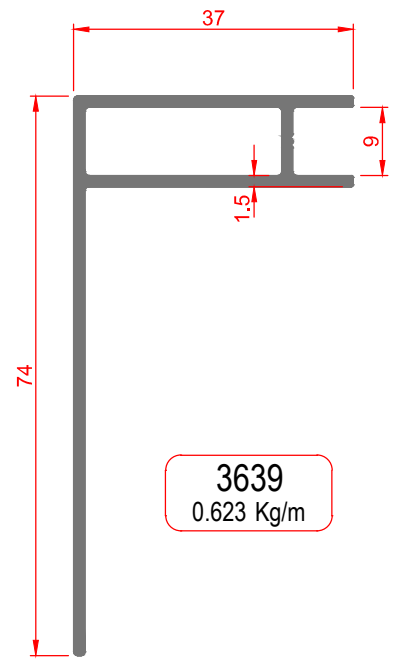
REKLAM PROFİLLERİ



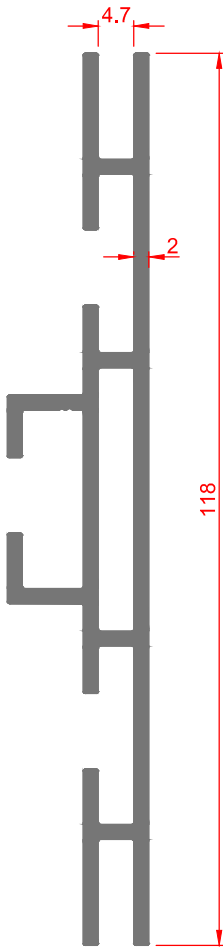
2787
1.339 Kg/m



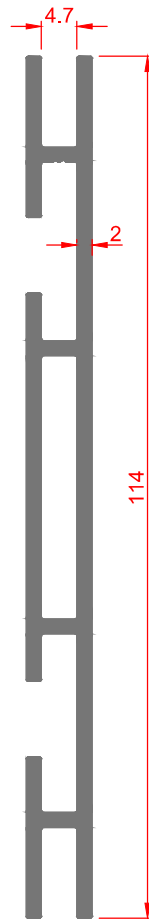
3637
0.577 Kg/m



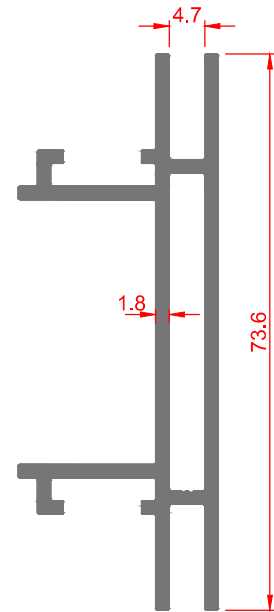
3639
0.623 Kg/m



4222
1.449 Kg/m

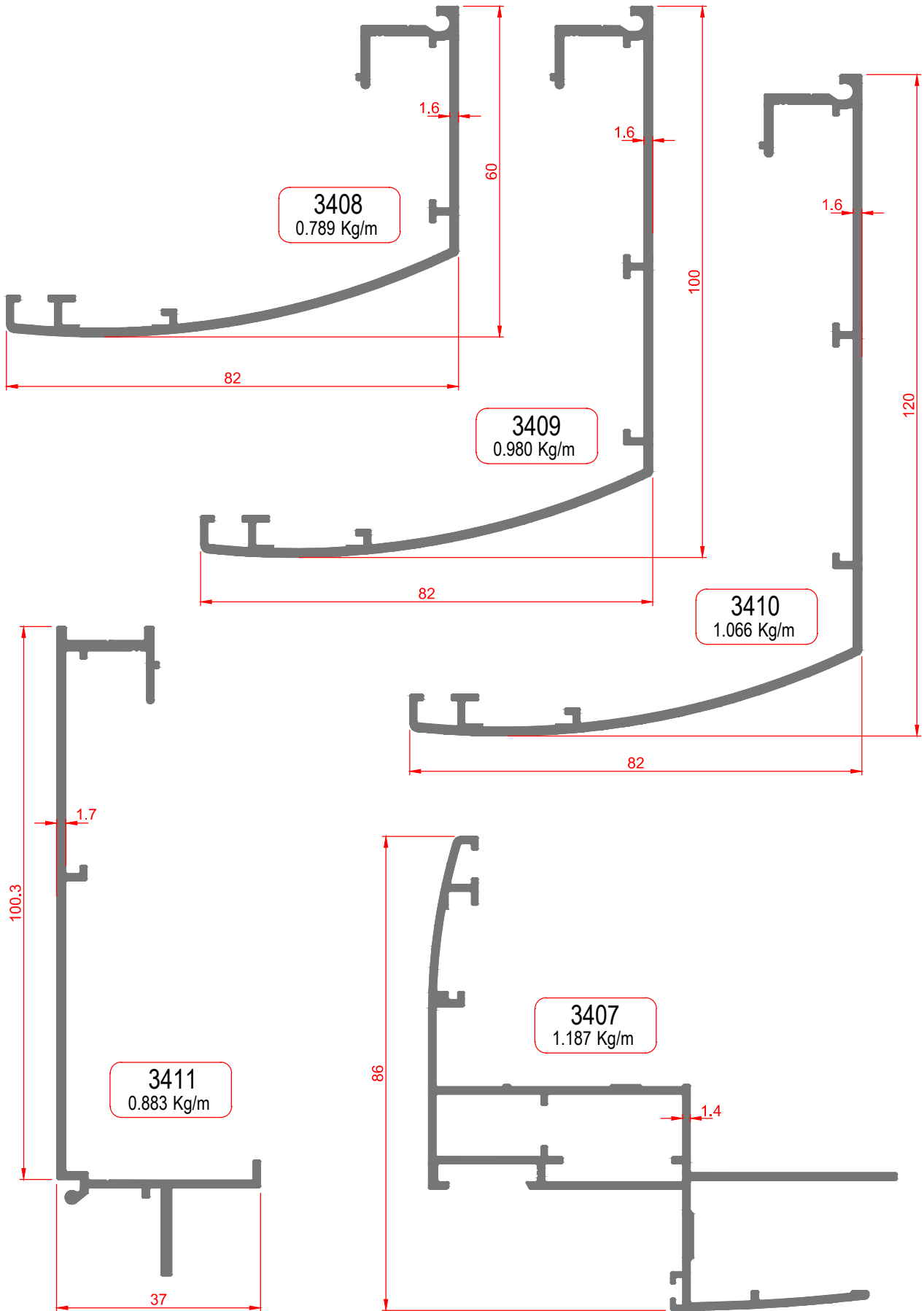


3416
1.224 Kg/m

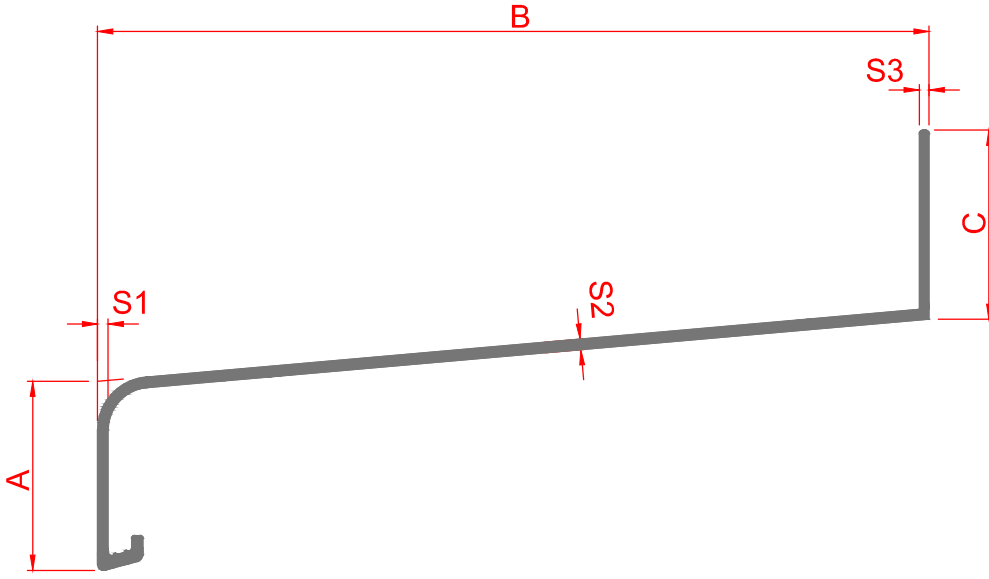


4221
1.019 Kg/m

KAPI KASASI PROFİLLERİ

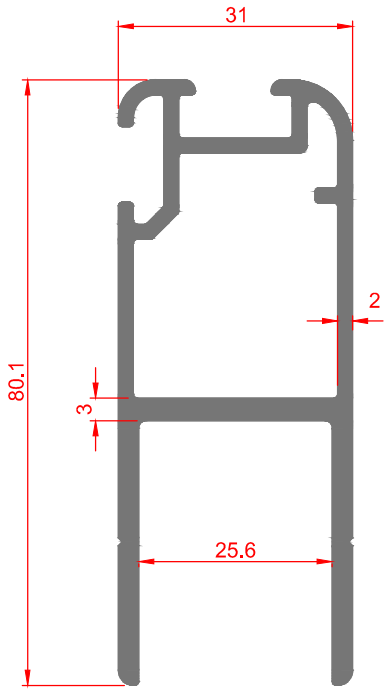


DENİZLİK PROFİLLERİ

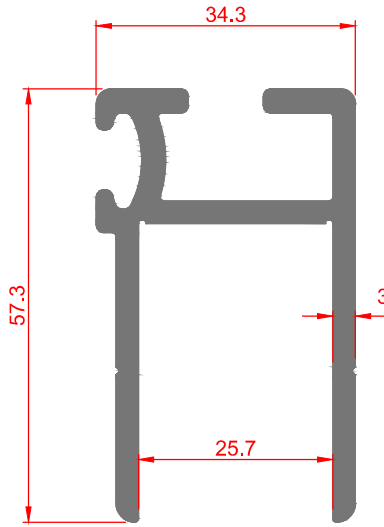


| PROFİL NO | A | B | C | S1 | S2 | S3 | GRAMAJ |
|-----------|----|-----|----|-----|-----|-----|------------|
| 4612 | 40 | 130 | 25 | 1.2 | 1.2 | 1.2 | 0.647 Kg/m |
| 4613 | 40 | 150 | 25 | 1.3 | 1.3 | 1.3 | 0.768 Kg/m |
| 4614 | 40 | 165 | 25 | 1.3 | 1.3 | 1.3 | 0.821 Kg/m |
| 4615 | 40 | 180 | 25 | 1.3 | 1.3 | 1.3 | 0.874 Kg/m |
| 4616 | 40 | 195 | 25 | 1.4 | 1.4 | 1.4 | 1.000 Kg/m |
| 4617 | 40 | 210 | 25 | 1.4 | 1.4 | 1.4 | 1.058 Kg/m |
| 4618 | 40 | 225 | 25 | 1.5 | 1.5 | 1.5 | 1.191 Kg/m |
| 4619 | 40 | 240 | 25 | 1.7 | 1.7 | 1.7 | 1.412 Kg/m |
| 4620 | 40 | 260 | 25 | 2.1 | 2.1 | 2.1 | 1.851 Kg/m |
| 4621 | 40 | 280 | 25 | 2.1 | 2.1 | 2.1 | 1.965 Kg/m |
| 4622 | 40 | 300 | 25 | 2.2 | 2.2 | 2.2 | 2.176 Kg/m |
| 4623 | 40 | 320 | 25 | 2.2 | 2.2 | 2.2 | 2.295 Kg/m |
| 4624 | 40 | 340 | 25 | 2.2 | 2.2 | 2.2 | 2.414 Kg/m |

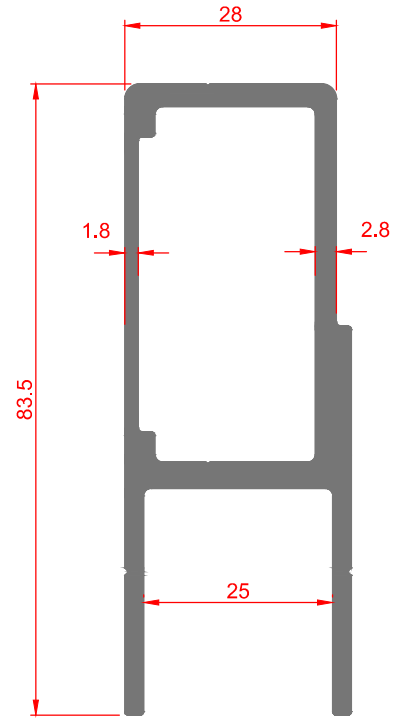
KAROSER PROFİLLERİ



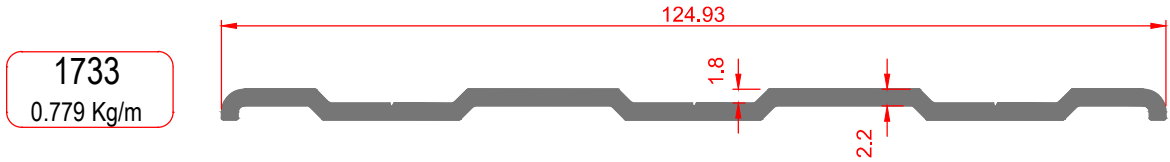
1029
1.476 Kg/m



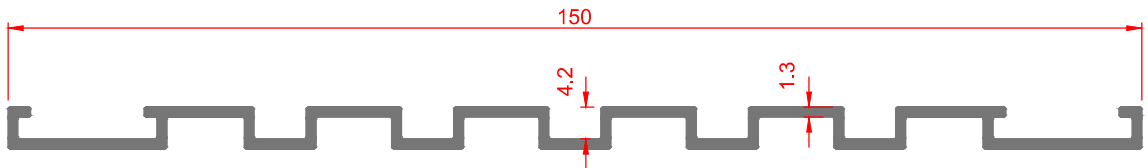
1732
1.332 Kg/m



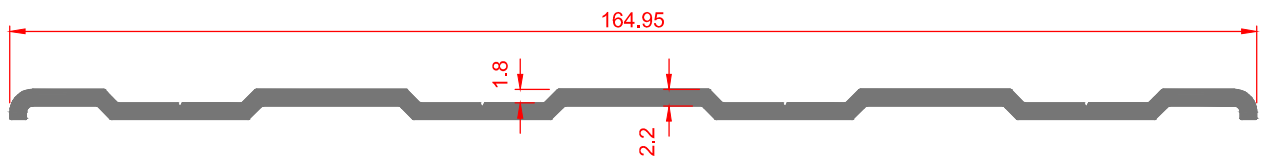
1137
1.640 Kg/m



1733
0.779 Kg/m

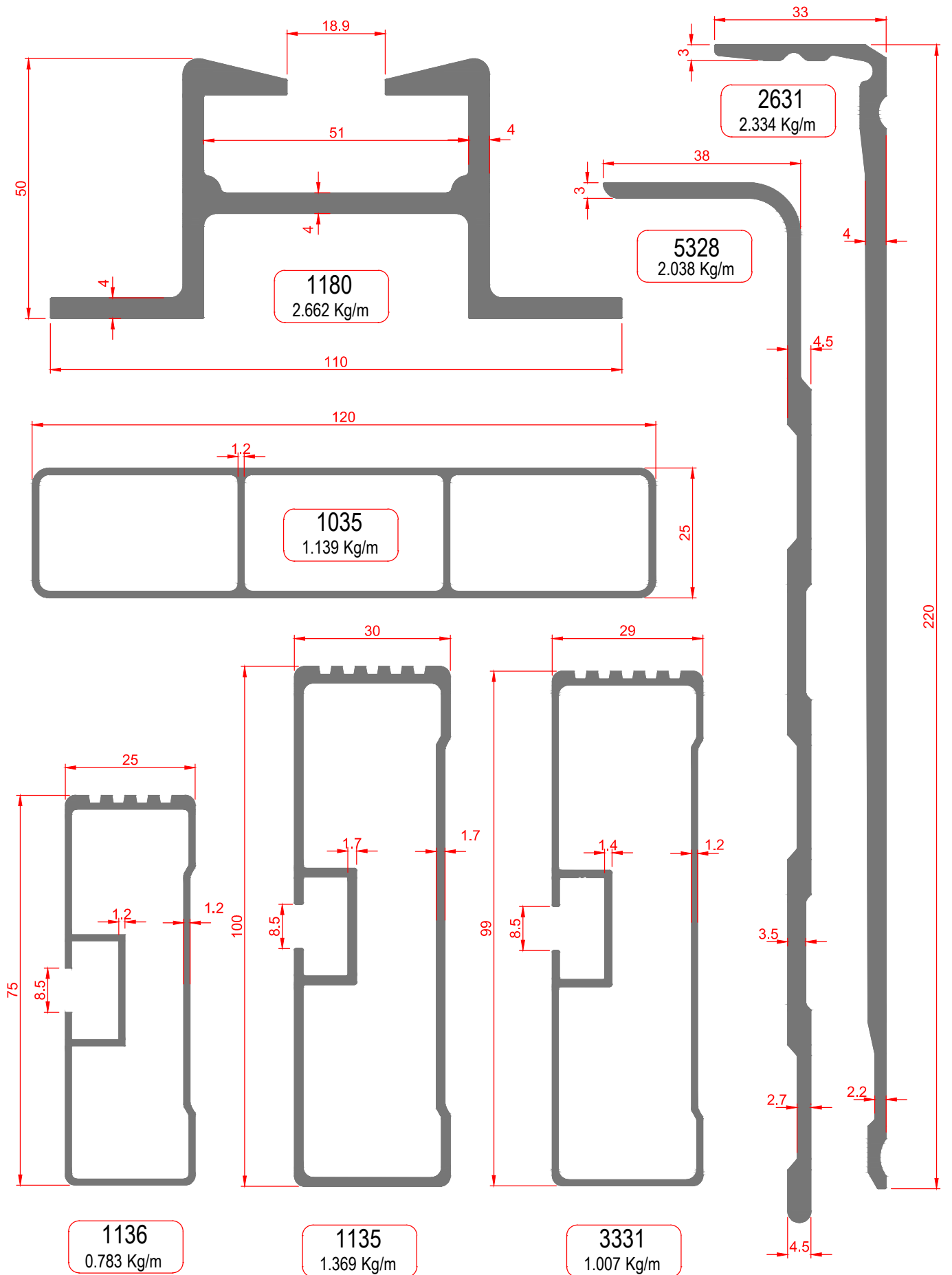


1153
0.757 Kg/m

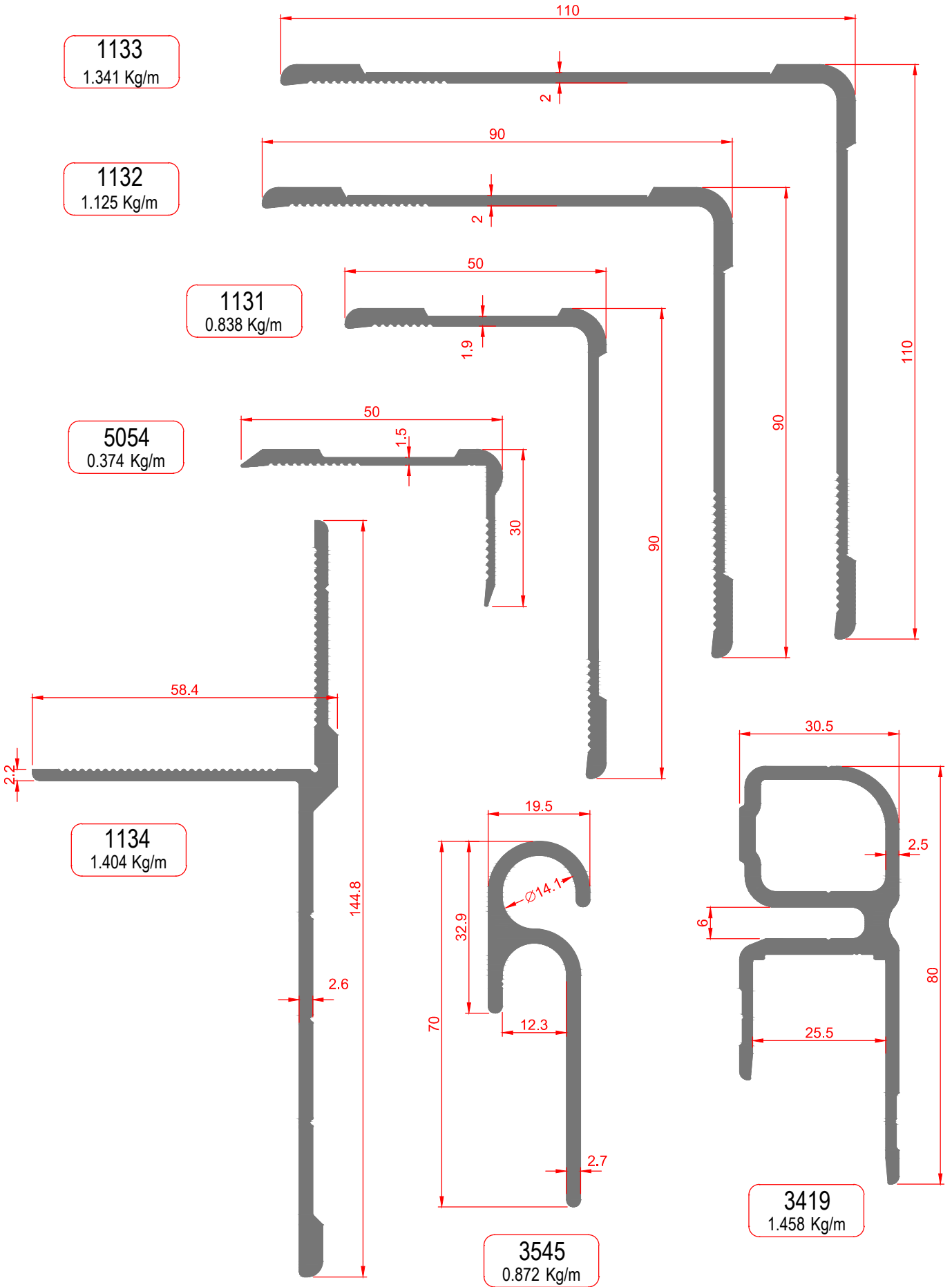


1734
1.025 Kg/m

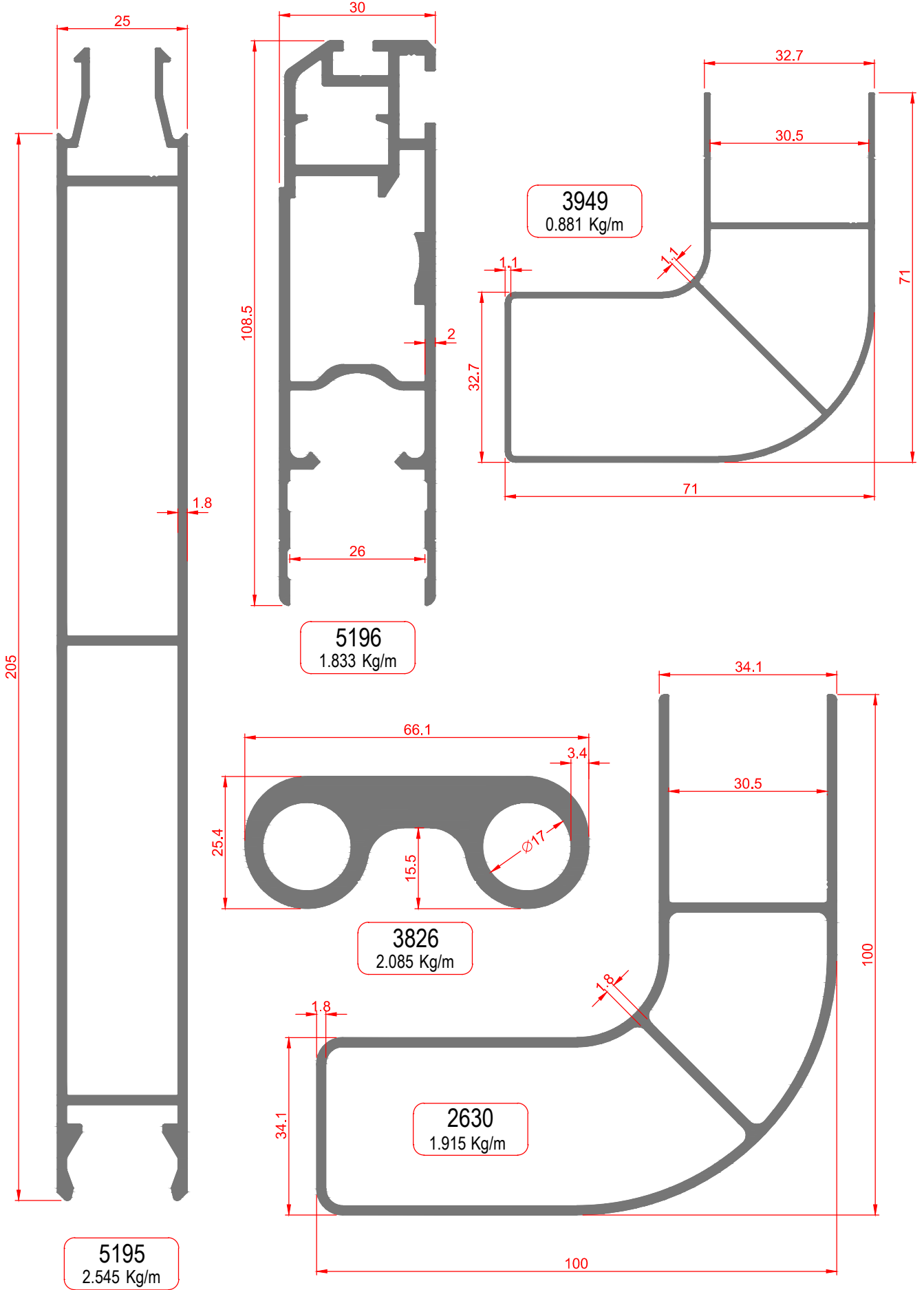
KAROSER PROFİLLERİ



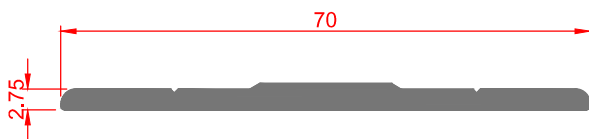
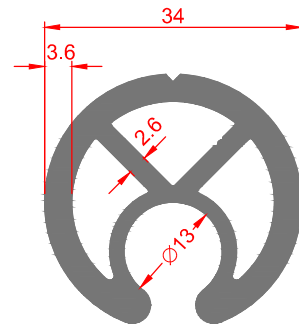
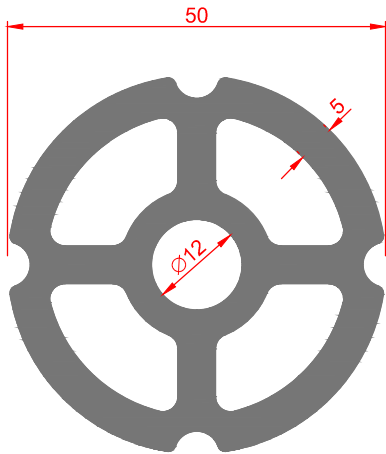
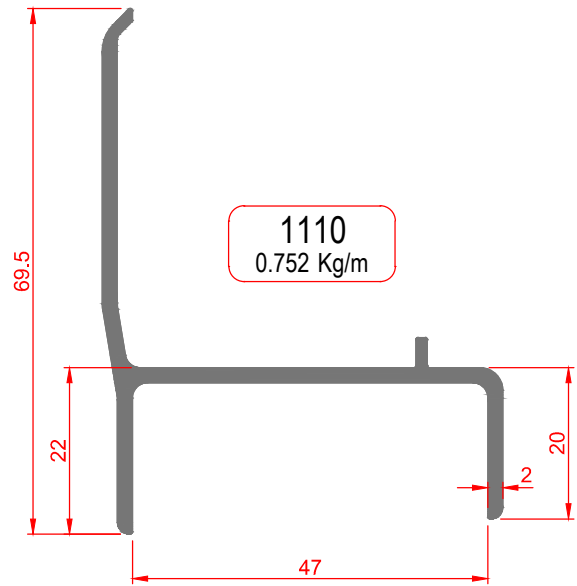
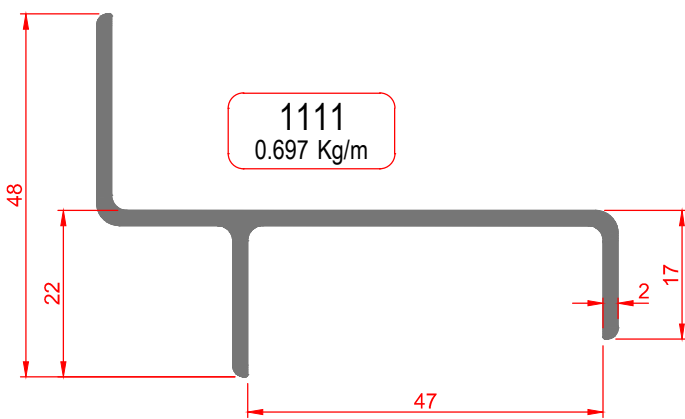
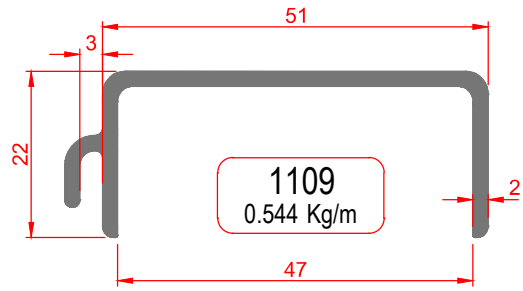
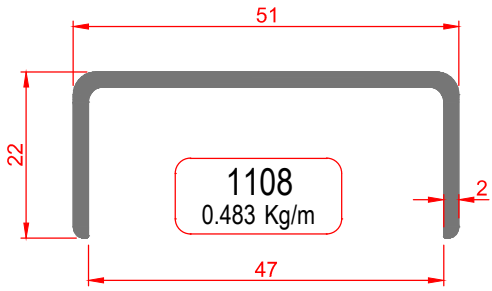
KAROSER PROFİLLERİ



KAROSER PROFİLLERİ

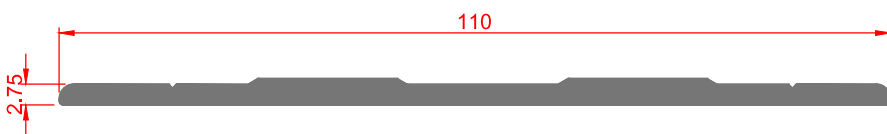


KAROSER PROFİLLERİ



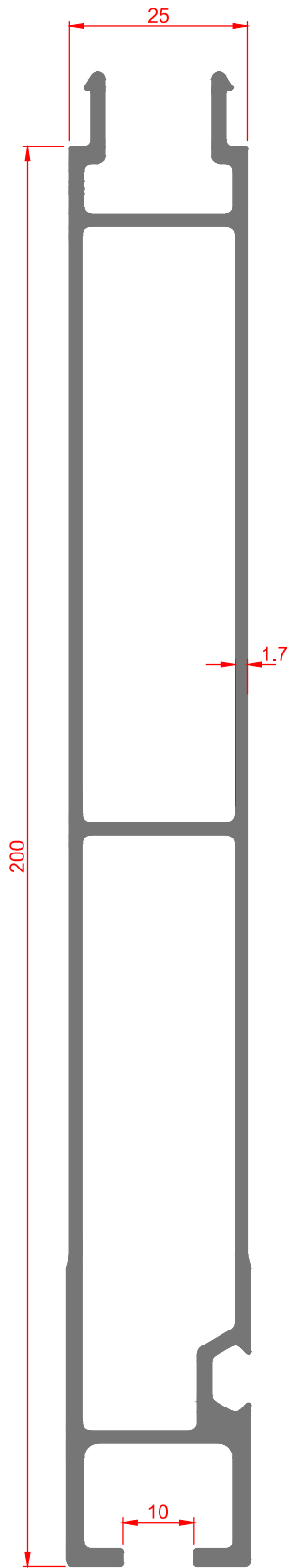
1112
0.551 Kg/m

3546
1.207 Kg/m

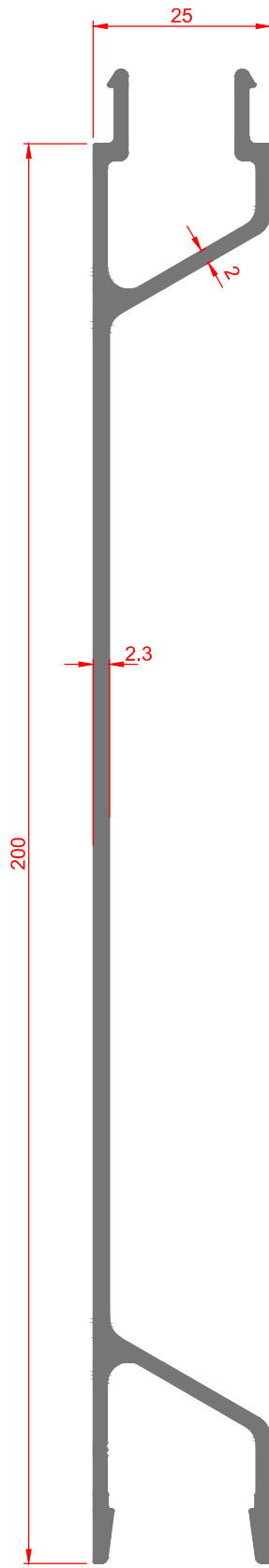


1113
0.890 Kg/m

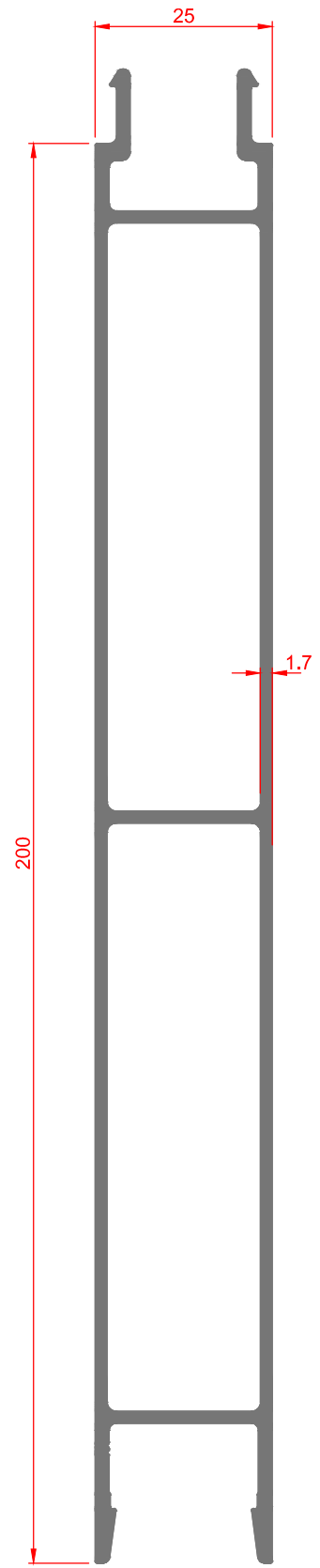
KAROSER PROFİLLERİ



2655
2.600 Kg/m

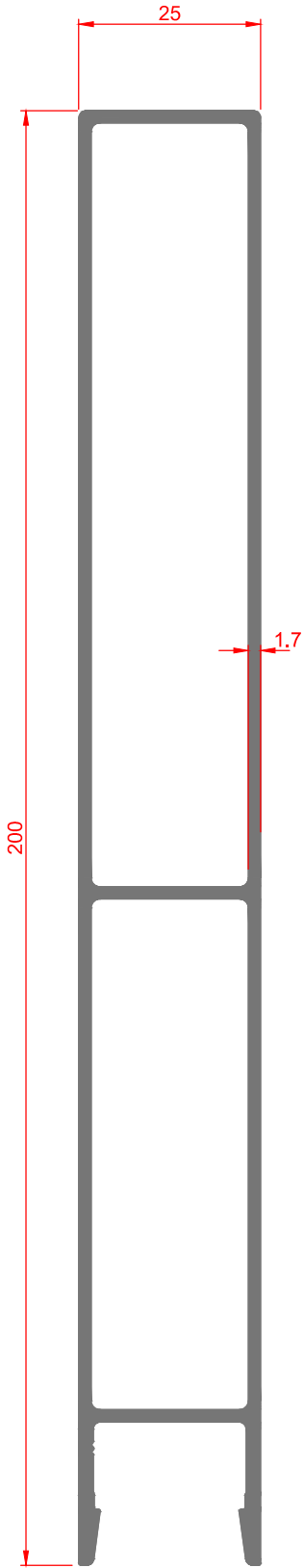


2656
1.842 Kg/m

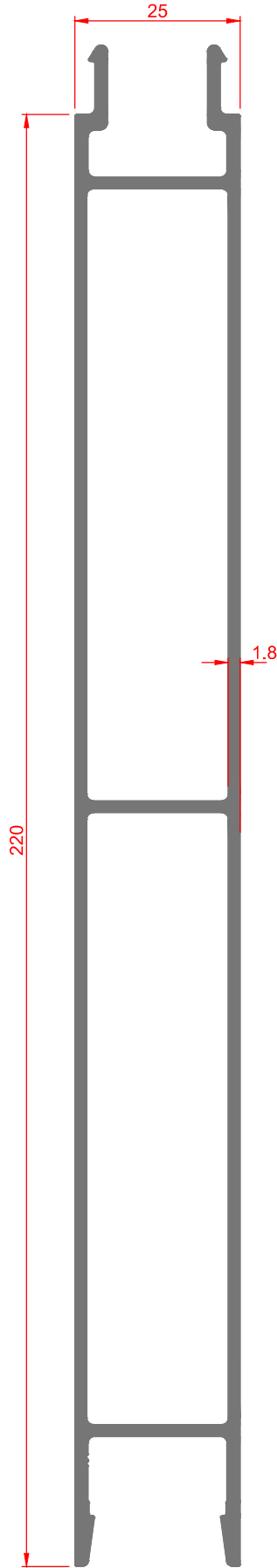


2657
2.364 Kg/m

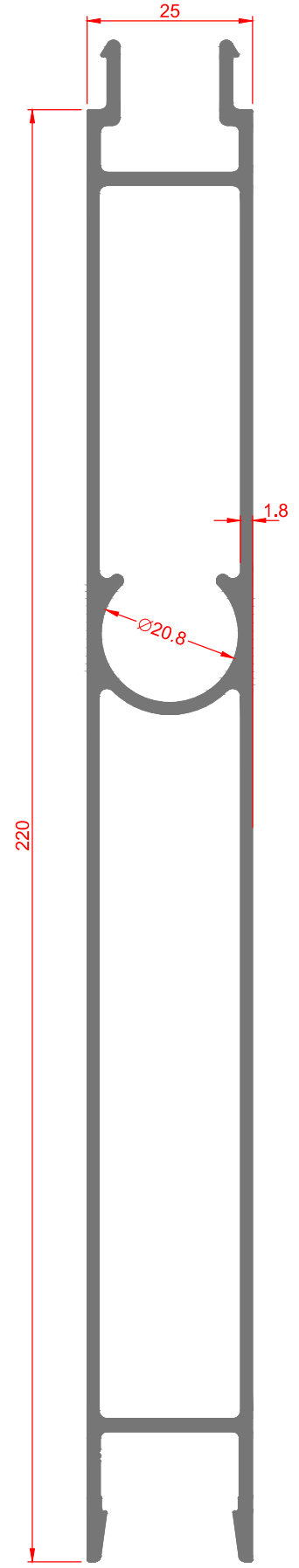
KAROSER PROFİLLERİ



2658
2.192 Kg/m

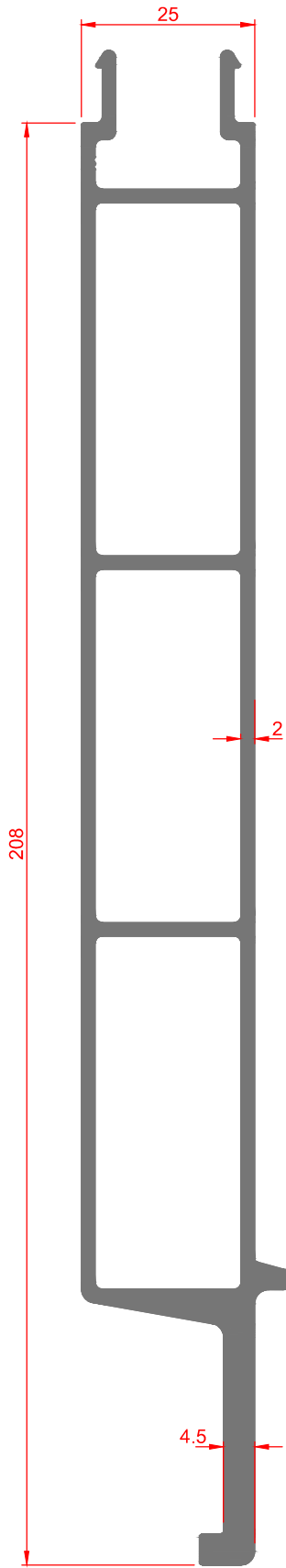


2661
2.662 Kg/m

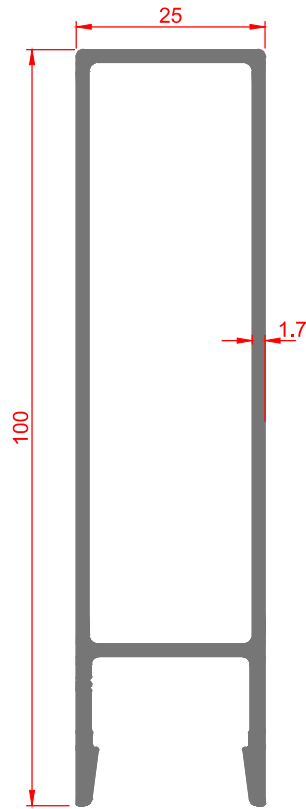


2662
2.808 Kg/m

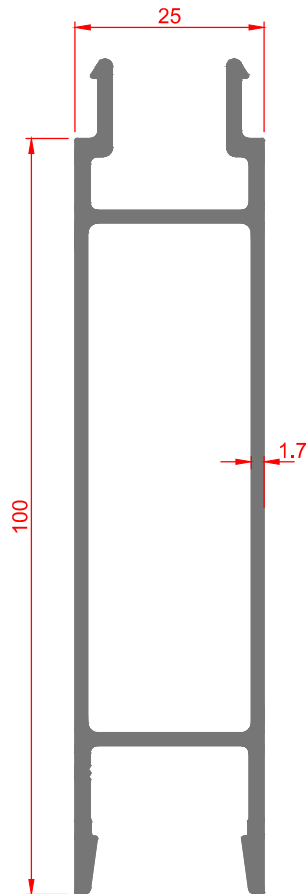
KAROSER PROFİLLERİ



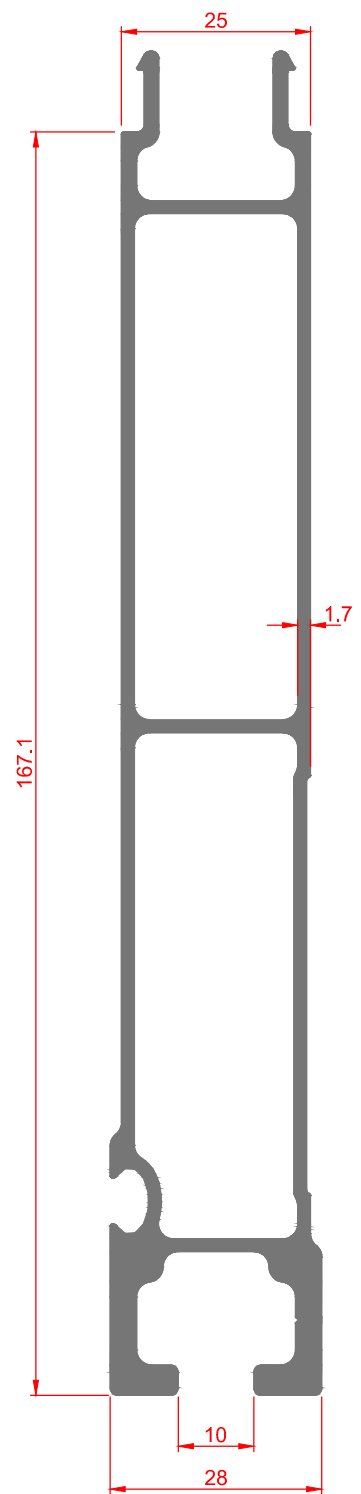
2664
3.083 Kg/m



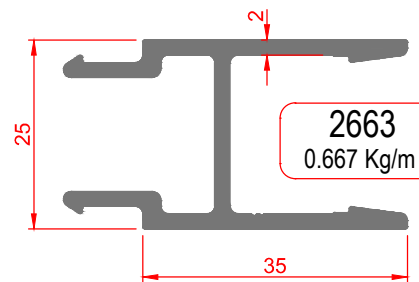
2660
1.172 Kg/m



2659
1.343 Kg/m

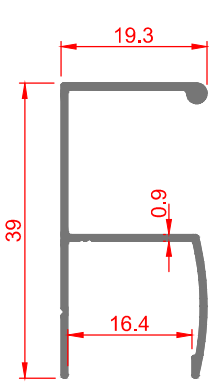


1419
2.462 Kg/m

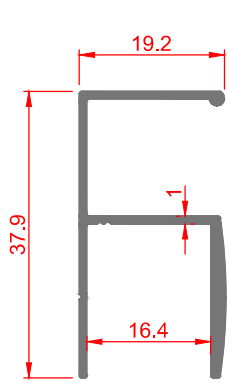


2663
0.667 Kg/m

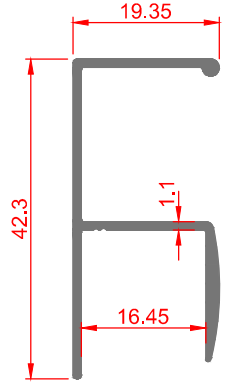
MOBİLYA ve DEKORASYON PROFİLLERİ



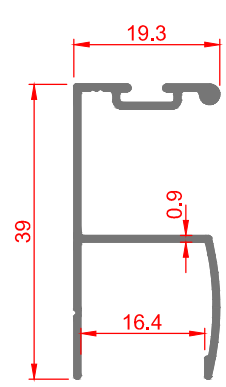
3796
0.237 Kg/m



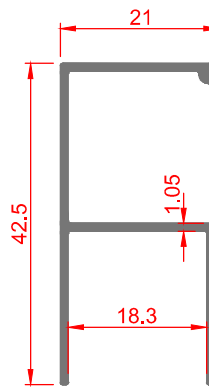
2277
0.299 Kg/m



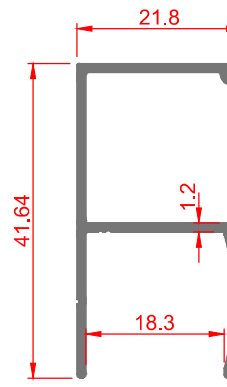
3801
0.304 Kg/m



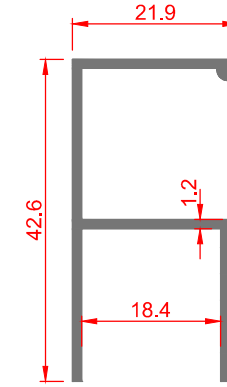
3797
0.255 Kg/m



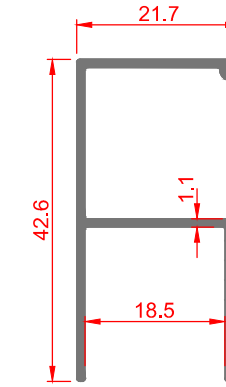
1041
0.318 Kg/m



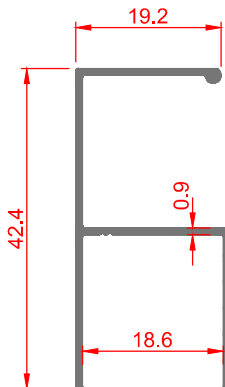
2201
0.335 Kg/m



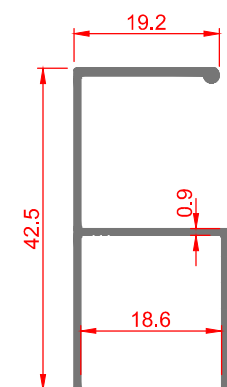
1743
0.395 Kg/m



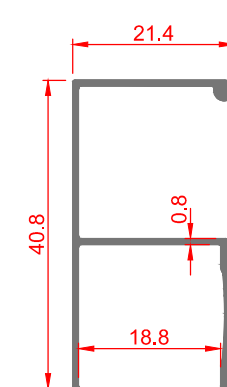
1020
0.368 Kg/m



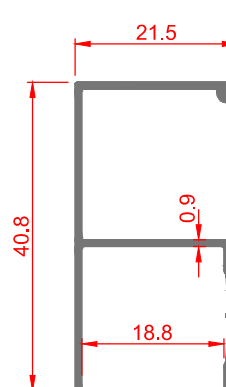
3856
0.268 Kg/m



1084
0.301 Kg/m

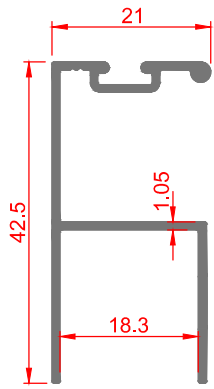


1349
0.242 Kg/m

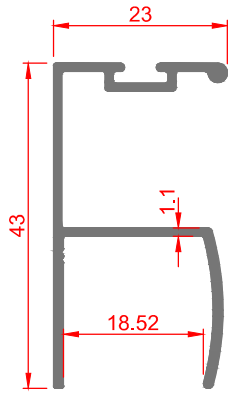


3866
0.264 Kg/m

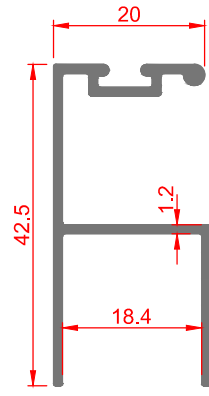
MOBİLYA ve DEKORASYON PROFİLLERİ



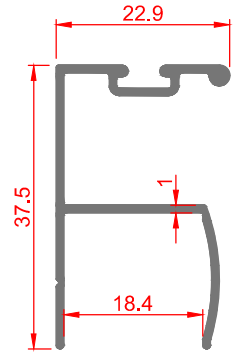
2843
0.328 Kg/m



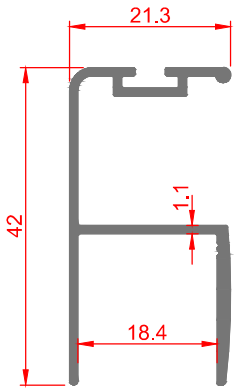
2429
0.364 Kg/m



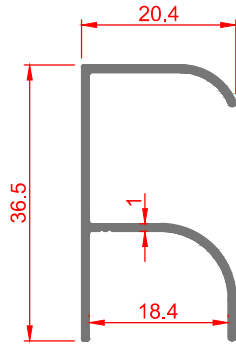
1235
0.401 Kg/m



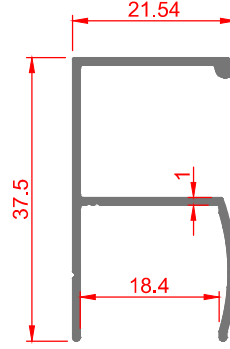
1422
0.295 Kg/m



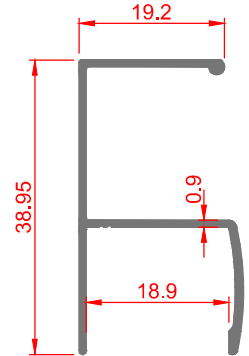
3894
0.356 Kg/m



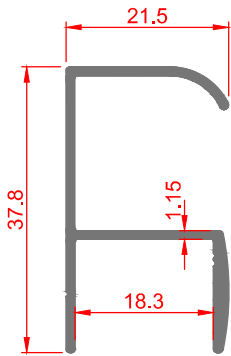
3920
0.236 Kg/m



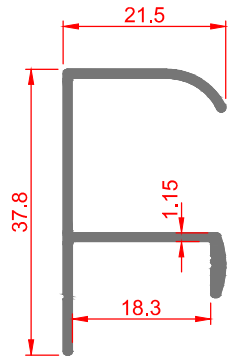
2003
0.265 Kg/m



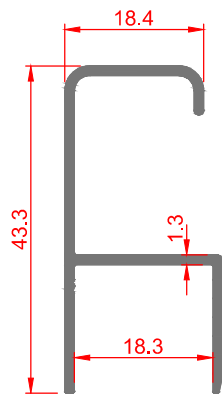
2276
0.242 Kg/m



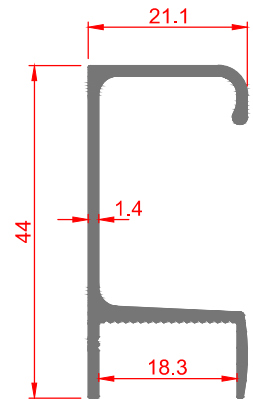
2445
0.321 Kg/m



2446
0.286 Kg/m

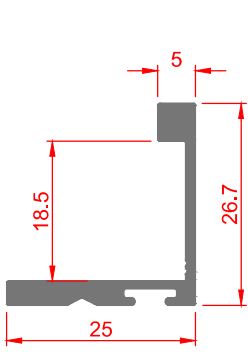


2527
0.368 Kg/m

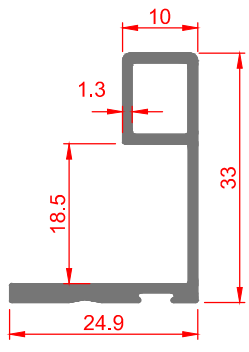


4798
0.389 Kg/m

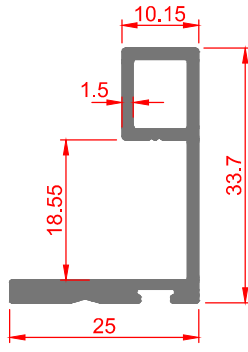
MOBİLYA ve DEKORASYON PROFİLLERİ



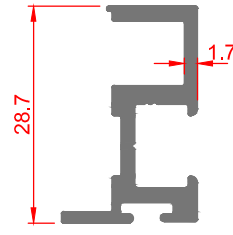
5266
0.308 Kg/m



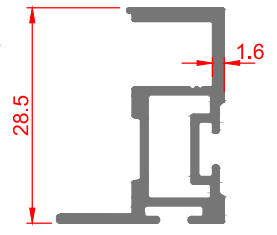
1358
0.348 Kg/m



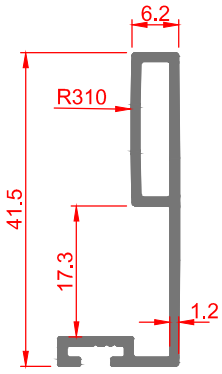
2485
0.409 Kg/m



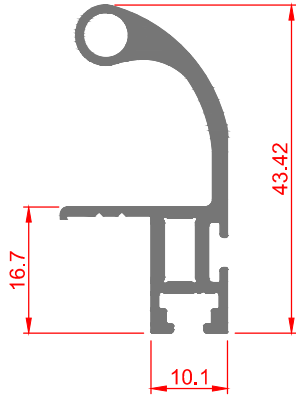
3379
0.376 Kg/m



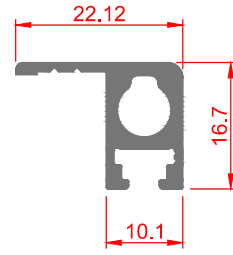
3380
0.349 Kg/m



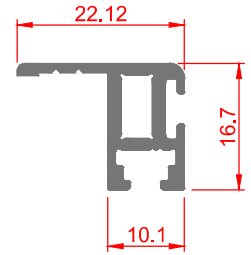
1400
0.312 Kg/m



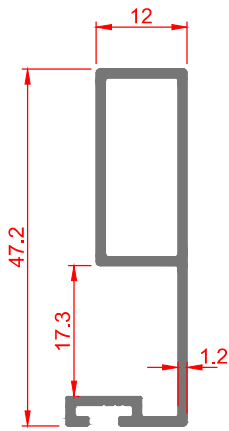
3876
0.529 Kg/m



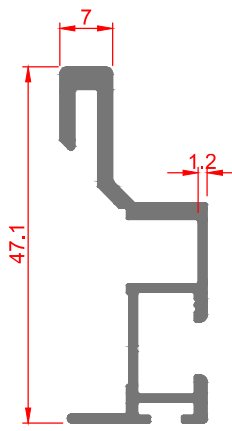
3874
0.284 Kg/m



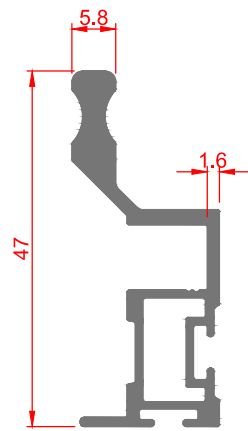
3875
0.263 Kg/m



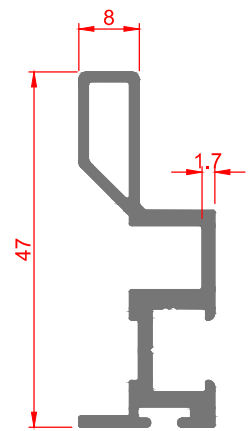
1399
0.375 Kg/m



2841
0.471 Kg/m

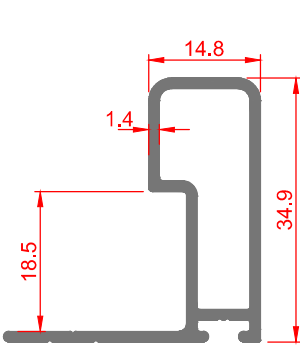


3377
0.546 Kg/m

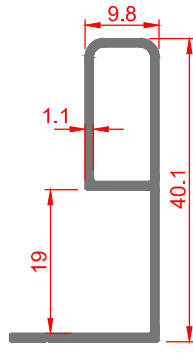


3378
0.533 Kg/m

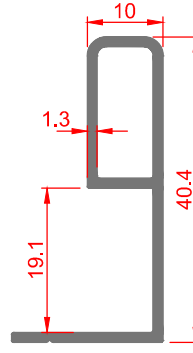
MOBİLYA ve DEKORASYON PROFİLLERİ



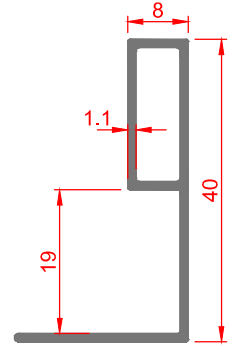
1950
0.446 Kg/m



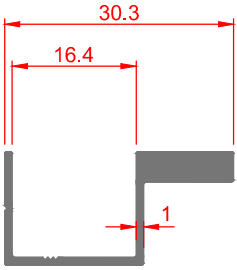
1749
0.274 Kg/m



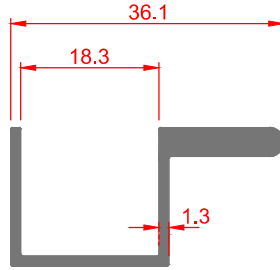
1039
0.324 Kg/m



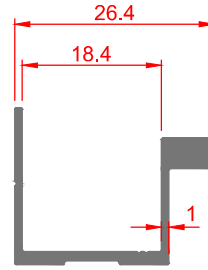
1357
0.277 Kg/m



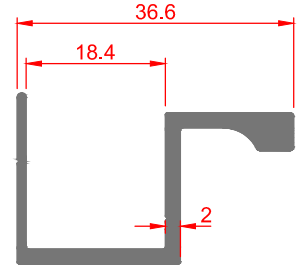
1756
0.252 Kg/m



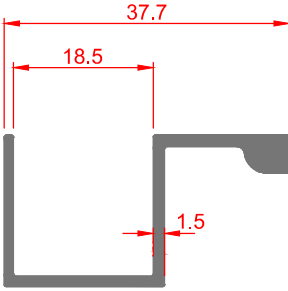
2849
0.346 Kg/m



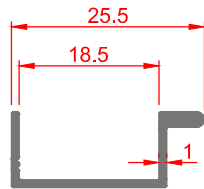
1936
0.240 Kg/m



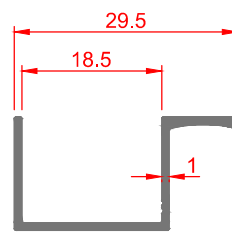
2810
0.410 Kg/m



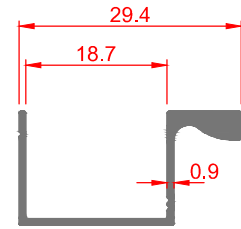
2972
0.334 Kg/m



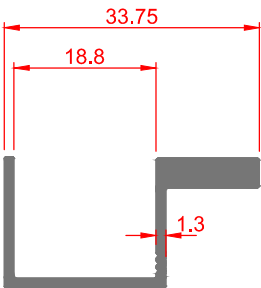
5222
0.129 Kg/m



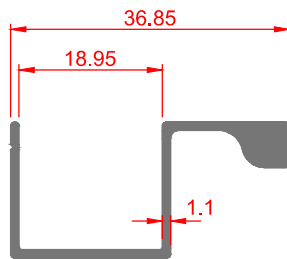
4583
0.159 Kg/m



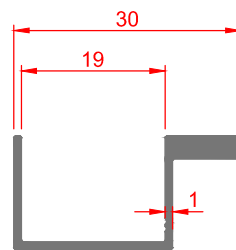
3921
0.190 Kg/m



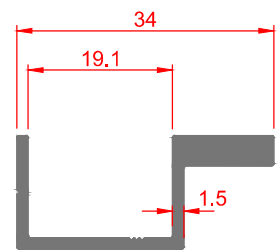
3347
0.316 Kg/m



1013
0.292 Kg/m

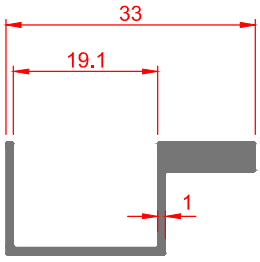


2348
0.205 Kg/m

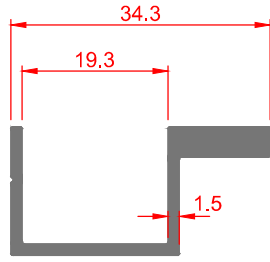


1757
0.326 Kg/m

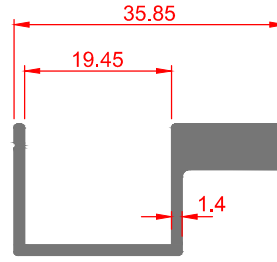
MOBİLYA ve DEKORASYON PROFİLLERİ



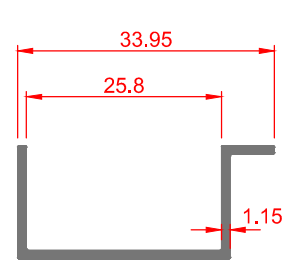
1085
0.261 Kg/m



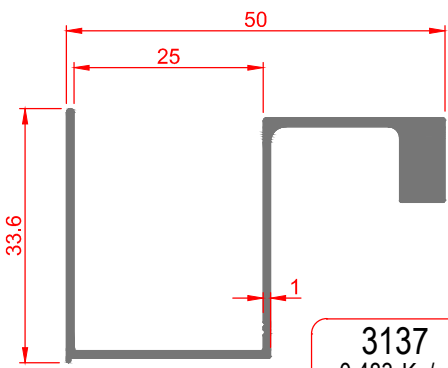
1038
0.345 Kg/m



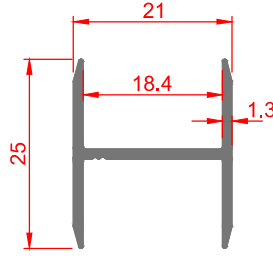
1758
0.424 Kg/m



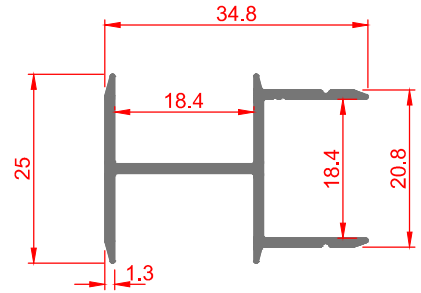
2066
0.191 Kg/m



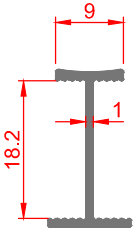
3137
0.483 Kg/m



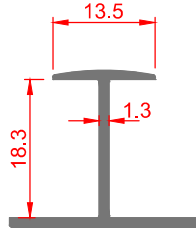
1897
0.228 Kg/m



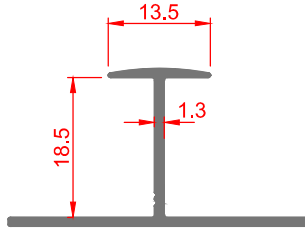
2444
0.312 Kg/m



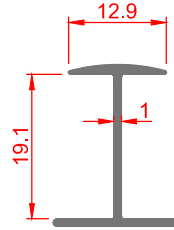
1767
0.110 Kg/m



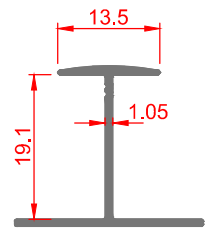
1092
0.181 Kg/m



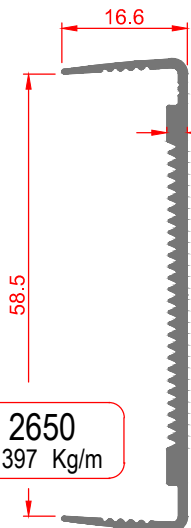
2822
0.230 Kg/m



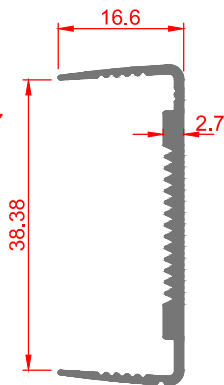
1091
0.132 Kg/m



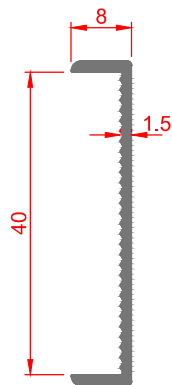
5043
0.154 Kg/m



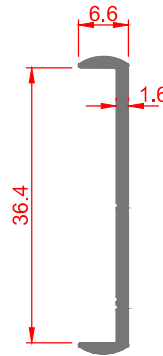
2650
0.397 Kg/m



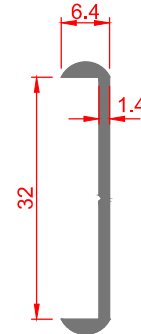
2649
0.289 Kg/m



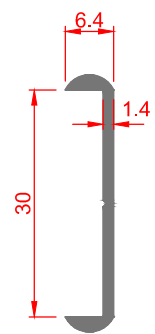
2202
0.201 Kg/m



2782
0.198 Kg/m

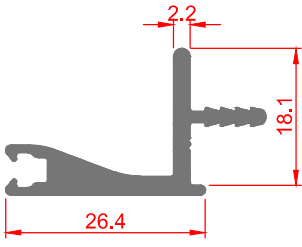


1729
0.170 Kg/m

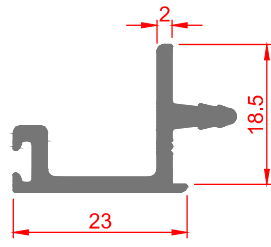


3677
0.163 Kg/m

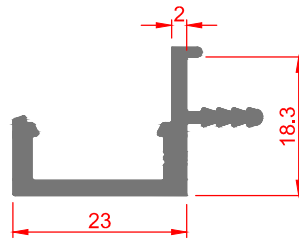
MOBİLYA ve DEKORASYON PROFİLLERİ



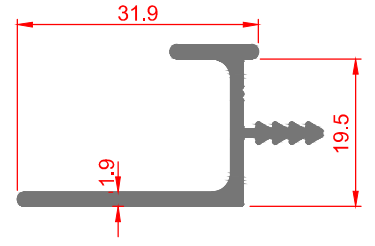
2641
0.381 Kg/m



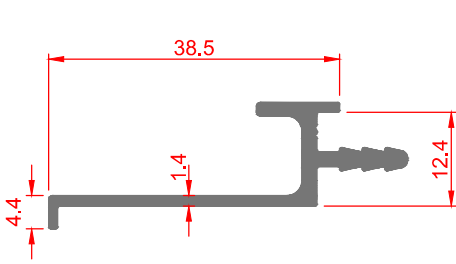
2351
0.324 Kg/m



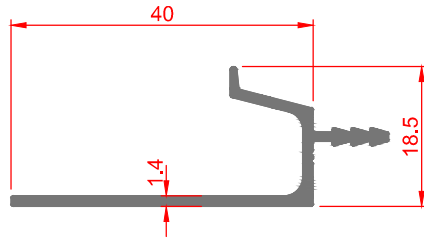
2846
0.360 Kg/m



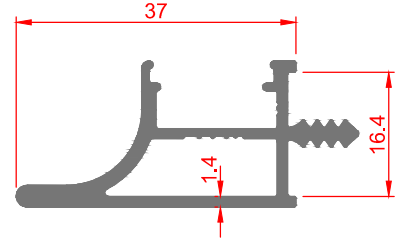
2674
0.352 Kg/m



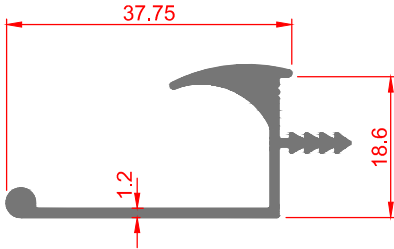
4281
0.331 Kg/m



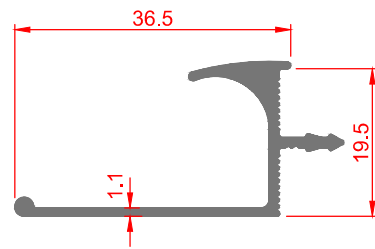
4964
0.289 Kg/m



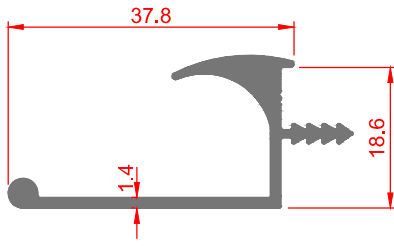
4308
0.472 Kg/m



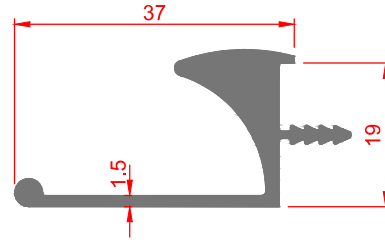
4726
0.359 Kg/m



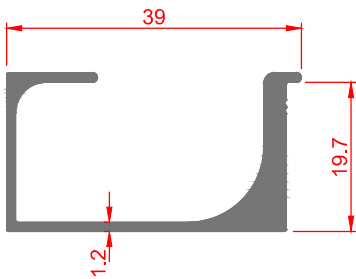
5411
0.289 Kg/m



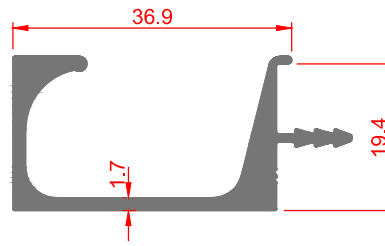
2842
0.385 Kg/m



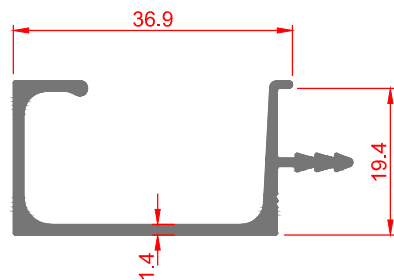
1037
0.521 Kg/m



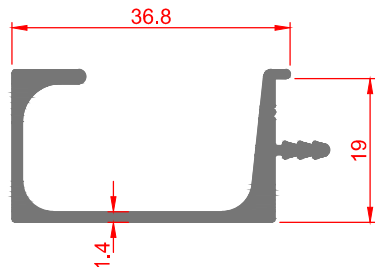
4819
0.453 Kg/m



2200
0.537 Kg/m

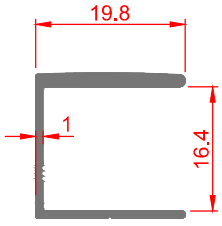


4720
0.376 Kg/m

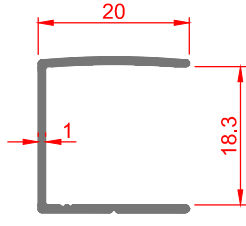


4752
0.437 Kg/m

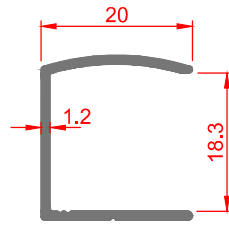
MOBİLYA ve DEKORASYON PROFİLLERİ



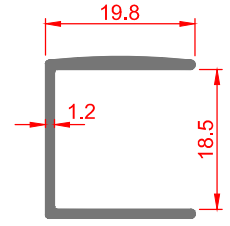
1744
0.190 Kg/m



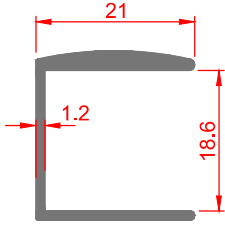
5205
0.155 Kg/m



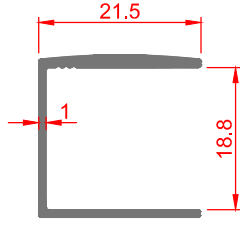
1896
0.187 Kg/m



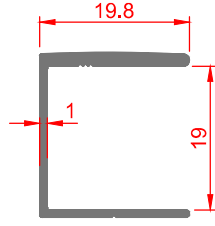
2162
0.204 Kg/m



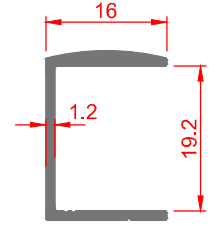
1087
0.252 Kg/m



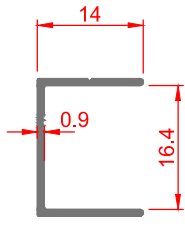
3346
0.195 Kg/m



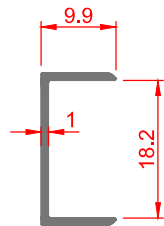
1746
0.197 Kg/m



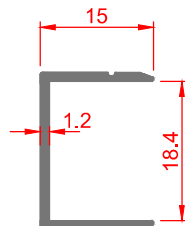
1401
0.185 Kg/m



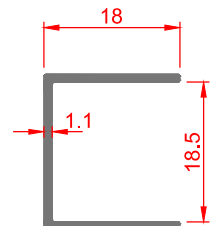
1538
0.106 Kg/m



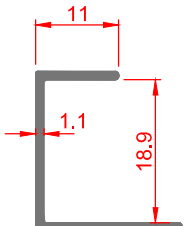
1541
0.101 Kg/m



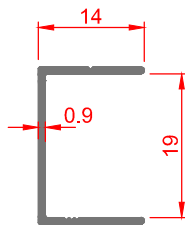
2155
0.151 Kg/m



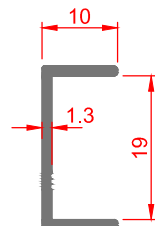
2440
0.152 Kg/m



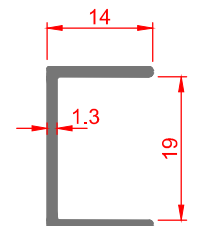
1761
0.146 Kg/m



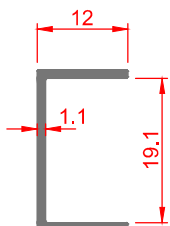
1542
0.113 Kg/m



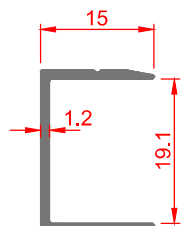
1543
0.135 Kg/m



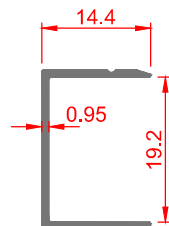
1544
0.164 Kg/m



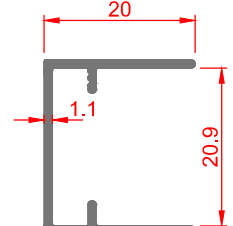
1765
0.128 Kg/m



1766
0.152 Kg/m

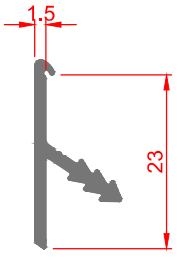


1346
0.119 Kg/m

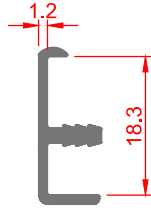


2093
0.199 Kg/m

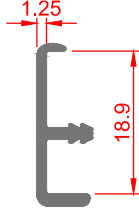
MOBİLYA ve DEKORASYON PROFİLLERİ



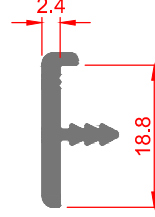
3917
0.164 Kg/m



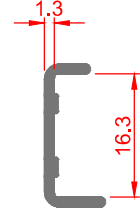
1375
0.140 Kg/m



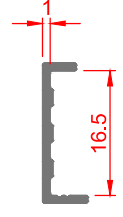
1751
0.129 Kg/m



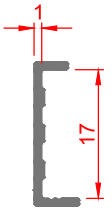
2529
0.178 Kg/m



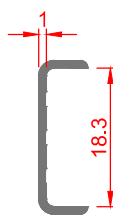
1752
0.108 Kg/m



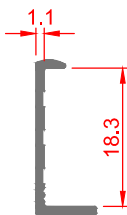
2480
0.080 Kg/m



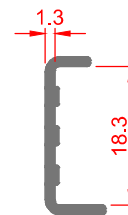
2481
0.081 Kg/m



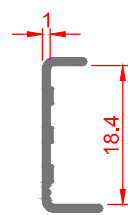
1140
0.078 Kg/m



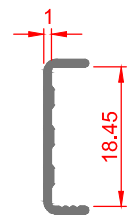
2345
0.084 Kg/m



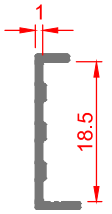
1753
0.119 Kg/m



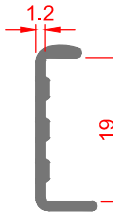
2237
0.090 Kg/m



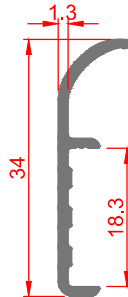
1754
0.083 Kg/m



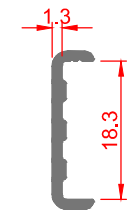
2482
0.085 Kg/m



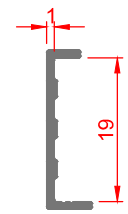
1755
0.117 Kg/m



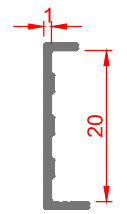
2808
0.175 Kg/m



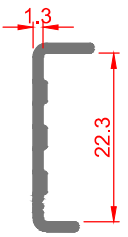
2809
0.107 Kg/m



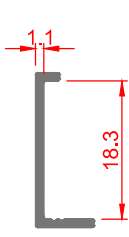
2483
0.087 Kg/m



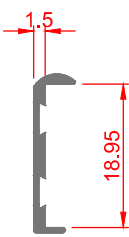
2484
0.090 Kg/m



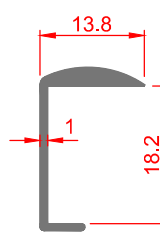
2781
0.135 Kg/m



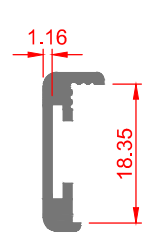
2932
0.087 Kg/m



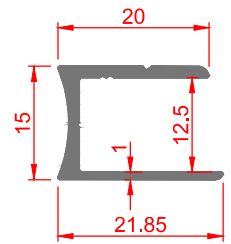
4452
0.081 Kg/m



1745
0.130 Kg/m

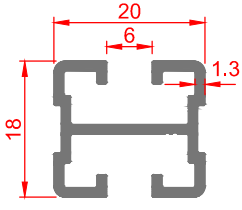


1750
0.152 Kg/m

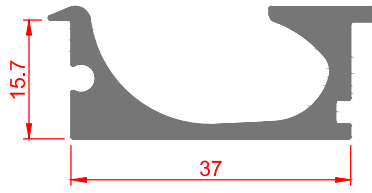


2203
0.196 Kg/m

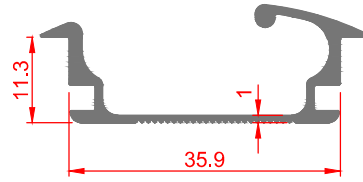
MOBİLYA ve DEKORASYON PROFİLLERİ



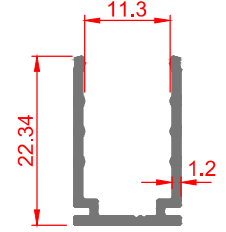
5186
0.288 Kg/m



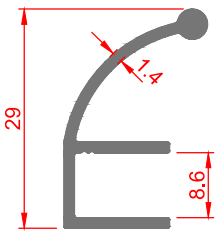
1748
0.661 Kg/m



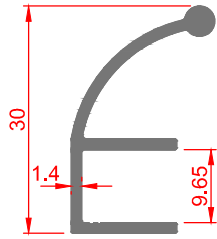
1686
0.284 Kg/m



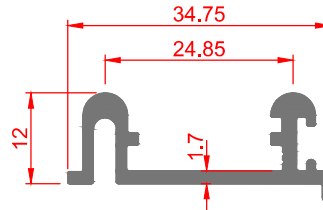
3695
0.195 Kg/m



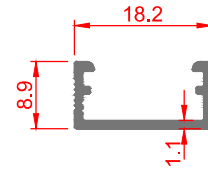
2666
0.256 Kg/m



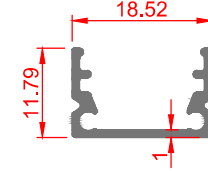
3139
0.260 Kg/m



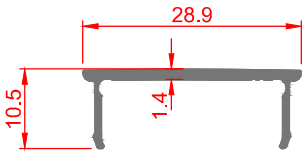
1911
0.348 Kg/m



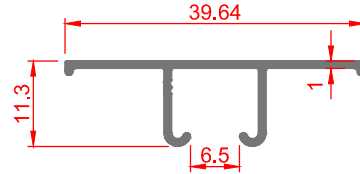
2149
0.112 Kg/m



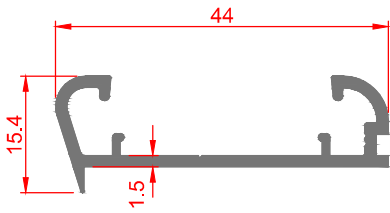
2206
0.139 Kg/m



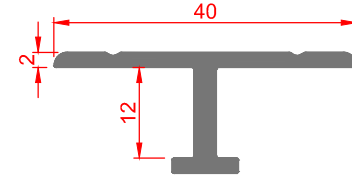
2639
0.147 Kg/m



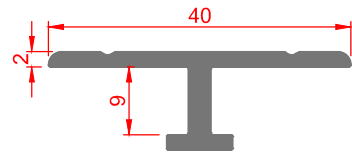
3802
0.179 Kg/m



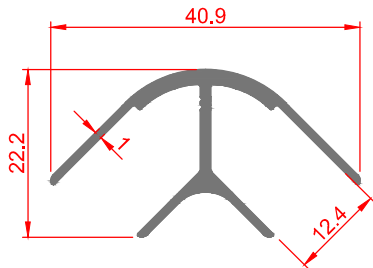
2640
0.332 Kg/m



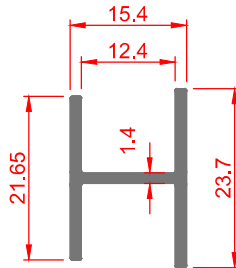
2378
0.355 Kg/m



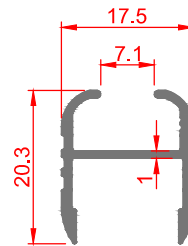
2163
0.330 Kg/m



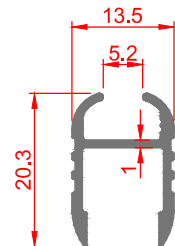
2642
0.313 Kg/m



1817
0.230 Kg/m

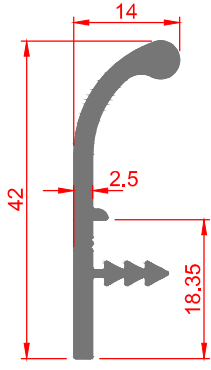


2020
0.195 Kg/m

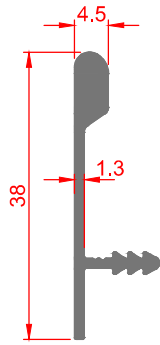


2021
0.176 Kg/m

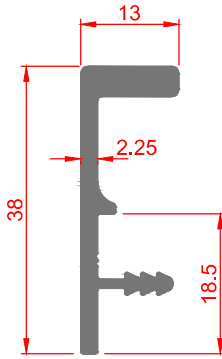
MOBİLYA ve DEKORASYON PROFİLLERİ



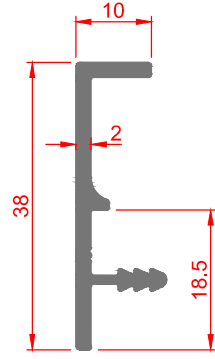
2528
0.402 Kg/m



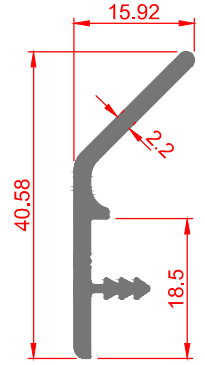
3016
0.253 Kg/m



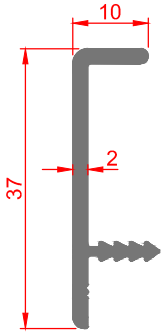
4304
0.409 Kg/m



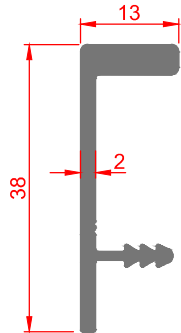
4305
0.312 Kg/m



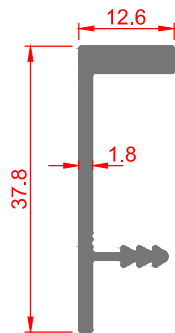
4306
0.322 Kg/m



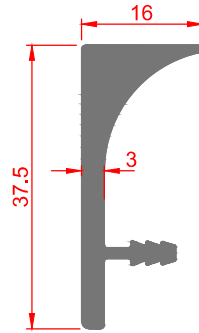
3592
0.282 Kg/m



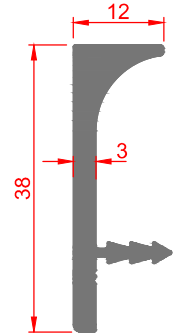
4947
0.372 Kg/m



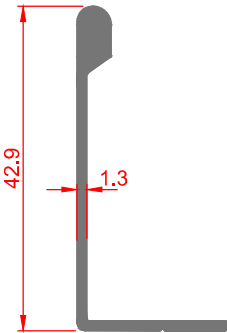
4751
0.332 Kg/m



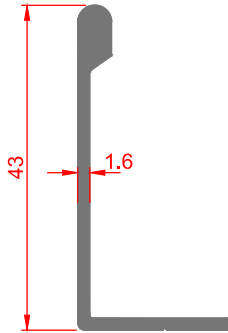
3334
0.530 Kg/m



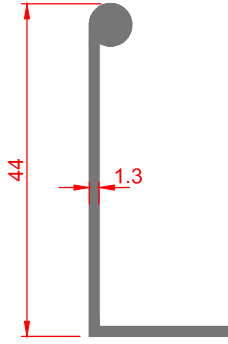
2381
0.449 Kg/m



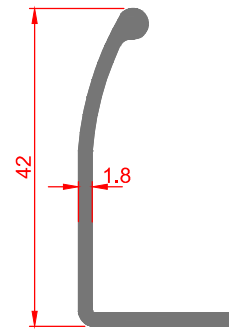
2216
0.276 Kg/m



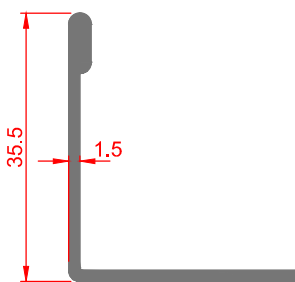
5218
0.319 Kg/m



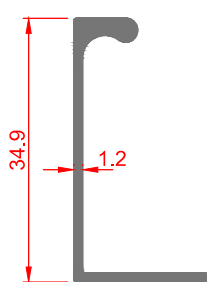
5087
0.268 Kg/m



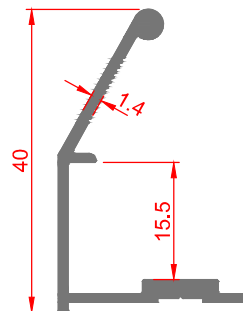
2158
0.316 Kg/m



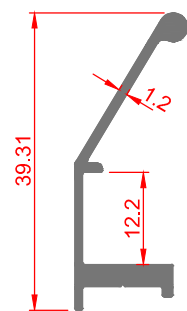
1771
0.286 Kg/m



3728
0.221 Kg/m

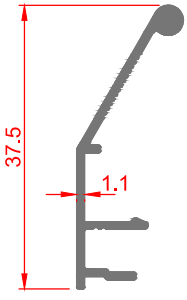


1284
0.304 Kg/m

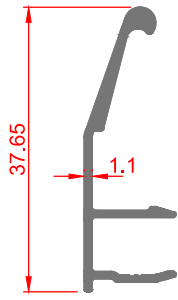


1373
0.258 Kg/m

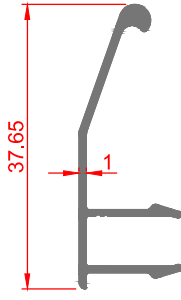
MOBİLYA ve DEKORASYON PROFİLLERİ



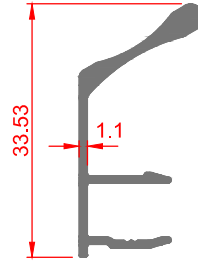
4527
0.191 Kg/m



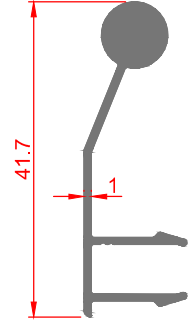
5148
0.217 Kg/m



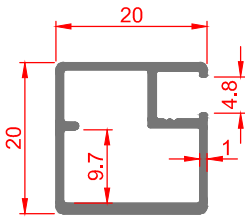
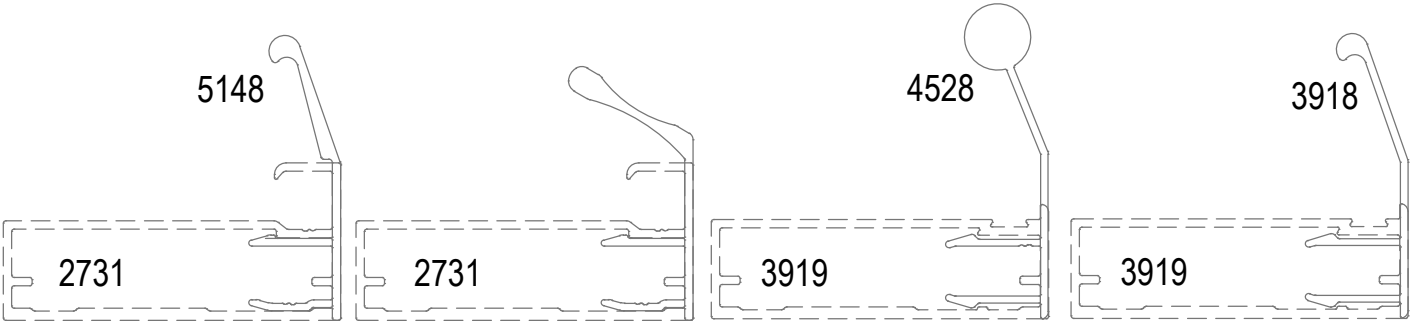
3918
0.193 Kg/m



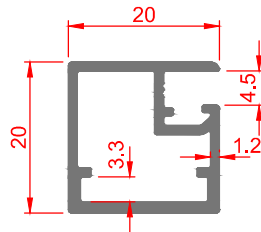
5412
0.237 Kg/m



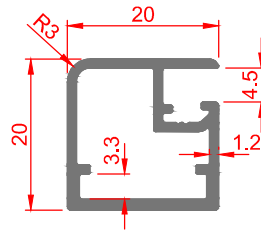
4528
0.323 Kg/m



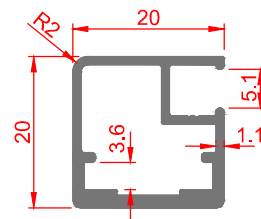
2970
0.256 Kg/m



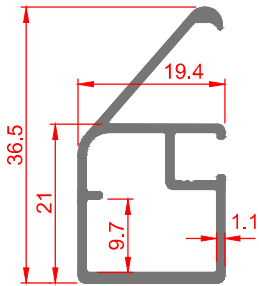
2188
0.315 Kg/m



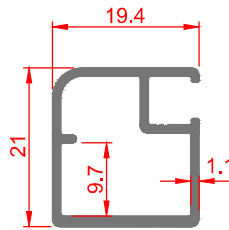
2189
0.312 Kg/m



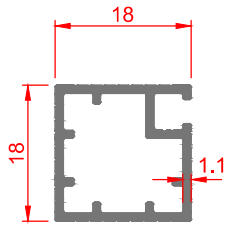
2423
0.314 Kg/m



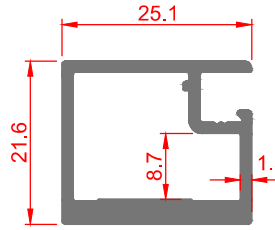
4800
0.340 Kg/m



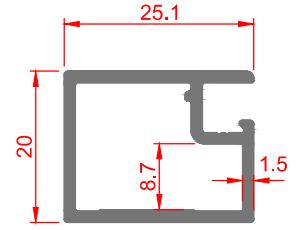
3628
0.264 Kg/m



4391
0.239 Kg/m

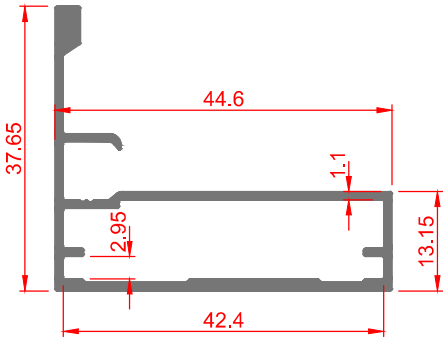


5154
0.490 Kg/m

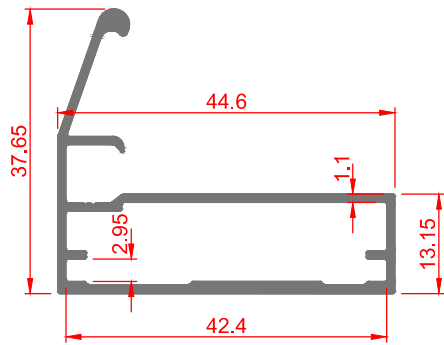


5109
0.382 Kg/m

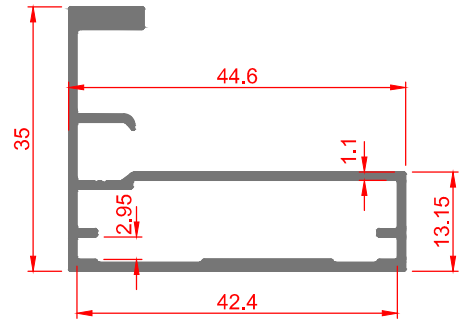
MOBİLYA ve DEKORASYON PROFİLLERİ



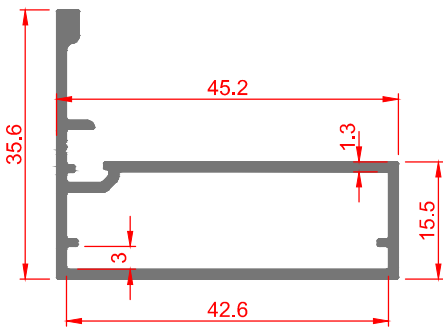
2897
0.516 Kg/m



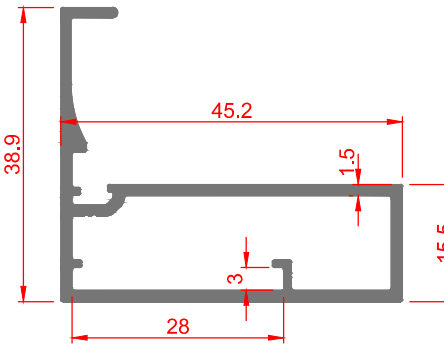
2933
0.505 Kg/m



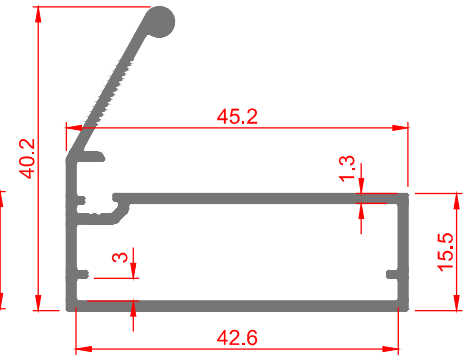
4948
0.545 Kg/m



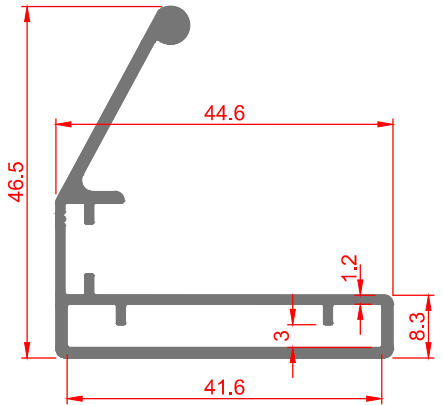
2220
0.529 Kg/m



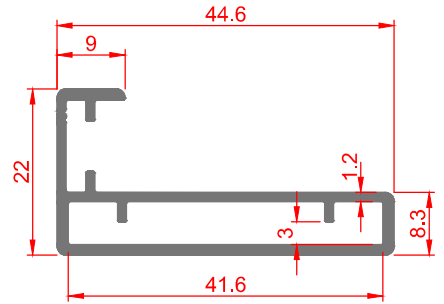
3132
0.627 Kg/m



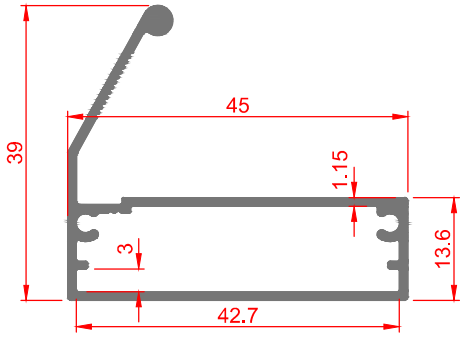
3638
0.555 Kg/m



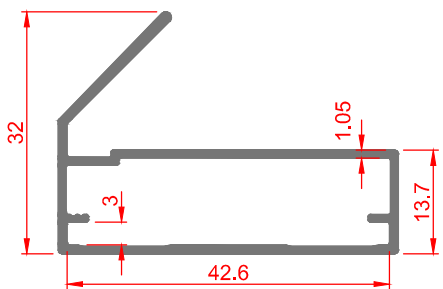
2577
0.618 Kg/m



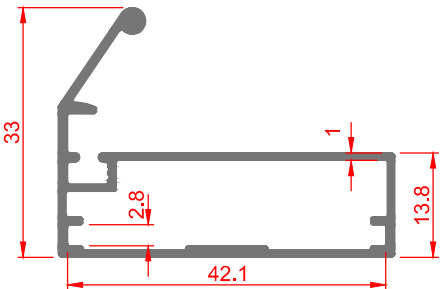
2578
0.466 Kg/m



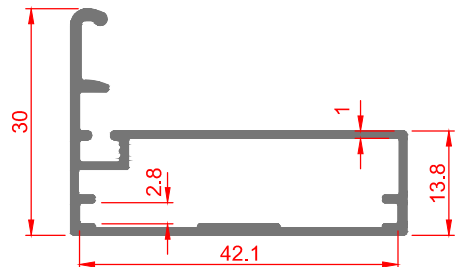
5174
0.504 Kg/m



3780
0.431 Kg/m

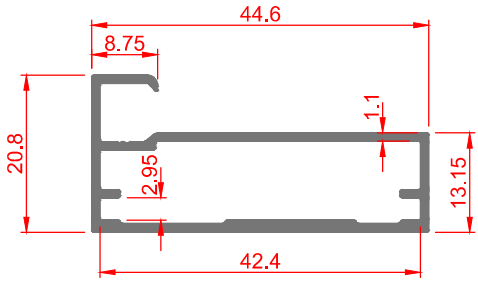


4185
0.461 Kg/m

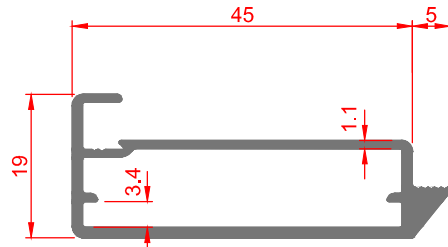


3853
0.445 Kg/m

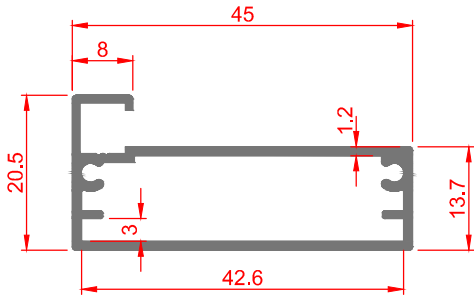
MOBİLYA ve DEKORASYON PROFİLLERİ



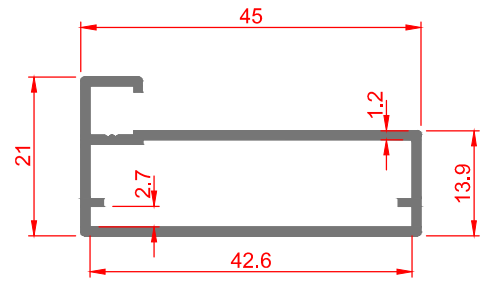
2731
0.430 Kg/m



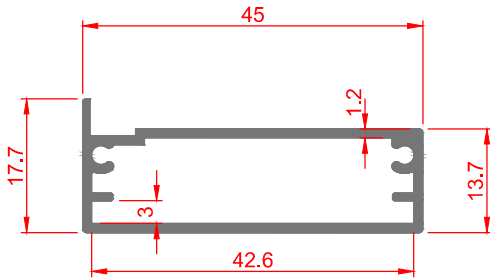
5383
0.476 Kg/m



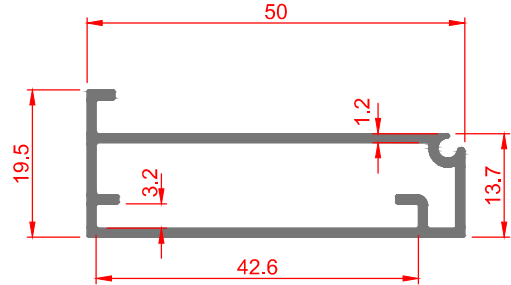
2198
0.453 Kg/m



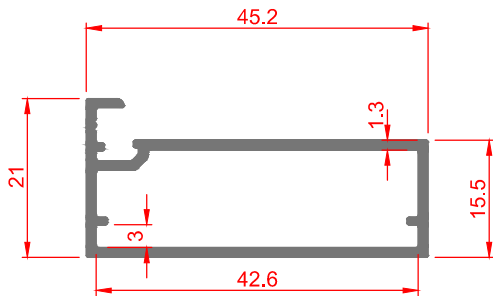
2221
0.425 Kg/m



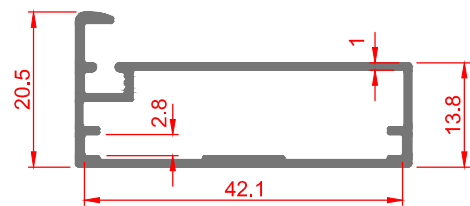
2222
0.424 Kg/m



1374
0.461 Kg/m

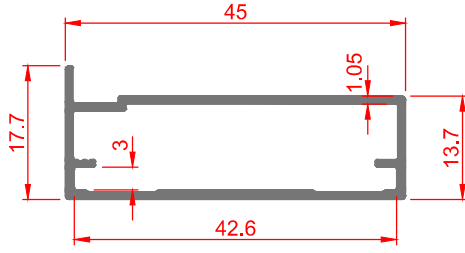


2199
0.458 Kg/m

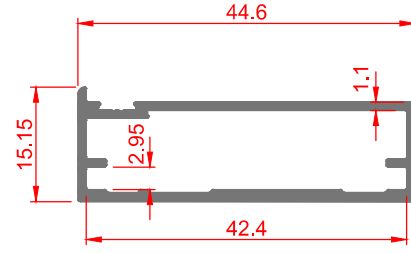


3852
0.396 Kg/m

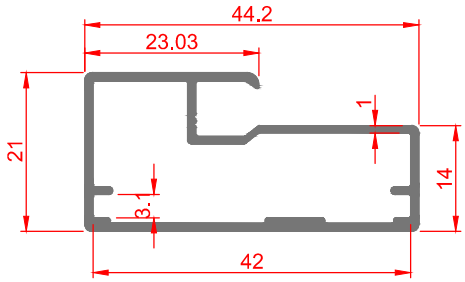
MOBİLYA ve DEKORASYON PROFİLLERİ



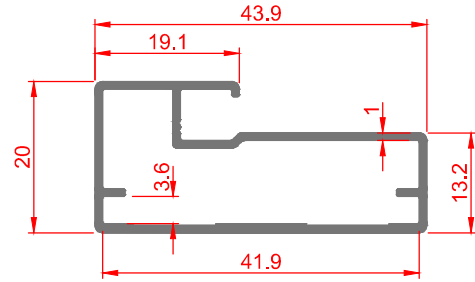
3779
0.366 Kg/m



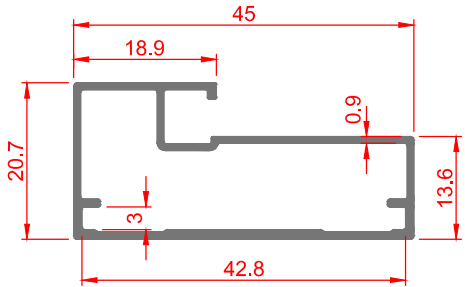
3919
0.398 Kg/m



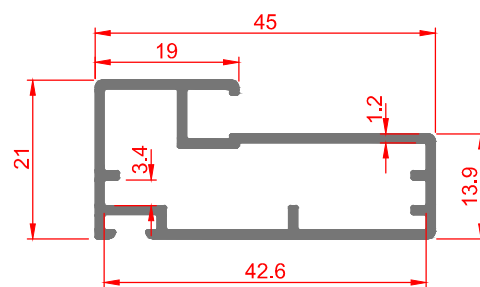
2732
0.430 Kg/m



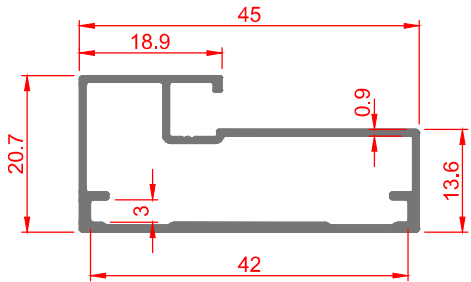
2738
0.385 Kg/m



1348
0.383 Kg/m

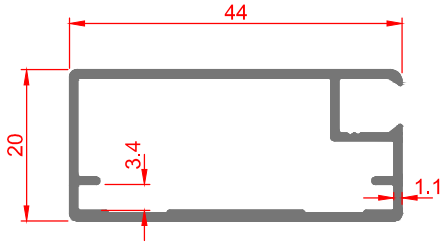


2752
0.487 Kg/m

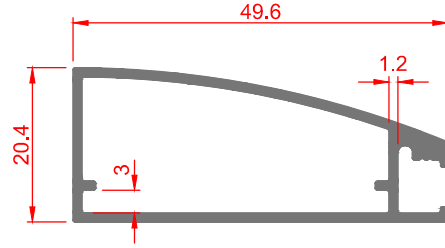


2904
0.392 Kg/m

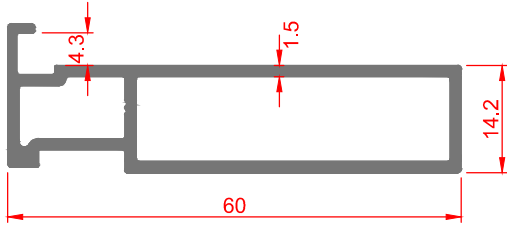
MOBİLYA ve DEKORASYON PROFİLLERİ



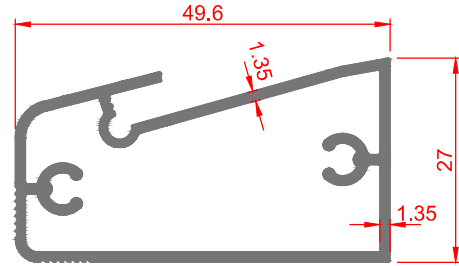
3375
0.423 Kg/m



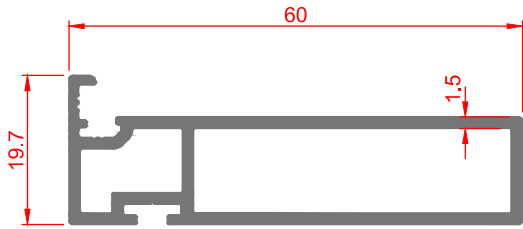
3446
0.468 Kg/m



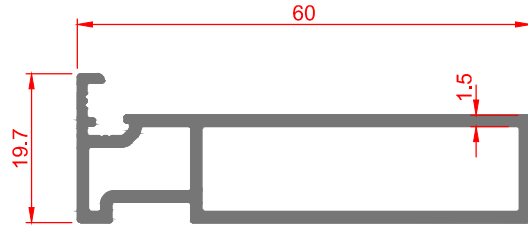
4220
0.659 Kg/m



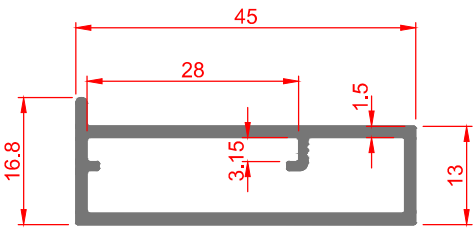
2382
0.675 Kg/m



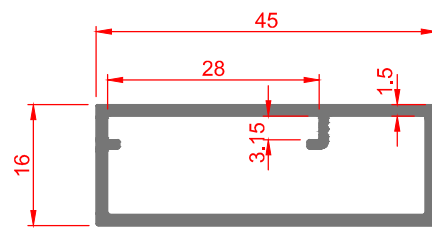
1395
0.681 Kg/m



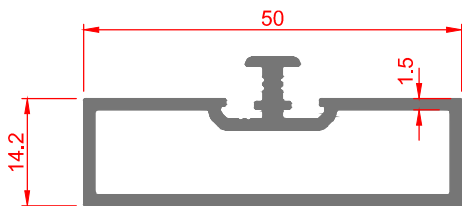
1396
0.667 Kg/m



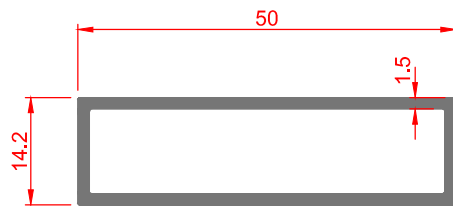
2071
0.484 Kg/m



2072
0.493 Kg/m

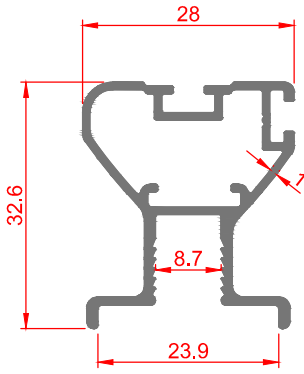


1397
0.589 Kg/m

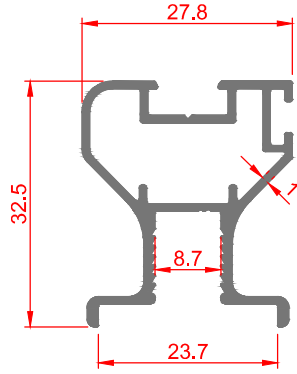


1398
0.496 Kg/m

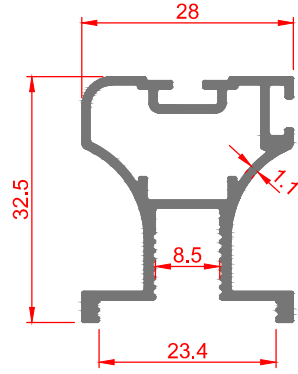
MOBİLYA ve DEKORASYON PROFİLLERİ



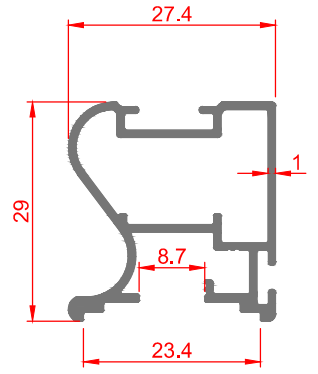
2185
0.426 Kg/m



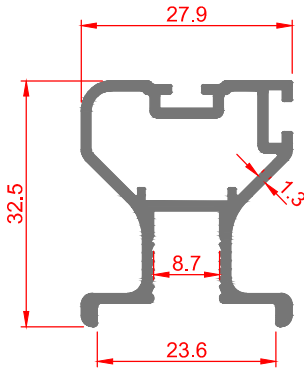
2729
0.431 Kg/m



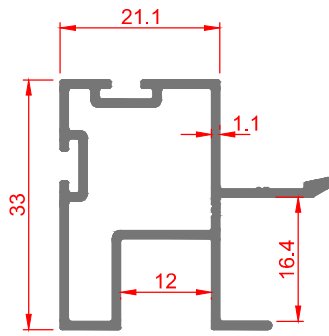
1770
0.473 Kg/m



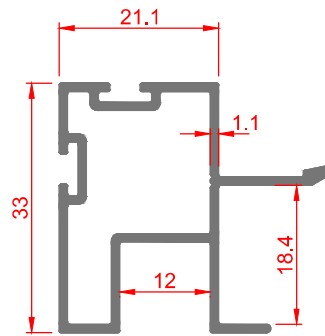
4801
0.397 Kg/m



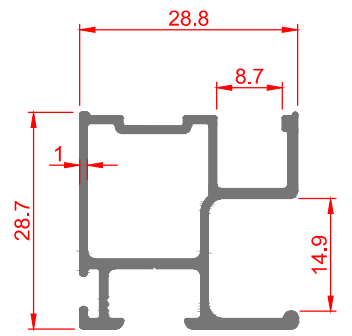
1161
0.518 Kg/m



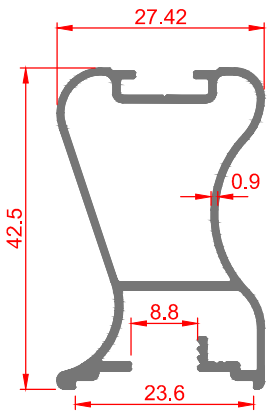
1999
0.461 Kg/m



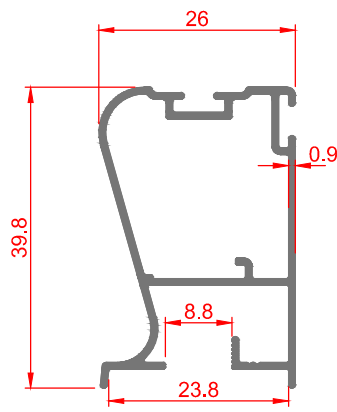
1327
0.461 Kg/m



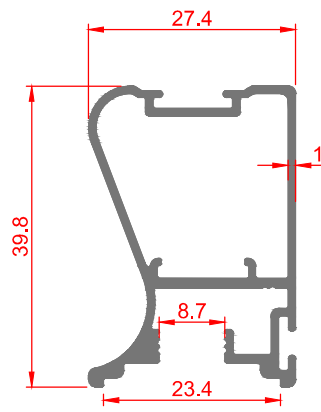
2874
0.418 Kg/m



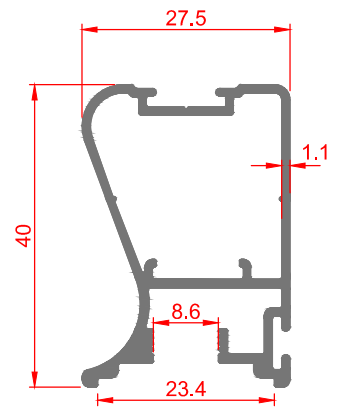
3089
0.430 Kg/m



2212
0.384 Kg/m

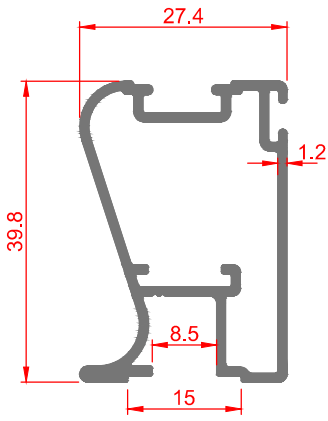


2737
0.486 Kg/m

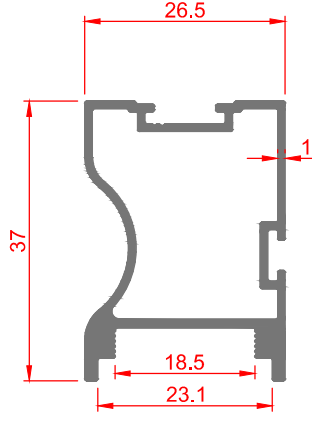


1014
0.515 Kg/m

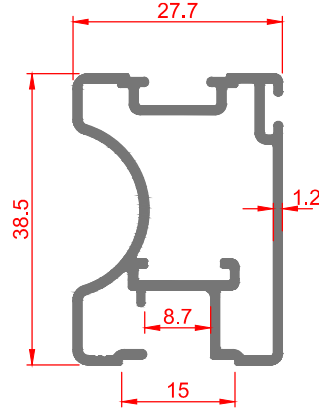
MOBİLYA ve DEKORASYON PROFİLLERİ



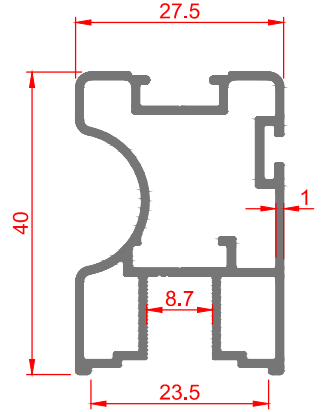
2934
0.549 Kg/m



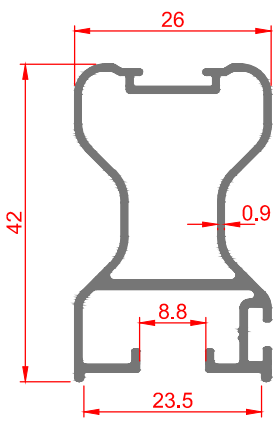
4625
0.472 Kg/m



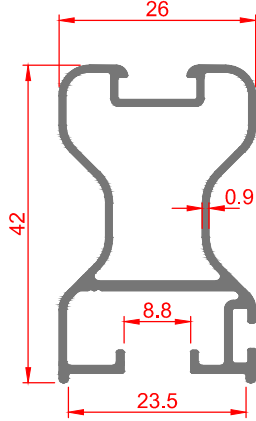
2718
0.562 Kg/m



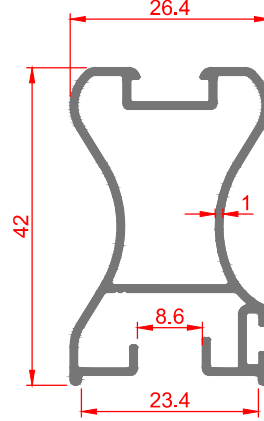
2728
0.554 Kg/m



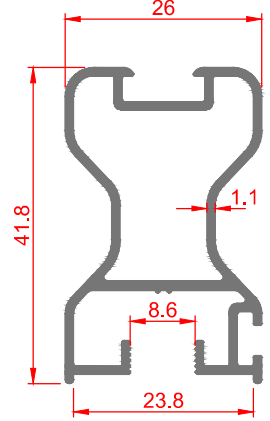
4699
0.448 Kg/m



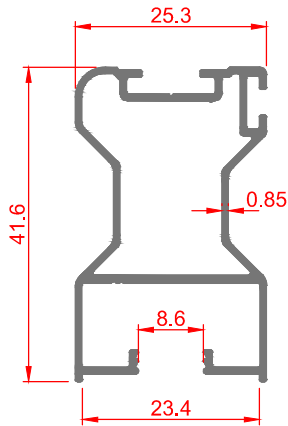
2734
0.459 Kg/m



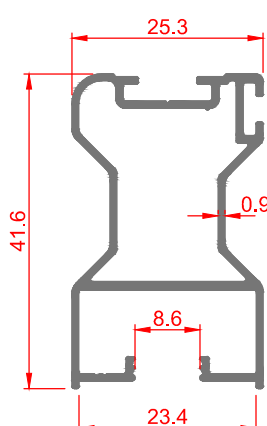
2785
0.462 Kg/m



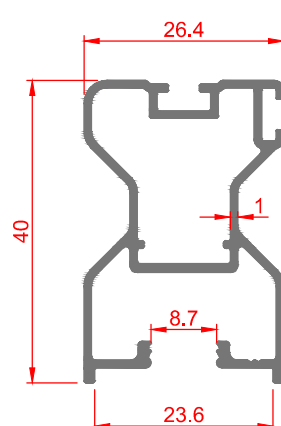
1072
0.516 Kg/m



3683
0.423 Kg/m

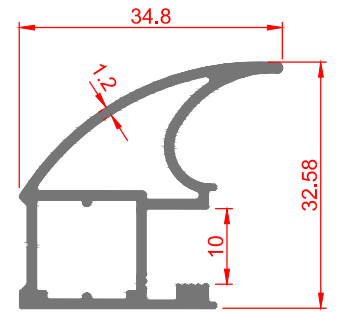
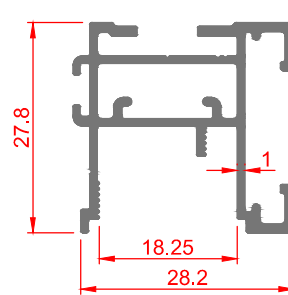
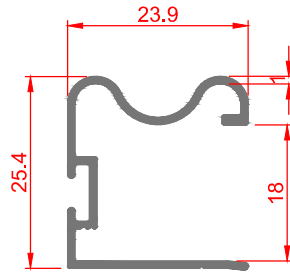
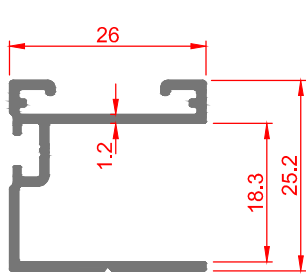
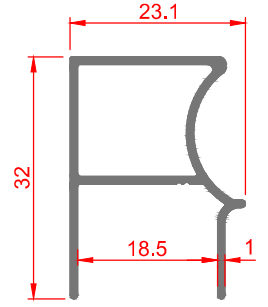
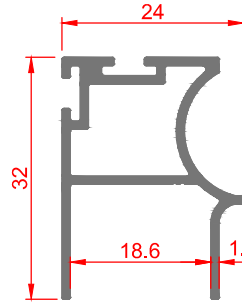
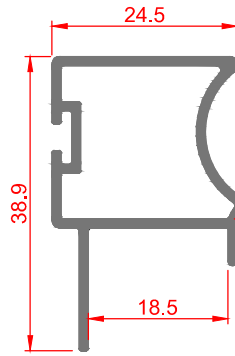
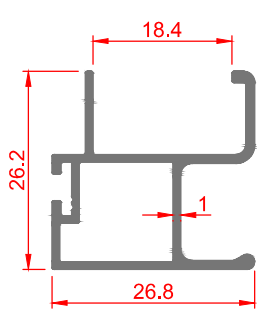
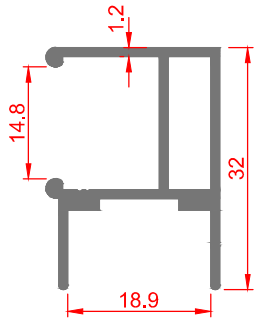
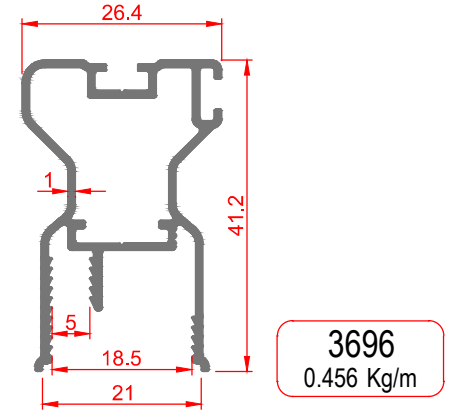
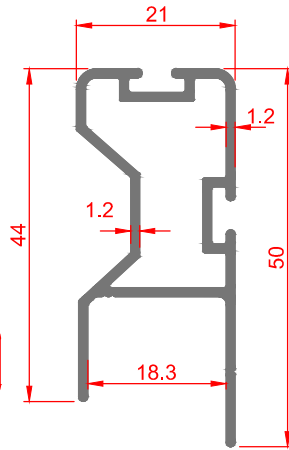
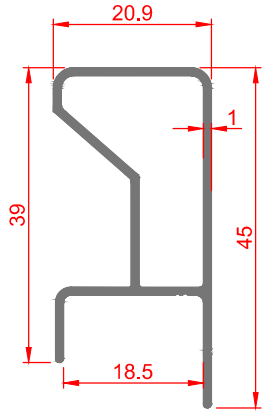
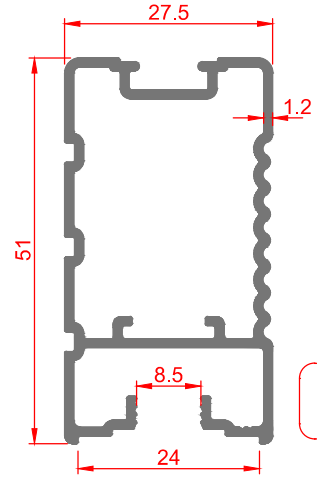
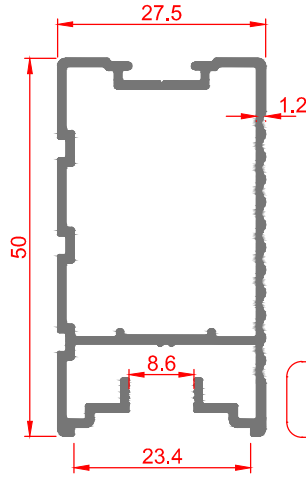
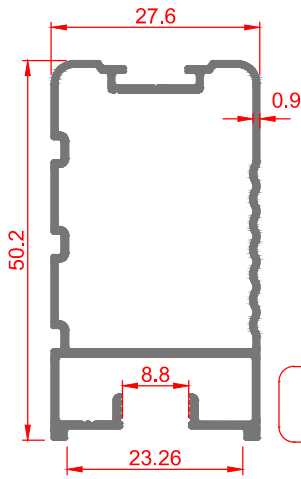


3769
0.444 Kg/m

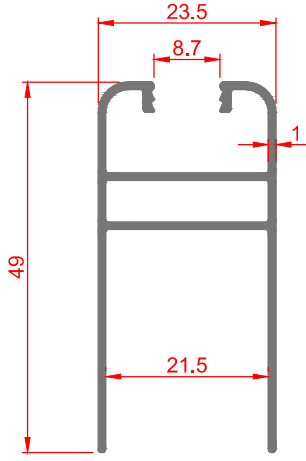


2184
0.483 Kg/m

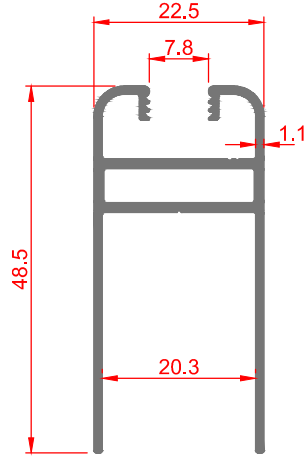
MOBİLYA ve DEKORASYON PROFİLLERİ



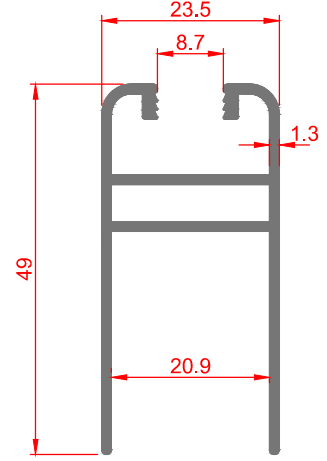
MOBİLYA ve DEKORASYON PROFİLLERİ



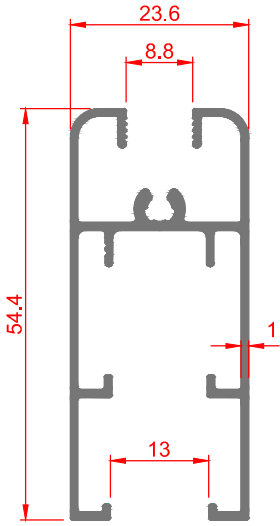
1233
0.427 Kg/m



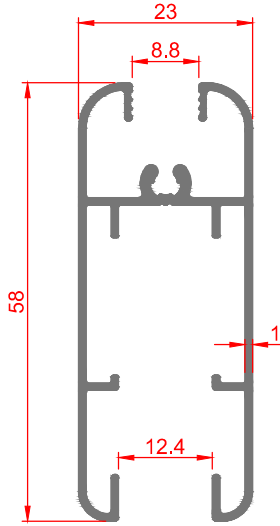
2784
0.482 Kg/m



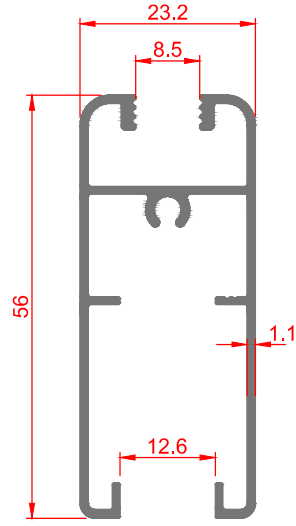
1159
0.554 Kg/m



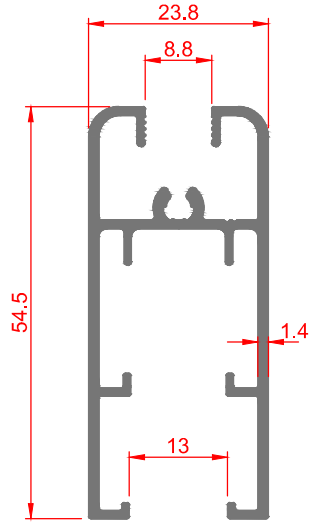
3855
0.541 Kg/m



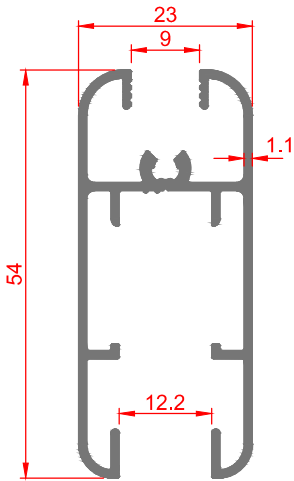
2736
0.542 Kg/m



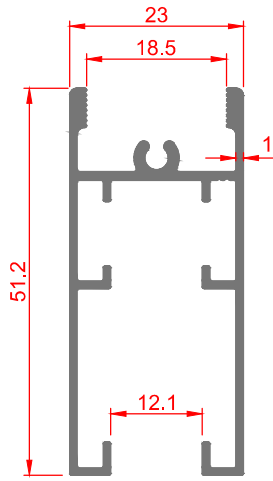
2723
0.547 Kg/m



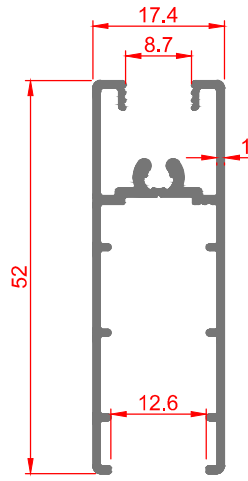
2213
0.661 Kg/m



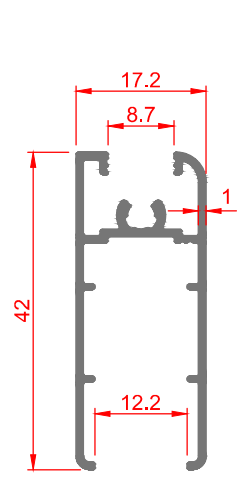
1769
0.570 Kg/m



4626
0.503 Kg/m

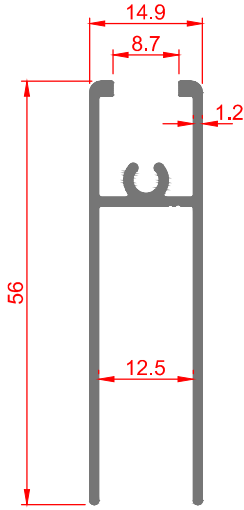


2739
0.424 Kg/m

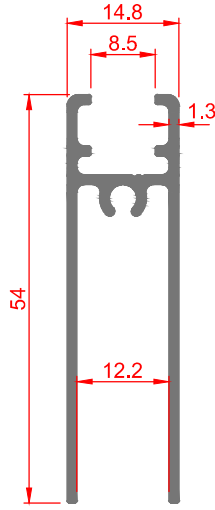


4804
0.340 Kg/m

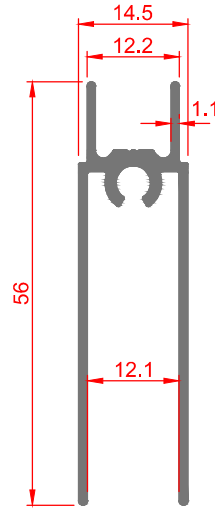
MOBİLYA ve DEKORASYON PROFİLLERİ



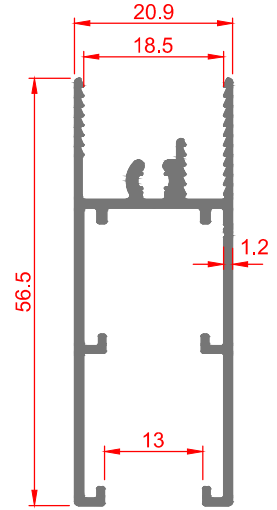
2724
0.454 Kg/m



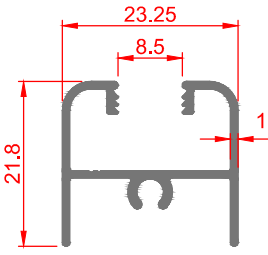
3861
0.484 Kg/m



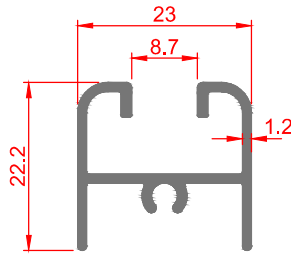
4433
0.463 Kg/m



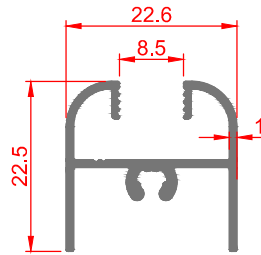
3697
0.531 Kg/m



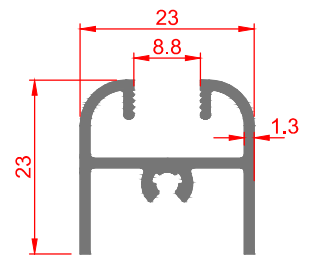
2730
0.252 Kg/m



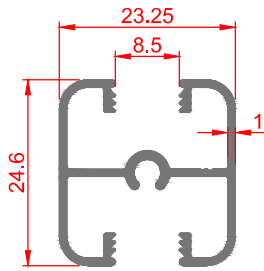
1158
0.294 Kg/m



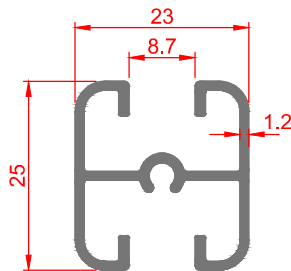
2735
0.256 Kg/m



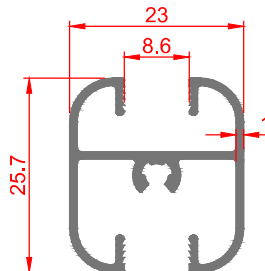
1082
0.324 Kg/m



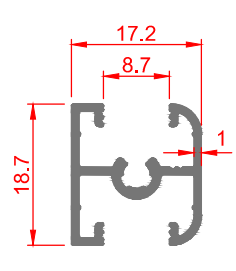
2725
0.309 Kg/m



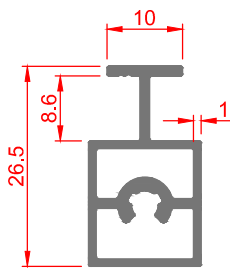
1160
0.360 Kg/m



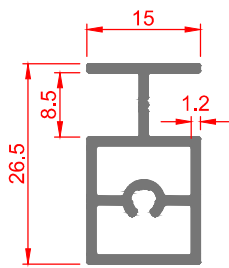
1012
0.313 Kg/m



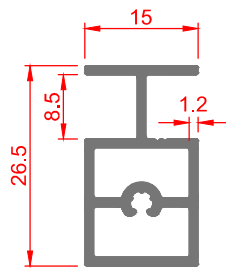
4803
0.216 Kg/m



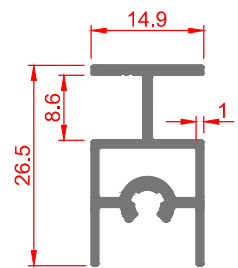
2872
0.304 Kg/m



3703
0.323 Kg/m

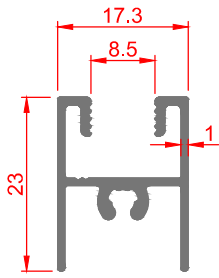


3376
0.325 Kg/m

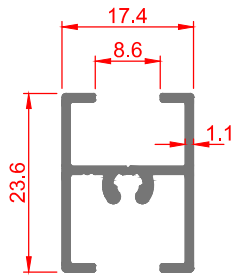


2873
0.286 Kg/m

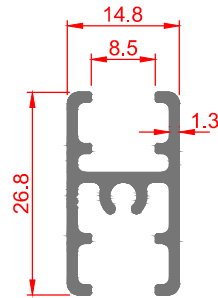
MOBİLYA ve DEKORASYON PROFİLLERİ



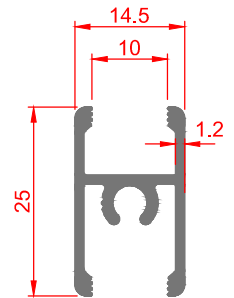
2740
0.252 Kg/m



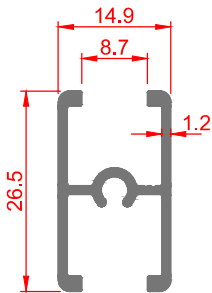
2741
0.256 Kg/m



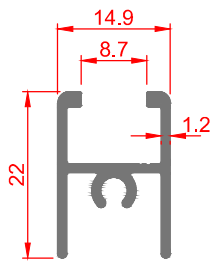
2871
0.320 Kg/m



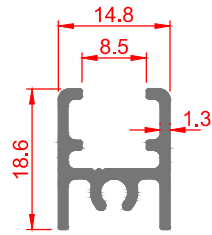
4435
0.274 Kg/m



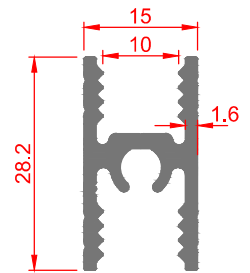
2726
0.268 Kg/m



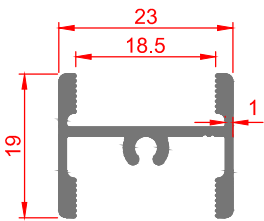
2727
0.236 Kg/m



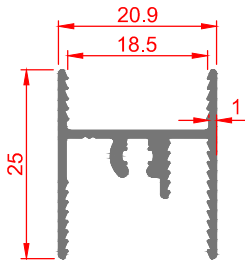
2870
0.235 Kg/m



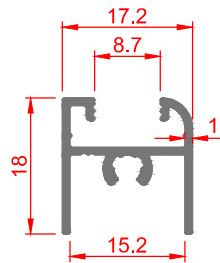
2092
0.410 Kg/m



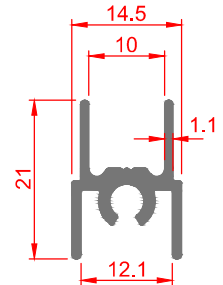
4627
0.267 Kg/m



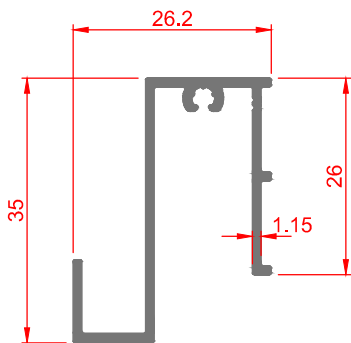
3698
0.248 Kg/m



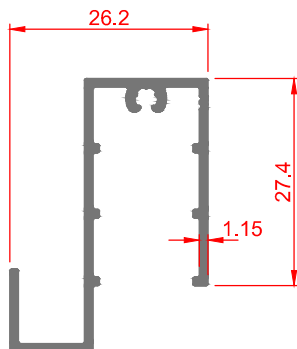
4802
0.191 Kg/m



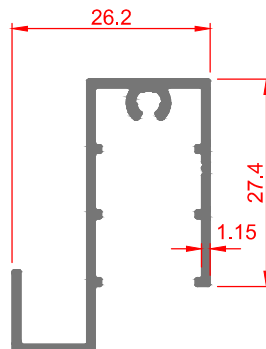
4434
0.236 Kg/m



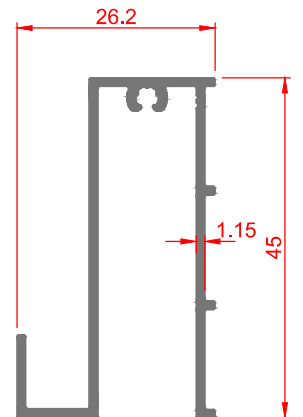
3381
0.329 Kg/m



3382
0.342 Kg/m

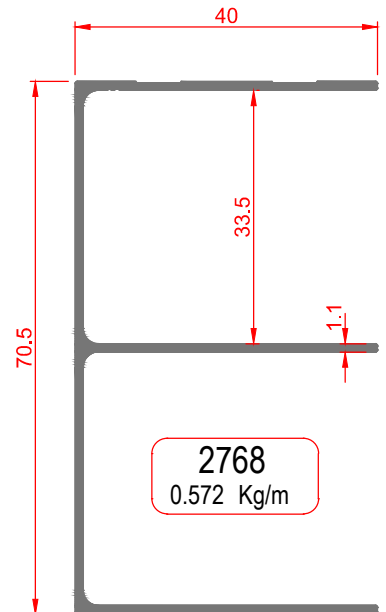
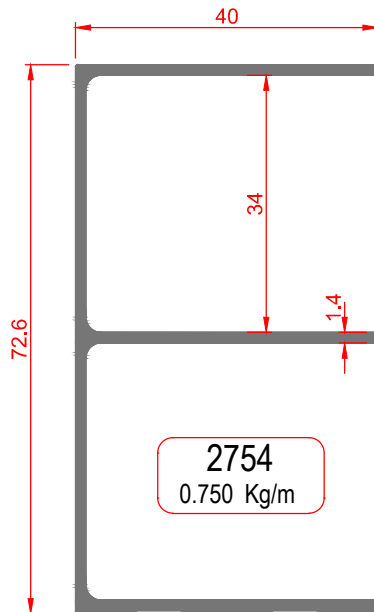
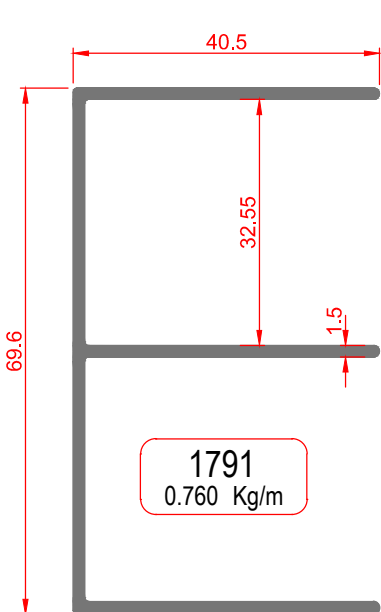
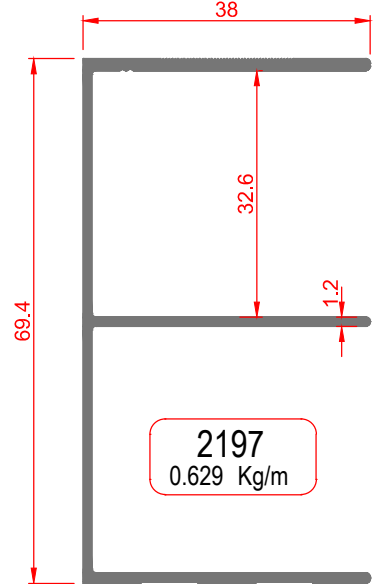
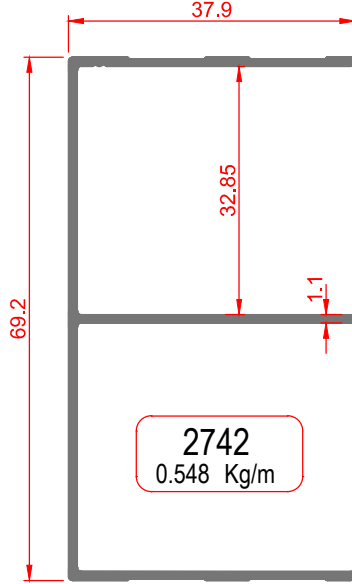
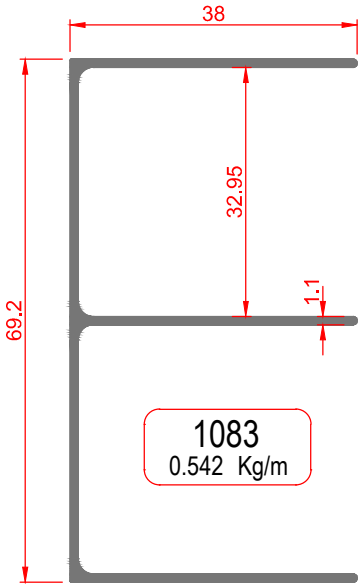
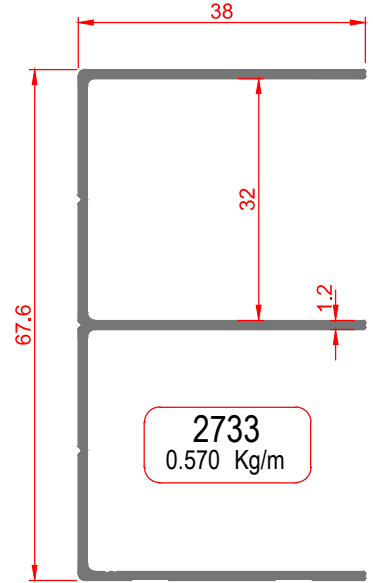
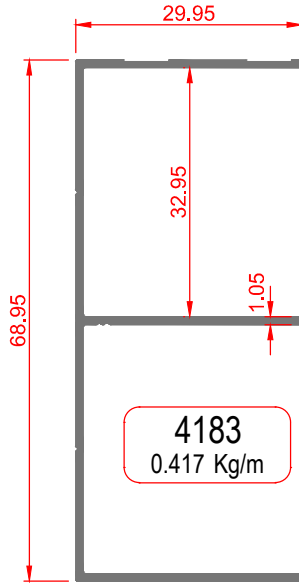
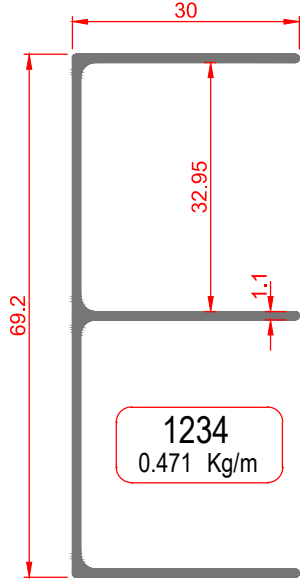


3702
0.342 Kg/m

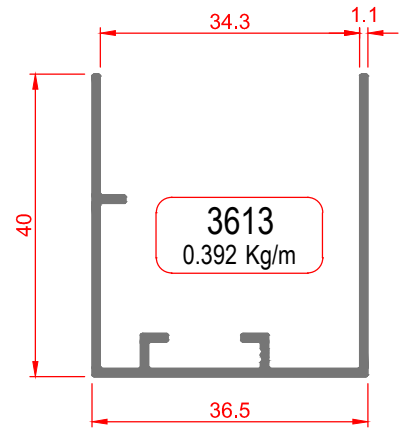
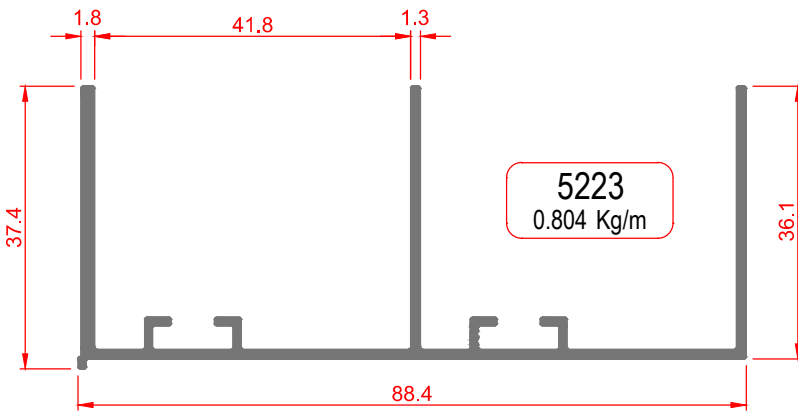
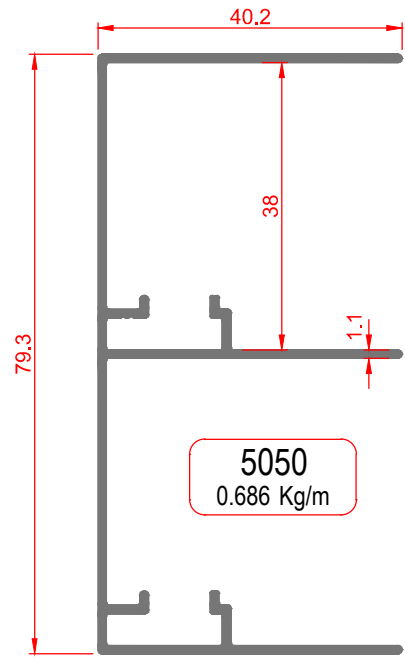
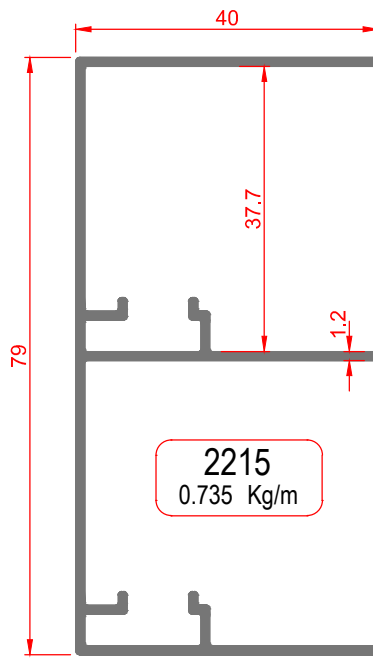
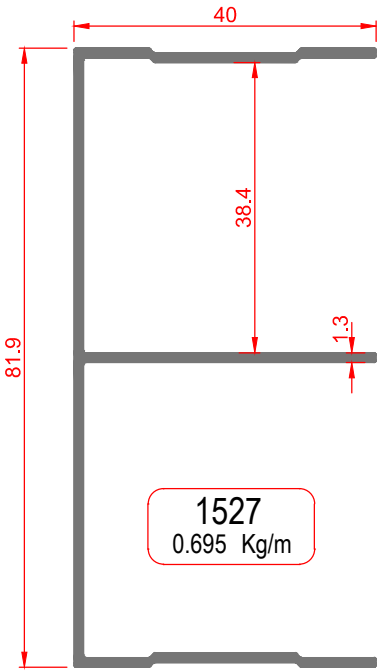
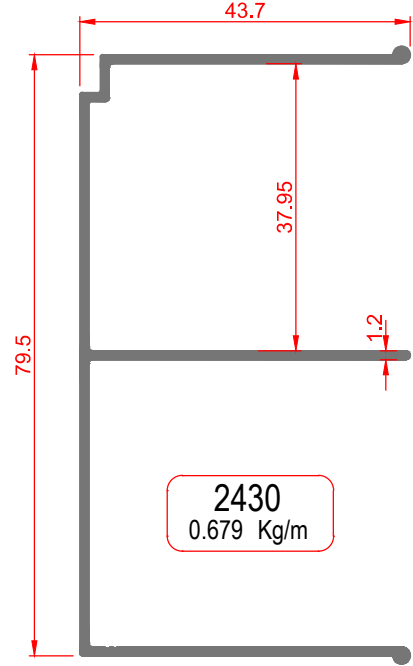
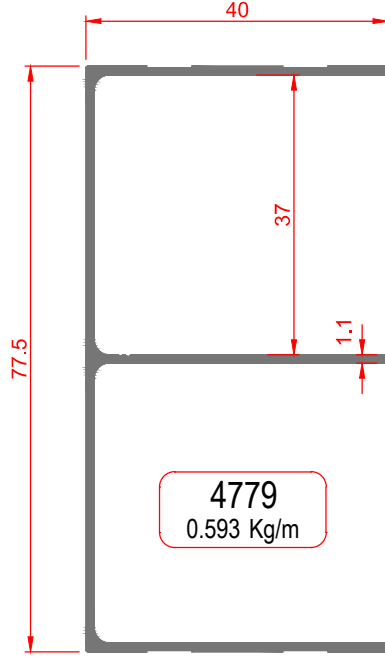
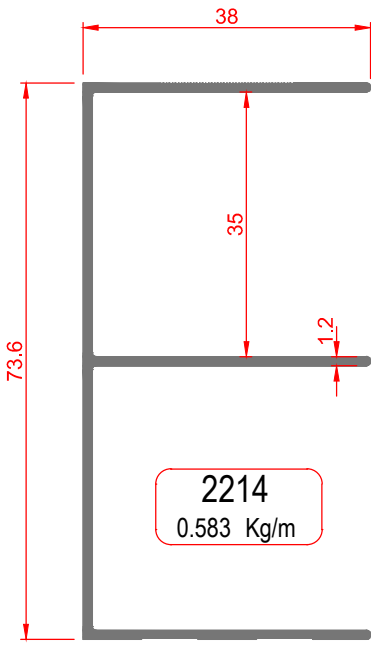


3383
0.423 Kg/m

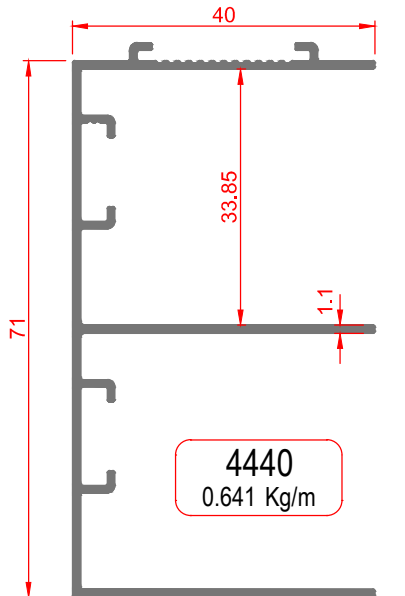
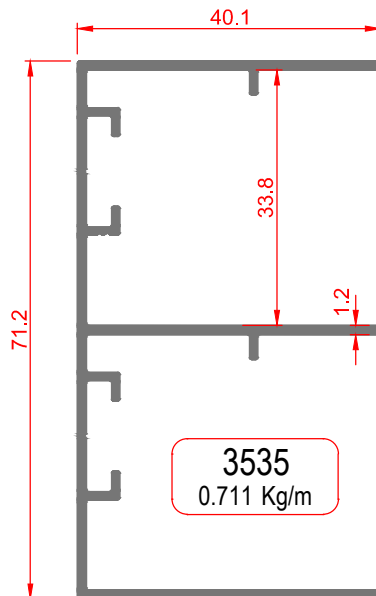
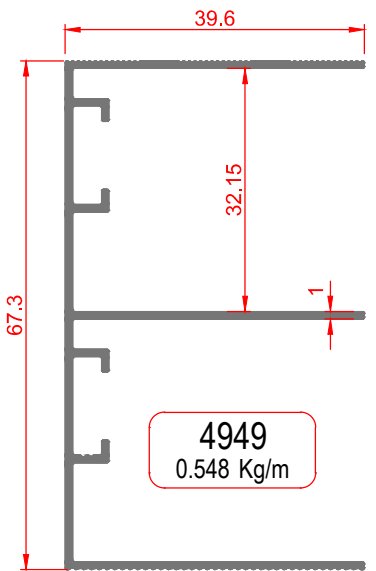
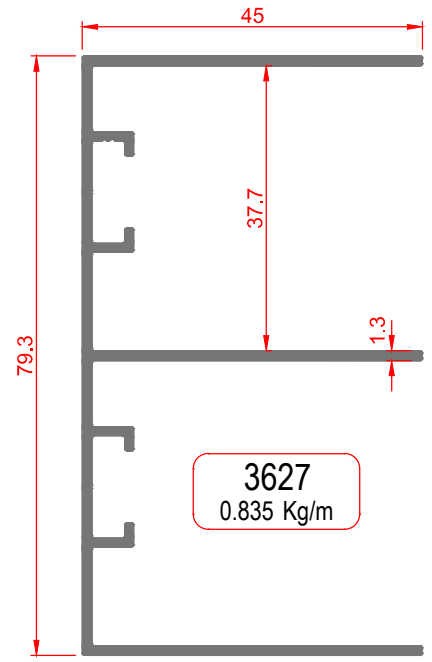
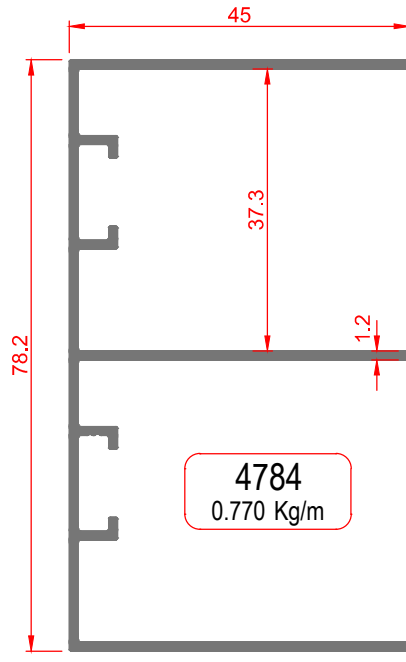
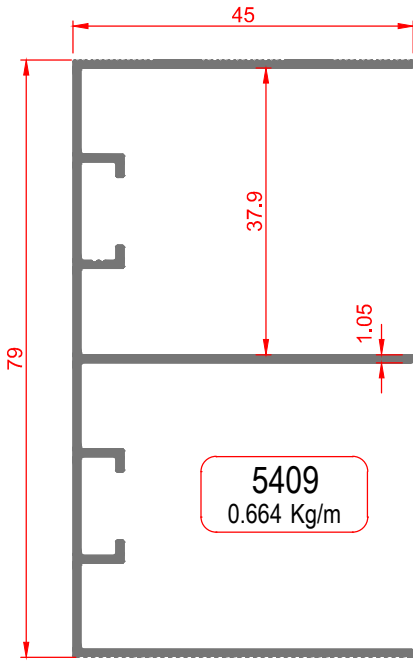
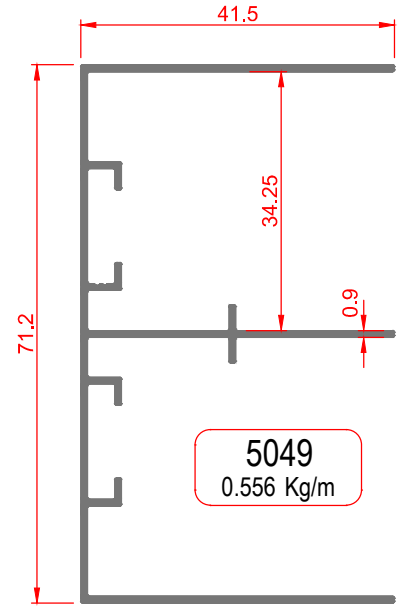
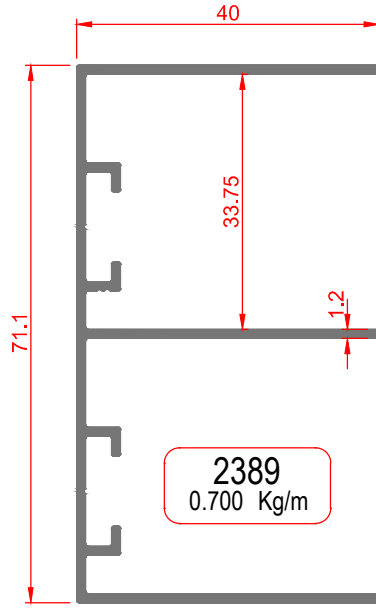
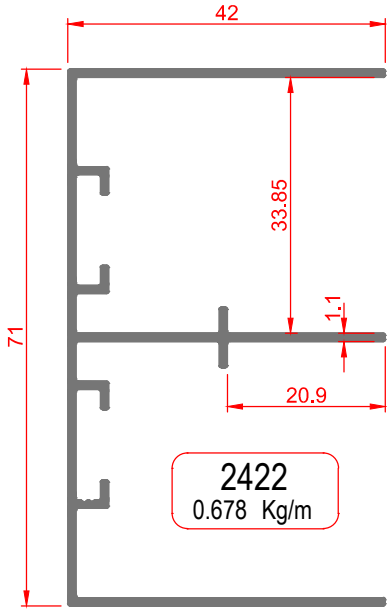
MOBİLYA ve DEKORASYON PROFİLLERİ



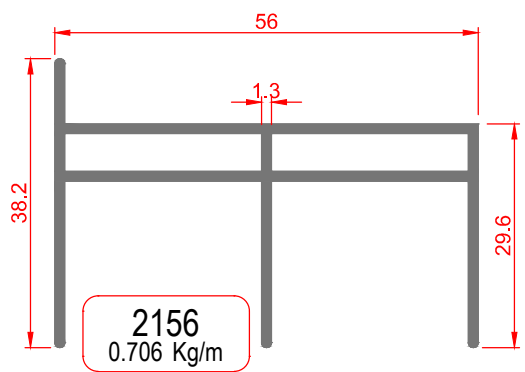
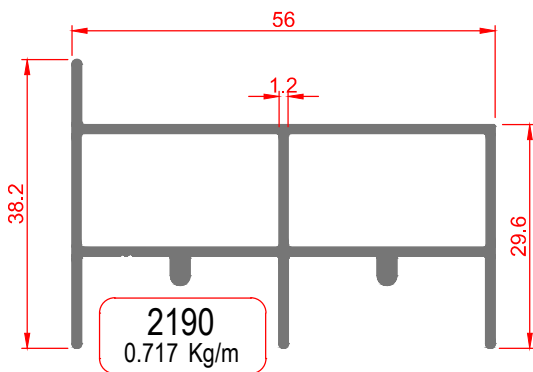
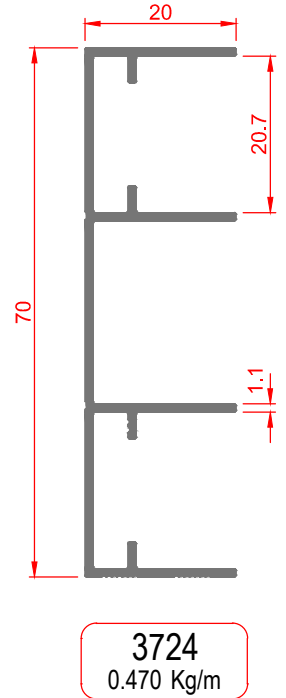
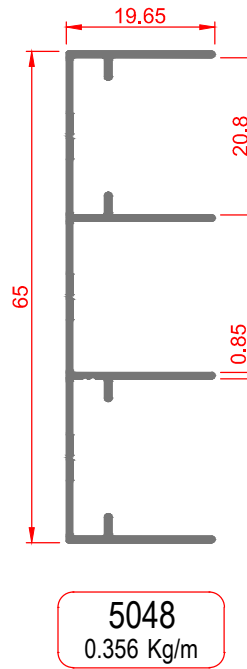
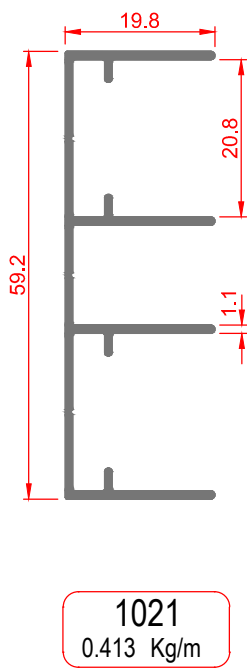
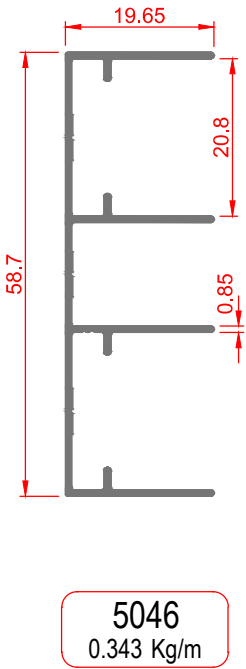
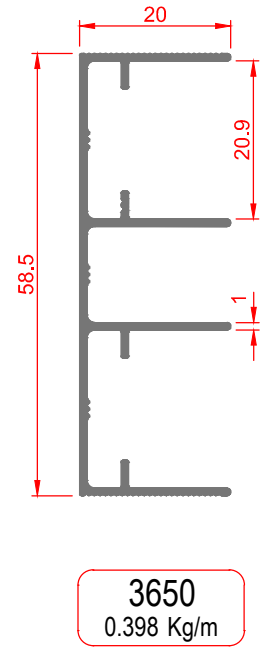
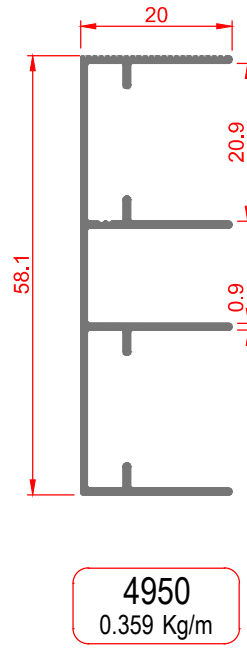
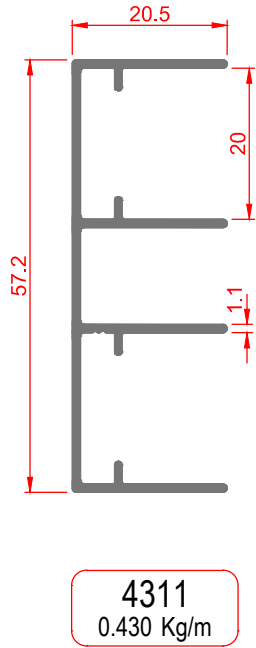
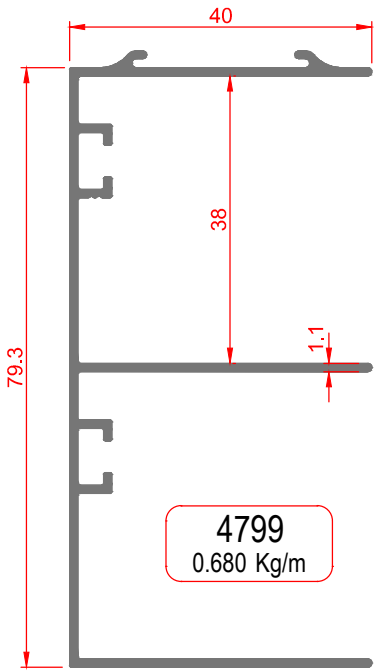
MOBİLYA ve DEKORASYON PROFİLLERİ



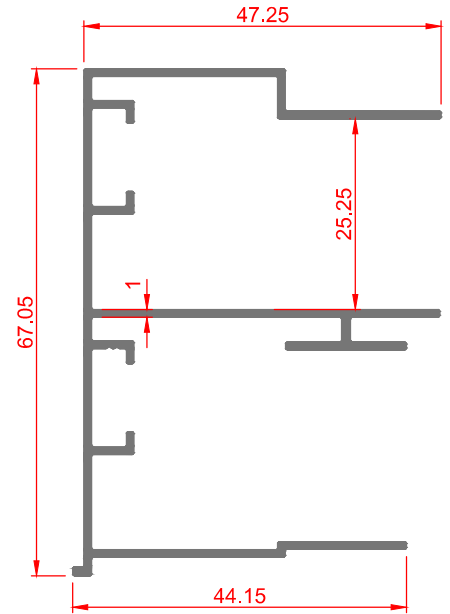
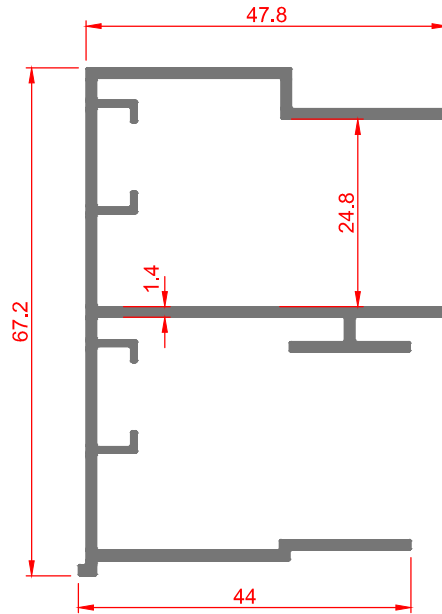
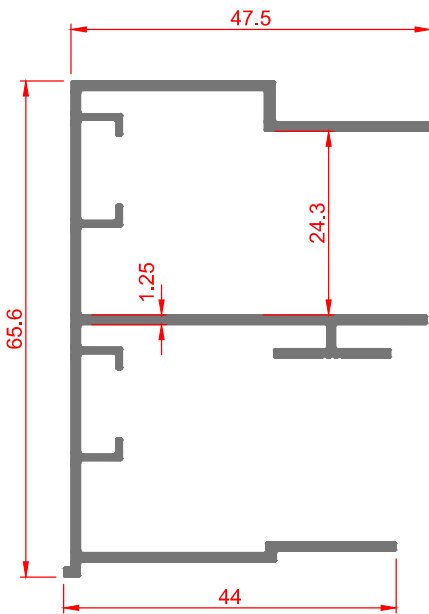
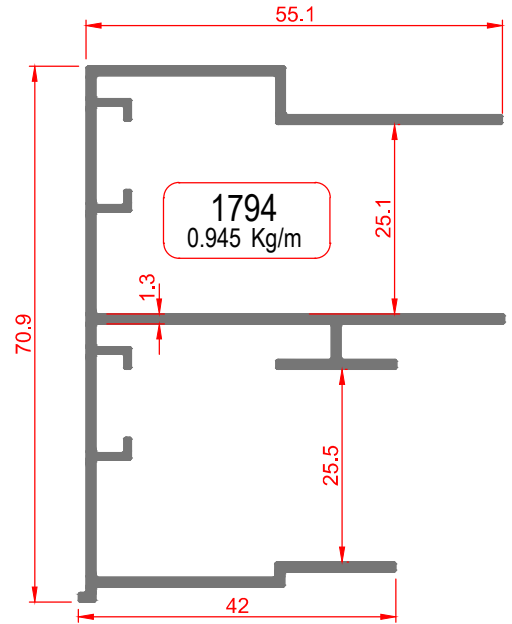
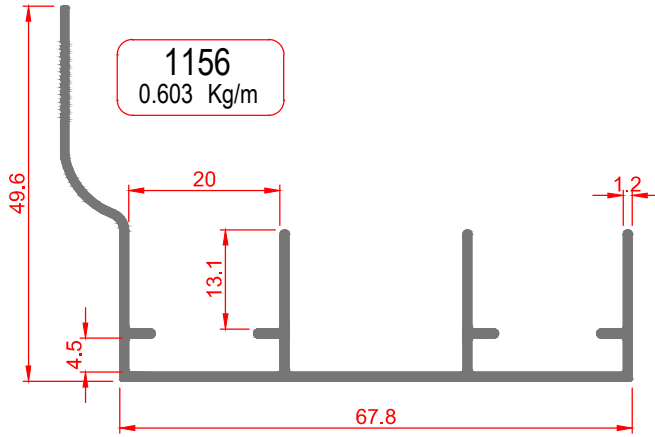
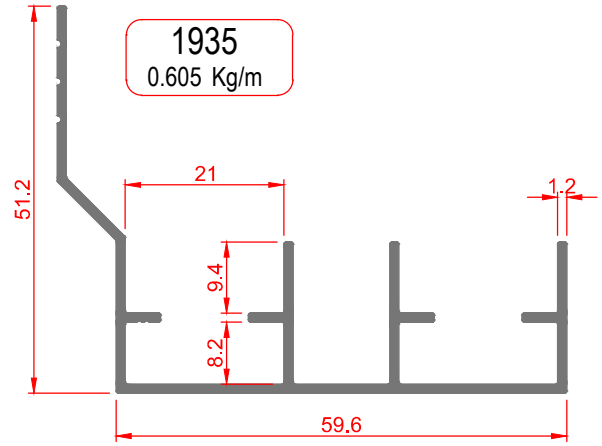
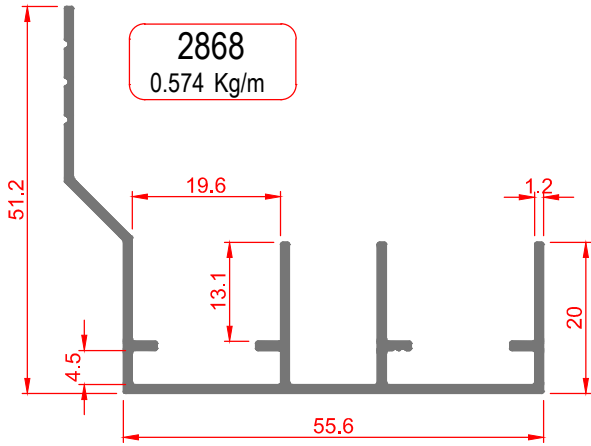
MOBİLYA ve DEKORASYON PROFİLLERİ



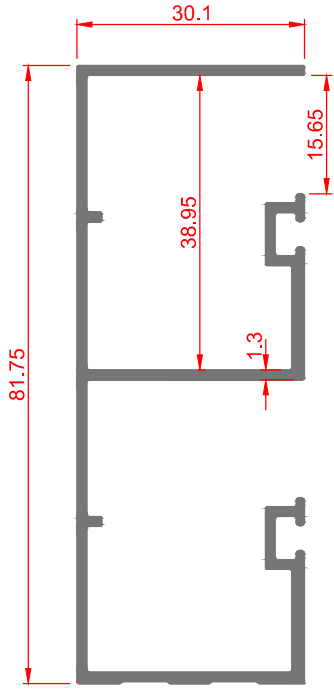
MOBİLYA ve DEKORASYON PROFİLLERİ



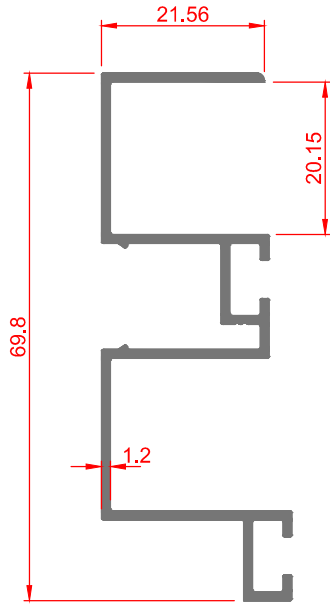
MOBİLYA ve DEKORASYON PROFİLLERİ



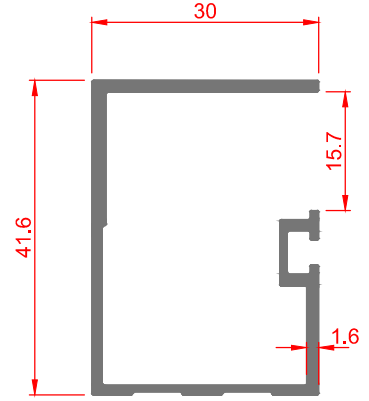
MOBİLYA ve DEKORASYON PROFİLLERİ



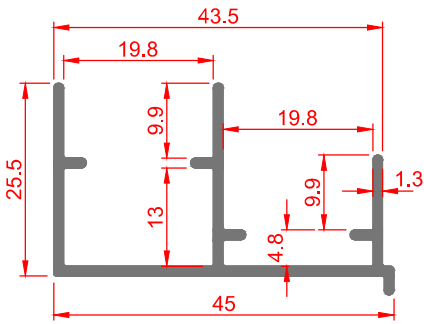
1792
0.874 Kg/m



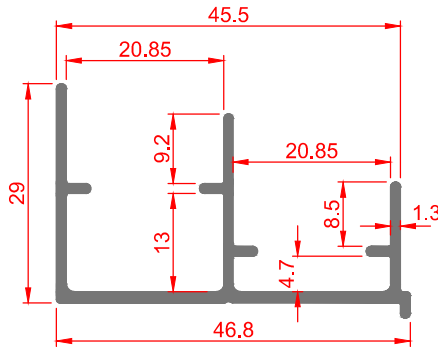
3394
0.570 Kg/m



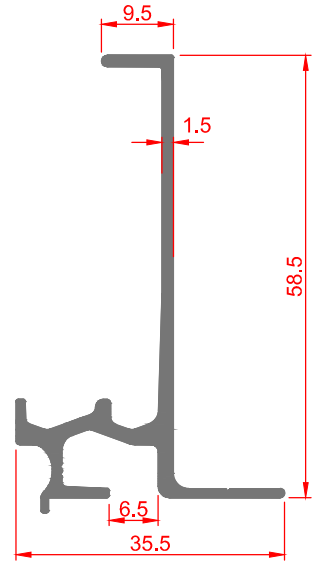
3344
0.509 Kg/m



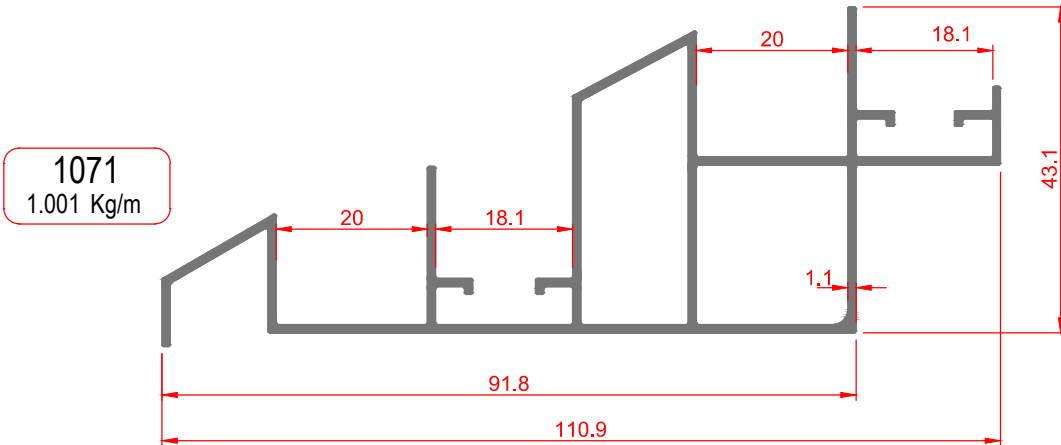
2755
0.426 Kg/m



1283
0.464 Kg/m

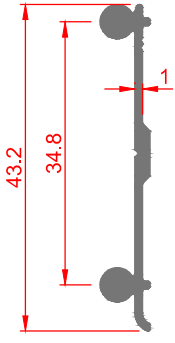


4946
0.546 Kg/m

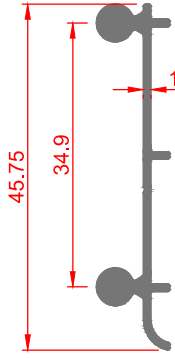


1071
1.001 Kg/m

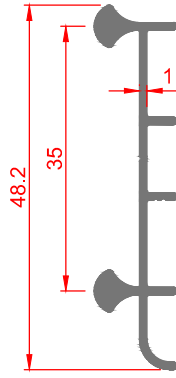
MOBİLYA ve DEKORASYON PROFİLLERİ



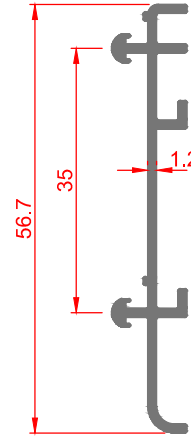
3651
0.229 Kg/m



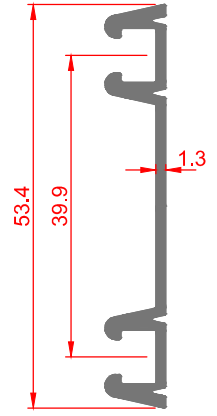
1271
0.268 Kg/m



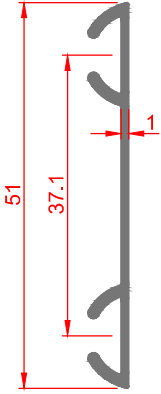
4315
0.271 Kg/m



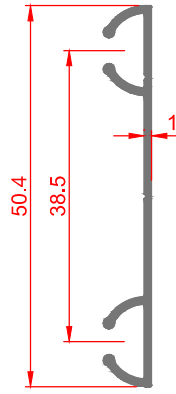
2753
0.316 Kg/m



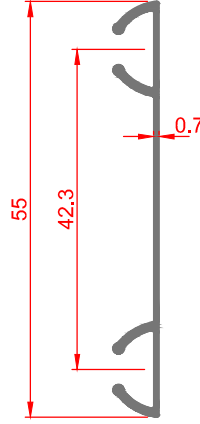
2303
0.355 Kg/m



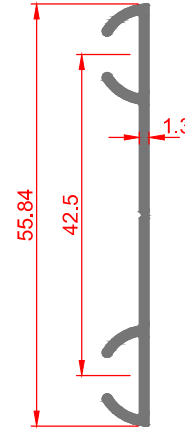
1786
0.225 Kg/m



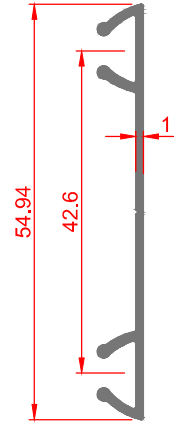
4604
0.210 Kg/m



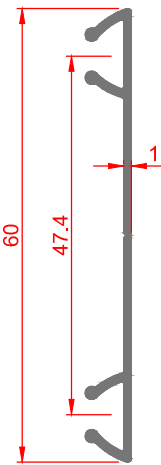
1351
0.183 Kg/m



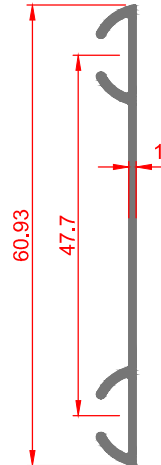
1787
0.276 Kg/m



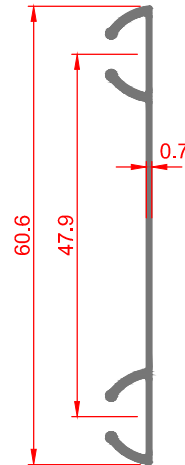
1788
0.225 Kg/m



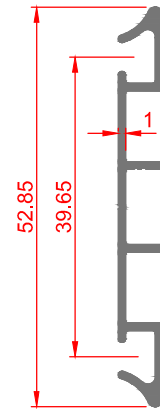
1789
0.236 Kg/m



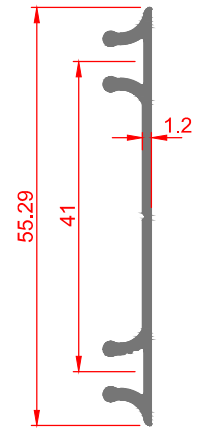
1790
0.234 Kg/m



1350
0.193 Kg/m

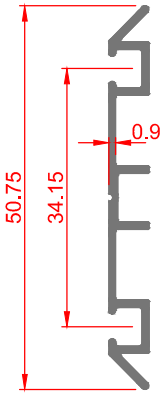


3536
0.244 Kg/m

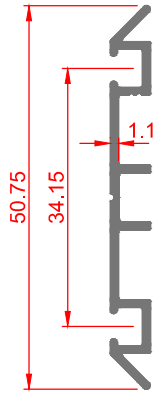


2971
0.264 Kg/m

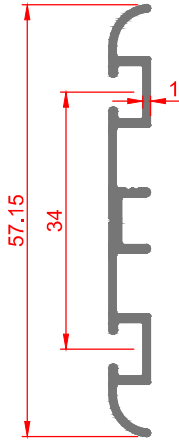
MOBİLYA ve DEKORASYON PROFİLLERİ



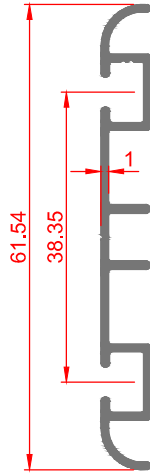
1782
0.222 Kg/m



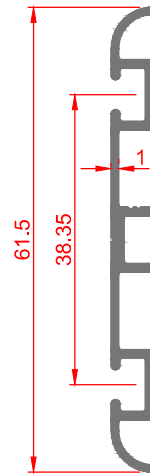
4725
0.237 Kg/m



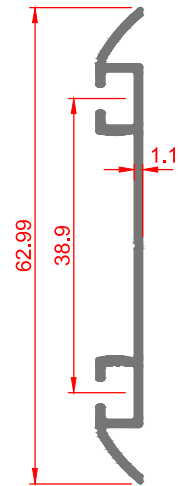
2196
0.279 Kg/m



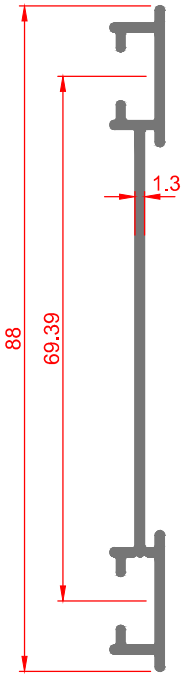
3699
0.293 Kg/m



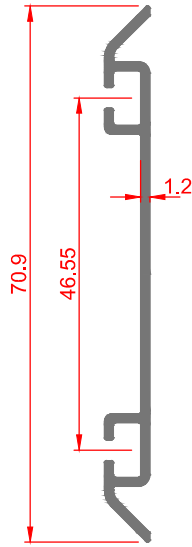
2643
0.290 Kg/m



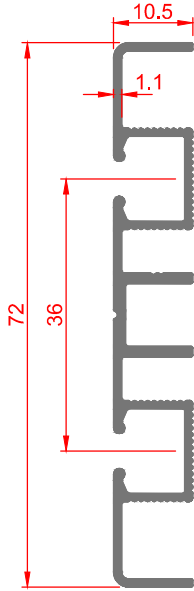
2431
0.286 Kg/m



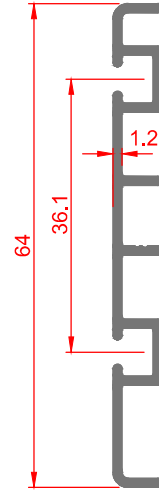
4930
0.420 Kg/m



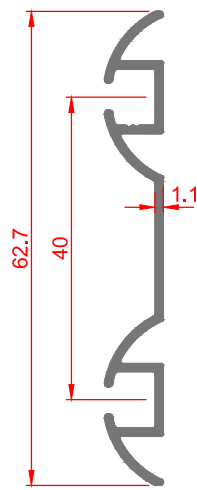
1783
0.327 Kg/m



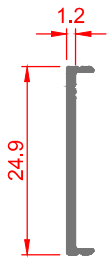
5146
0.489 Kg/m



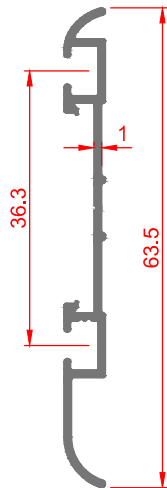
2867
0.356 Kg/m



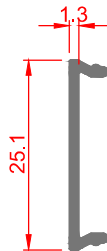
4437
0.313 Kg/m



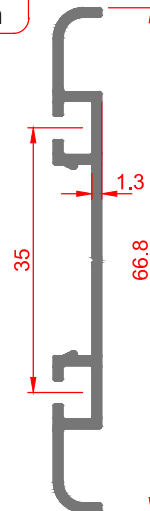
3596
0.089 Kg/m



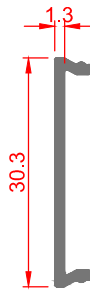
3595
0.258 Kg/m



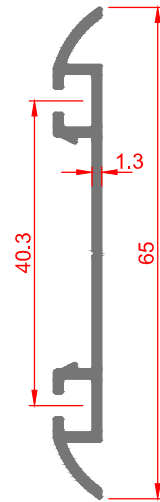
1243
0.116 Kg/m



1244
0.364 Kg/m

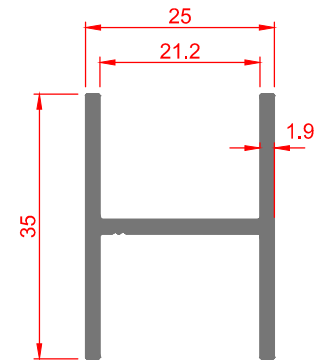
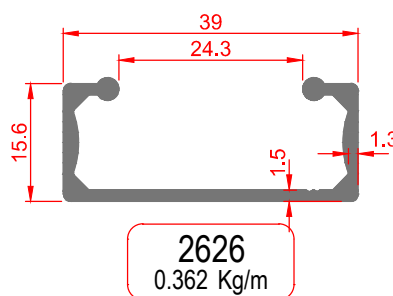
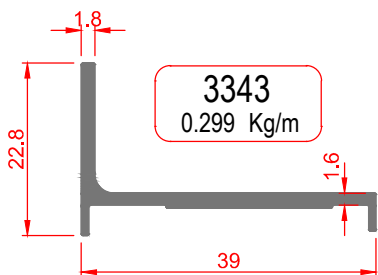
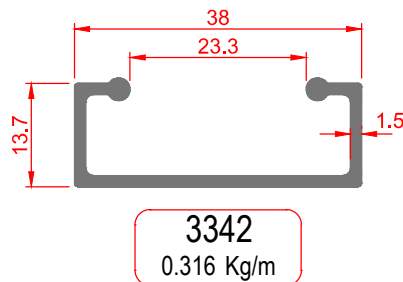
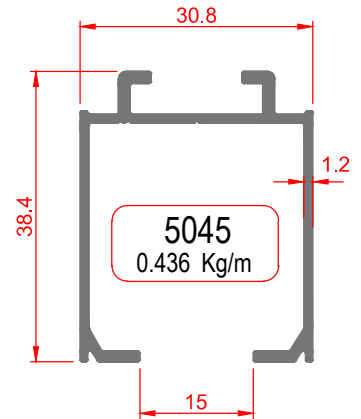
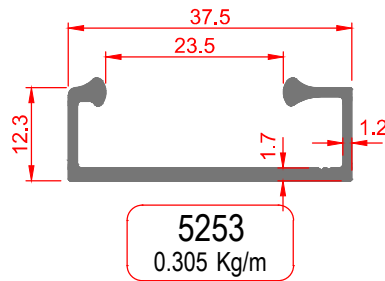
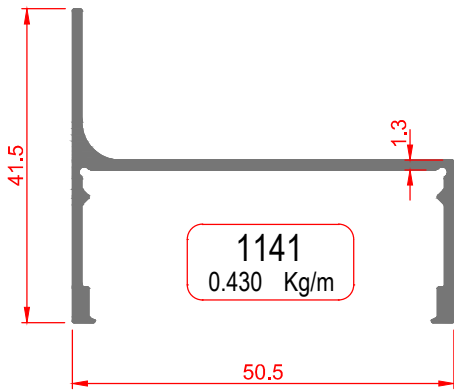
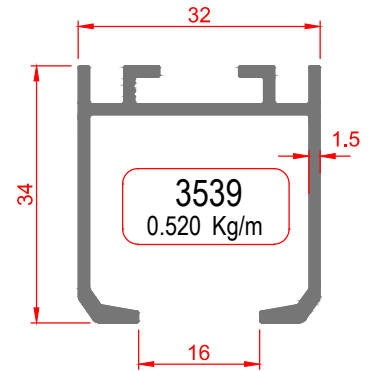
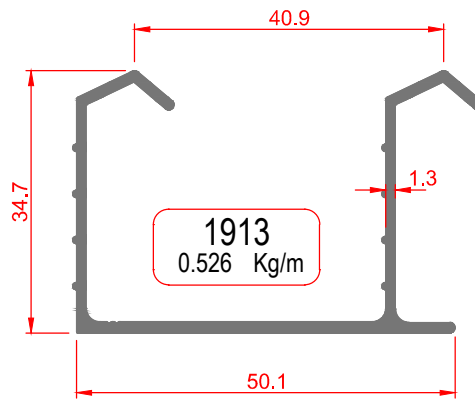
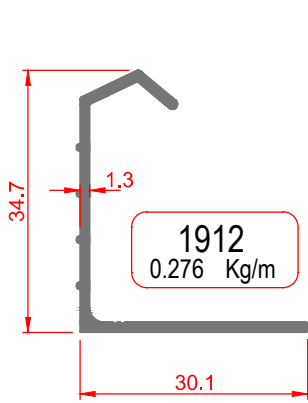
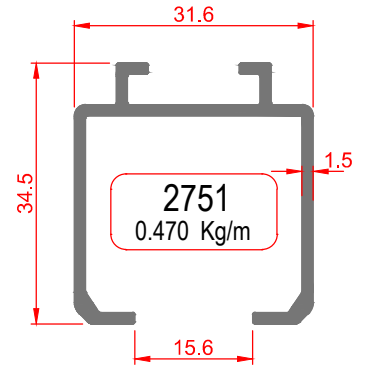
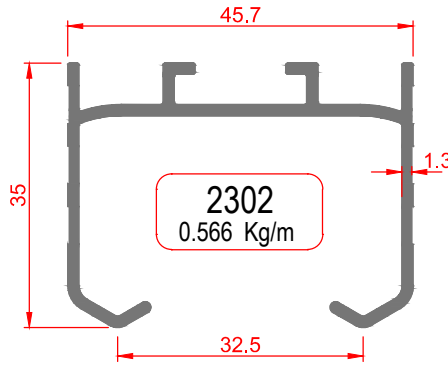
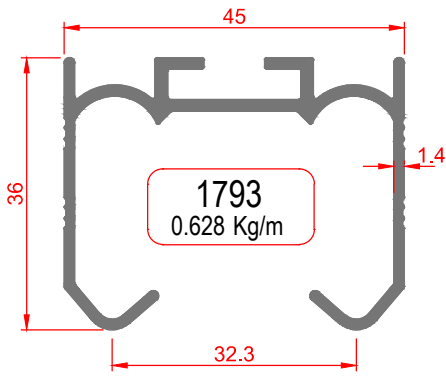


1784
0.134 Kg/m

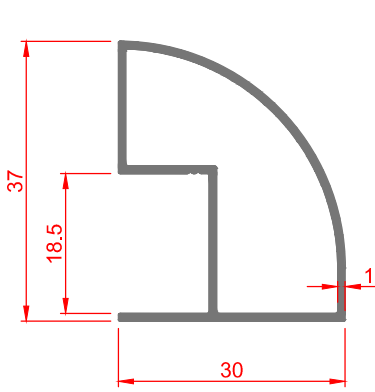


1785
0.343 Kg/m

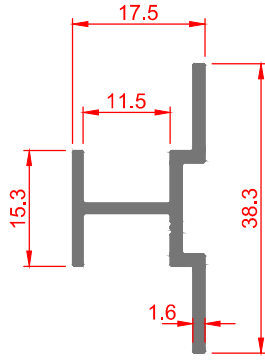
MOBİLYA ve DEKORASYON PROFİLLERİ



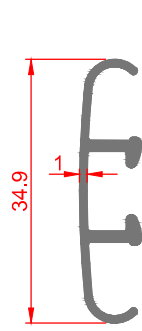
MOBİLYA ve DEKORASYON PROFİLLERİ



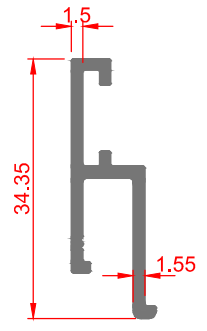
1760
0.349 Kg/m



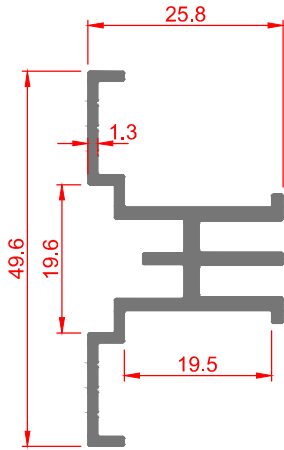
3358
0.292 Kg/m



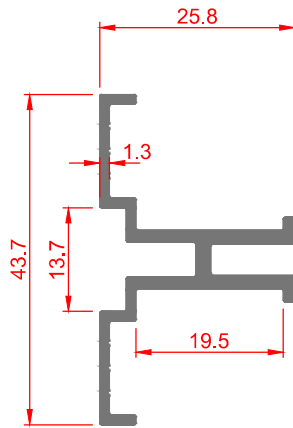
3337
0.197 Kg/m



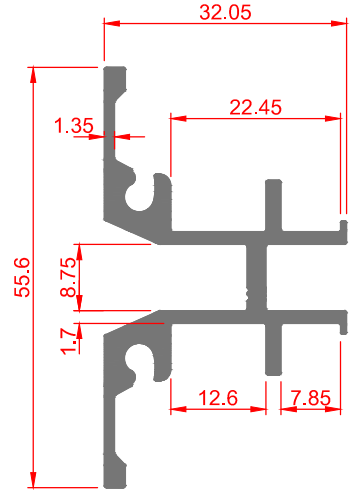
2530
0.268 Kg/m



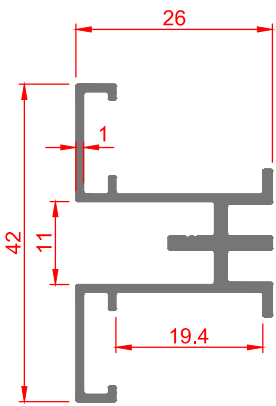
1272
0.522 Kg/m



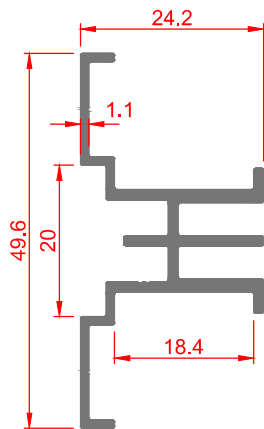
1273
0.417 Kg/m



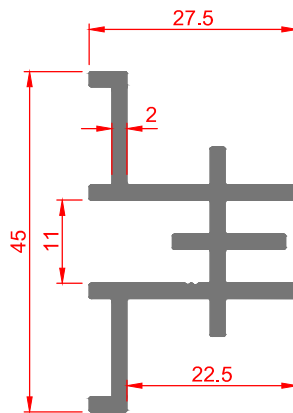
2023
0.790 Kg/m



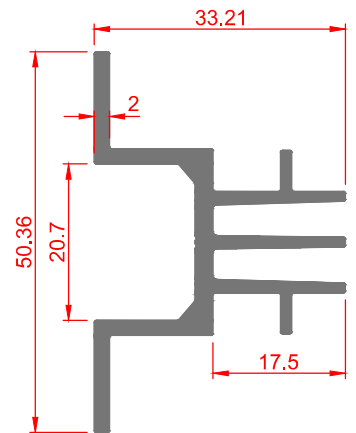
3540
0.405 Kg/m



3541
0.443 Kg/m

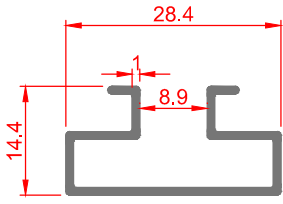


4595
0.674 Kg/m

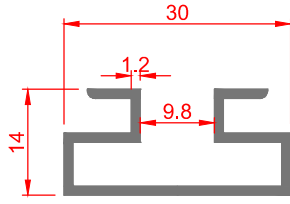


1683
0.721 Kg/m

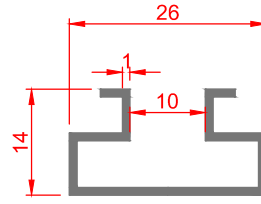
MOBİLYA ve DEKORASYON PROFİLLERİ



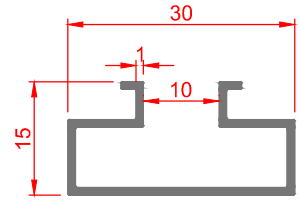
1304
0.212 Kg/m



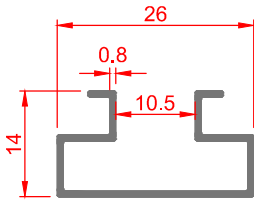
1772
0.274 Kg/m



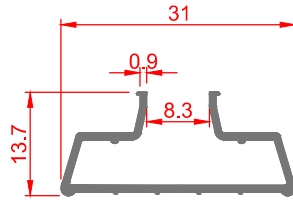
1032
0.194 Kg/m



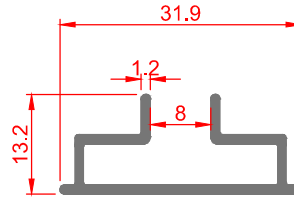
1773
0.216 Kg/m



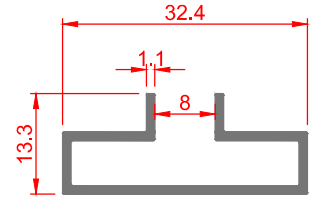
4301
0.156 Kg/m



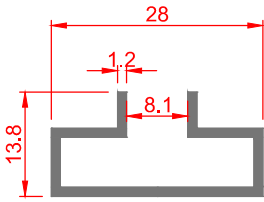
1776
0.181 Kg/m



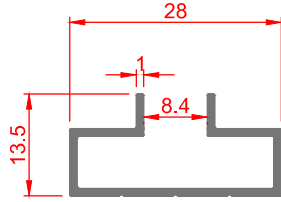
1774
0.237 Kg/m



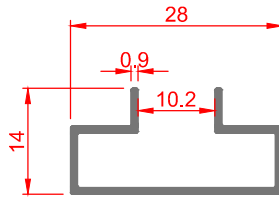
1682
0.235 Kg/m



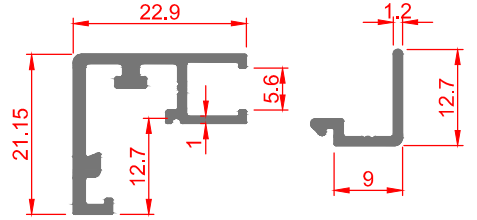
1775
0.229 Kg/m



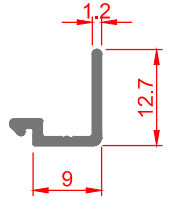
2218
0.190 Kg/m



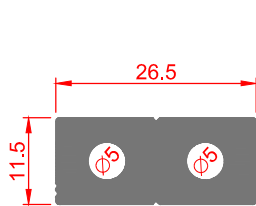
1347
0.170 Kg/m



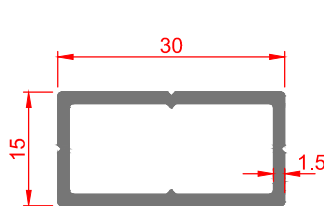
2223
0.271 Kg/m



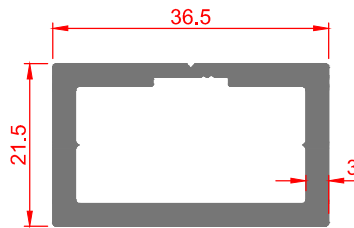
3321
0.085 Kg/m



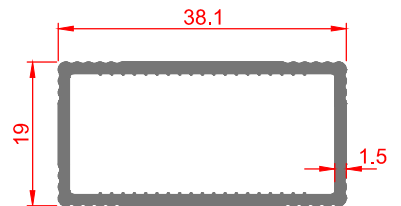
2078
0.714 Kg/m



2077
0.340 Kg/m

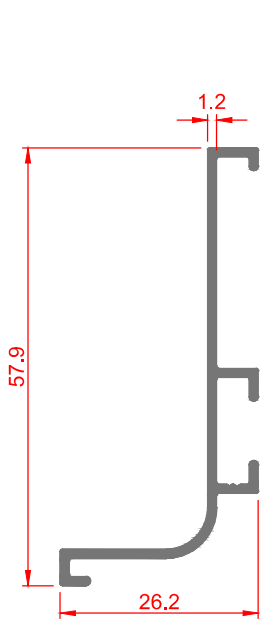


2080
0.808 Kg/m

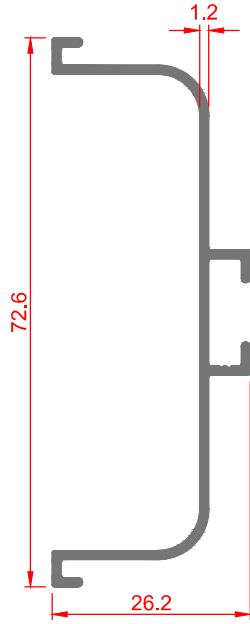


1075
0.429 Kg/m

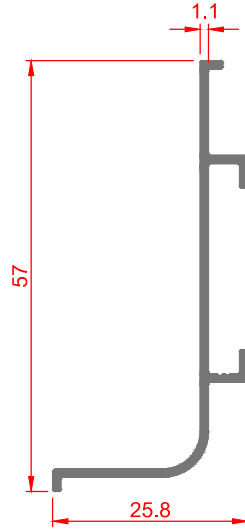
MOBİLYA ve DEKORASYON PROFİLLERİ



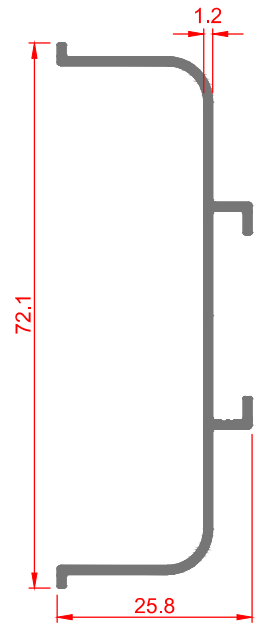
2675
0.329 Kg/m



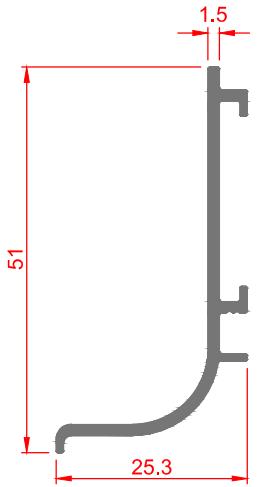
2676
0.417 Kg/m



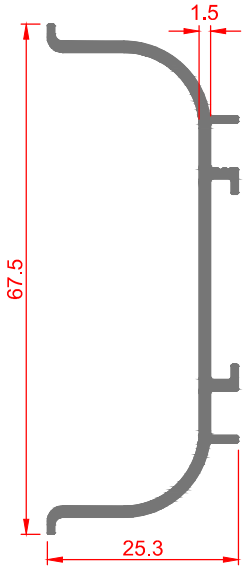
2647
0.275 Kg/m



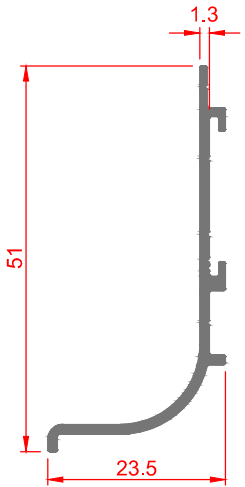
2648
0.397 Kg/m



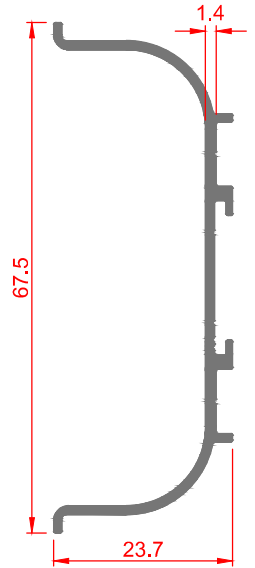
3537
0.315 Kg/m



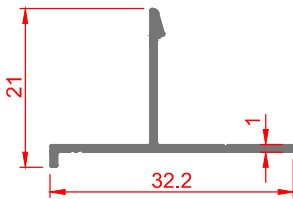
3538
0.450 Kg/m



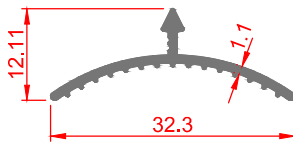
4182
0.259 Kg/m



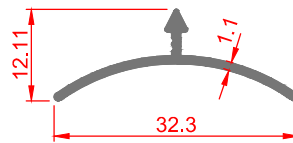
4181
0.369 Kg/m



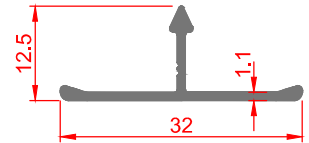
5173
0.145 Kg/m



2644
0.137 Kg/m

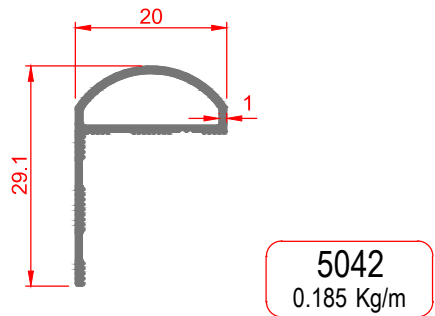
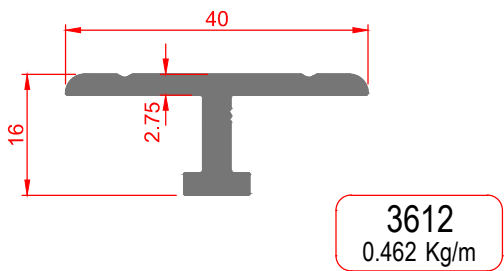
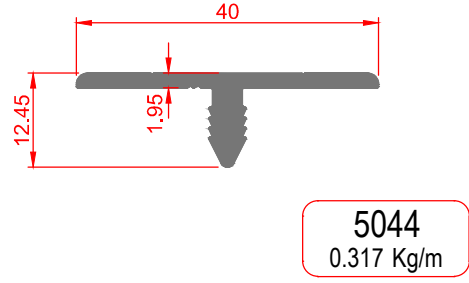
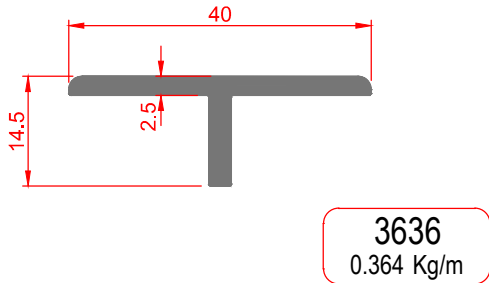
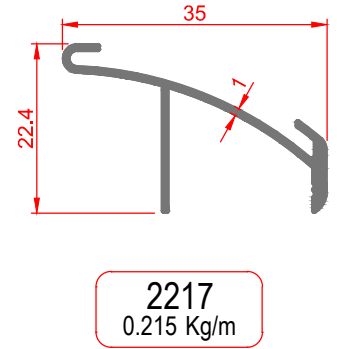
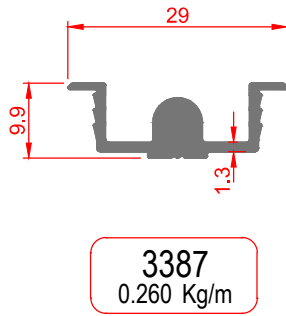
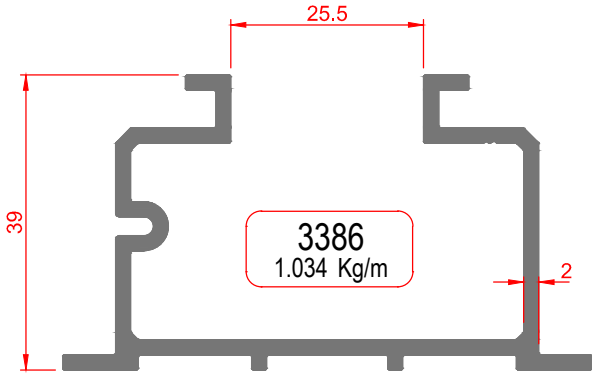
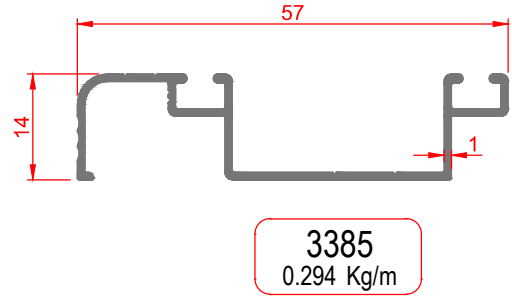
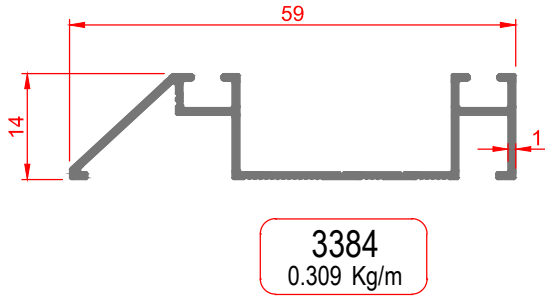
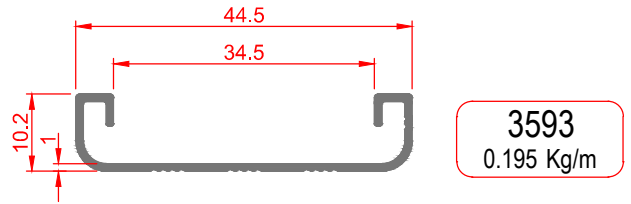
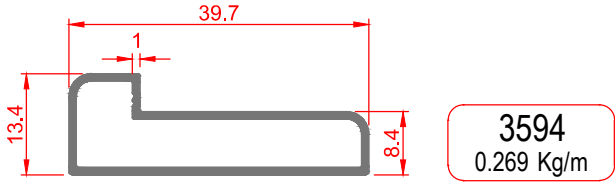


2645
0.126 Kg/m

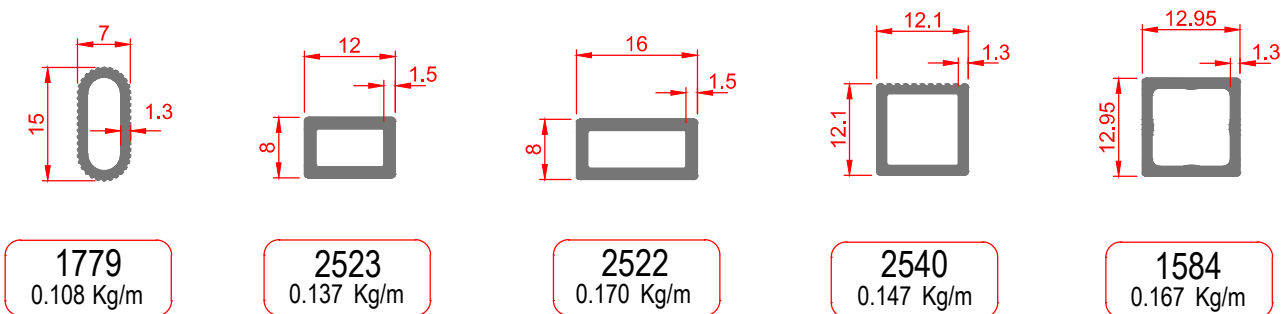
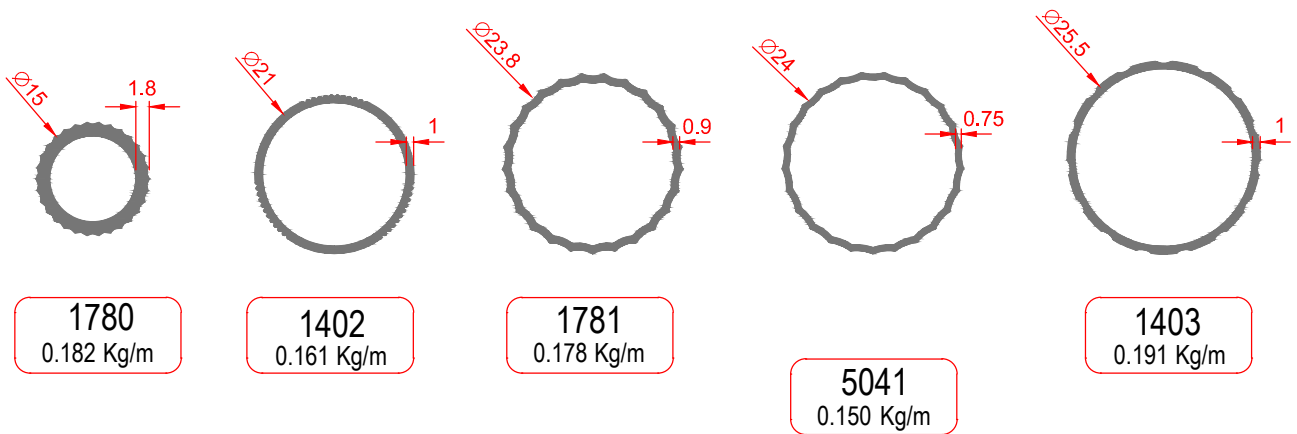
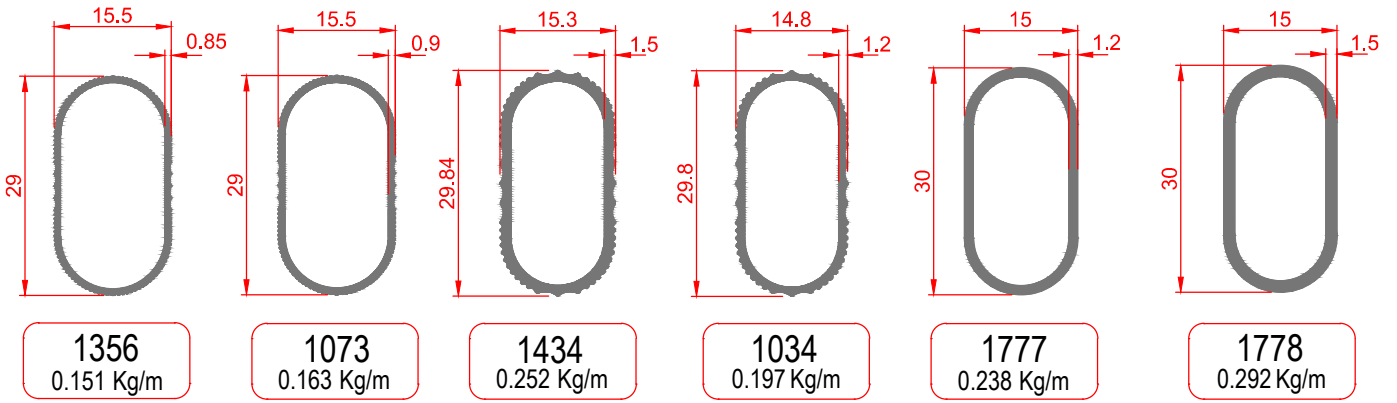
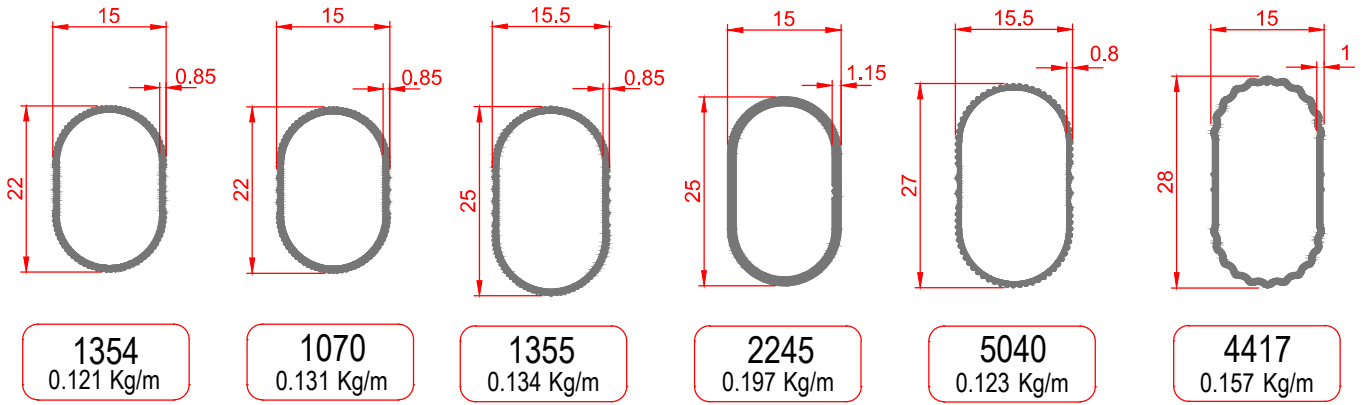


2646
0.145 Kg/m

MOBİLYA ve DEKORASYON PROFİLLERİ

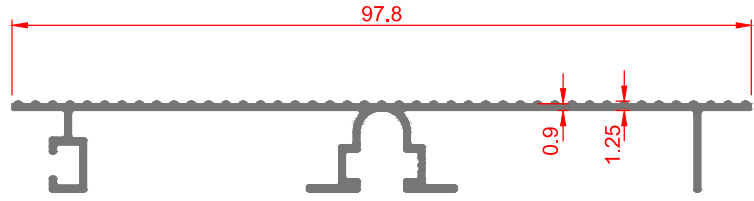


MOBİLYA ve DEKORASYON PROFİLLERİ

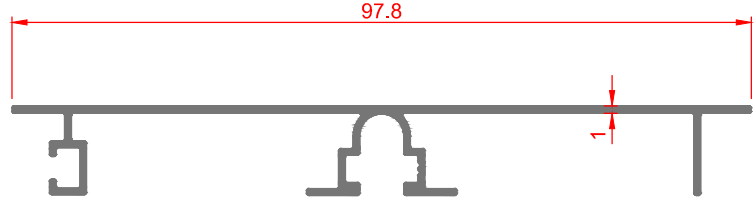


MOBİLYA ve DEKORASYON PROFİLLERİ

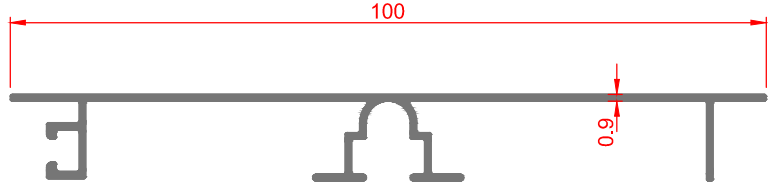
2191
0.450 Kg/m



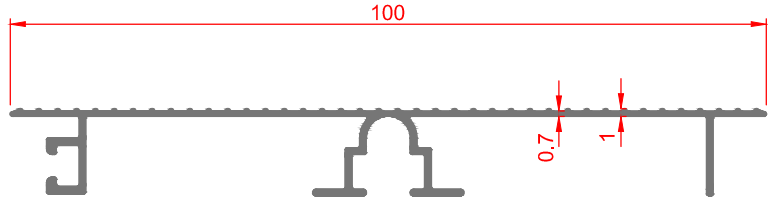
2192
0.445 Kg/m



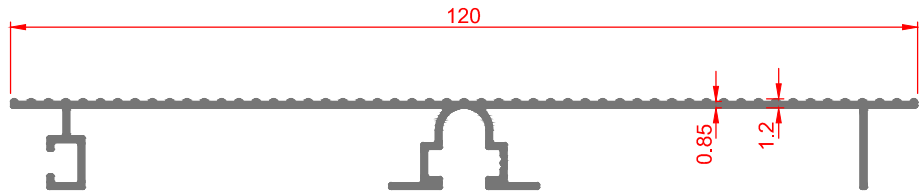
1324
0.418 Kg/m



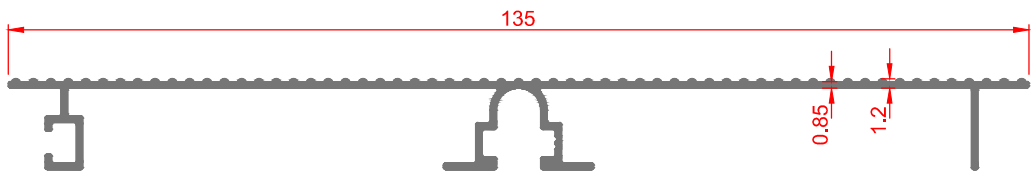
1325
0.384 Kg/m



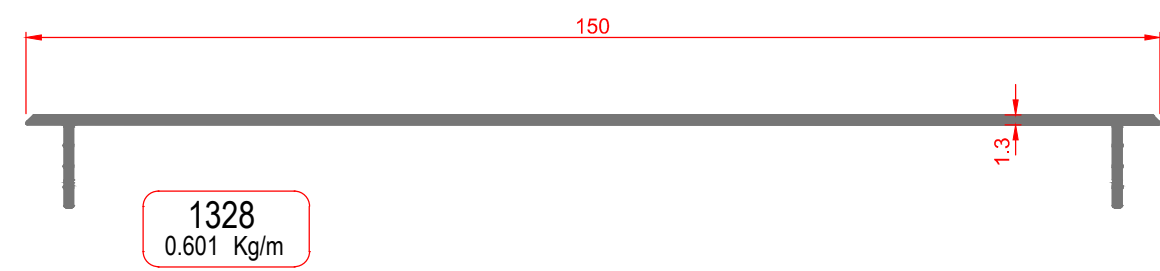
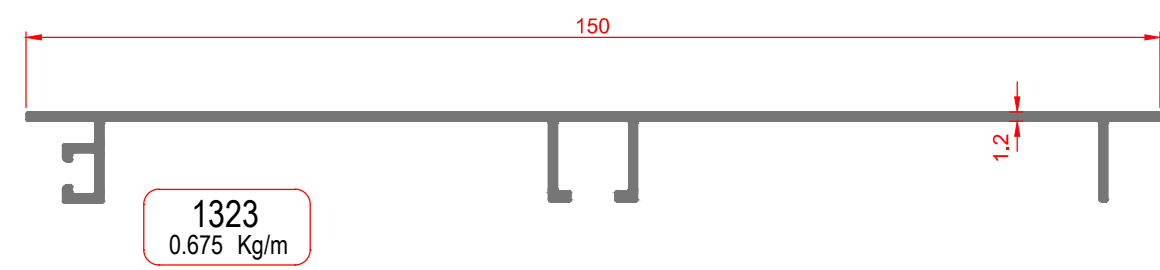
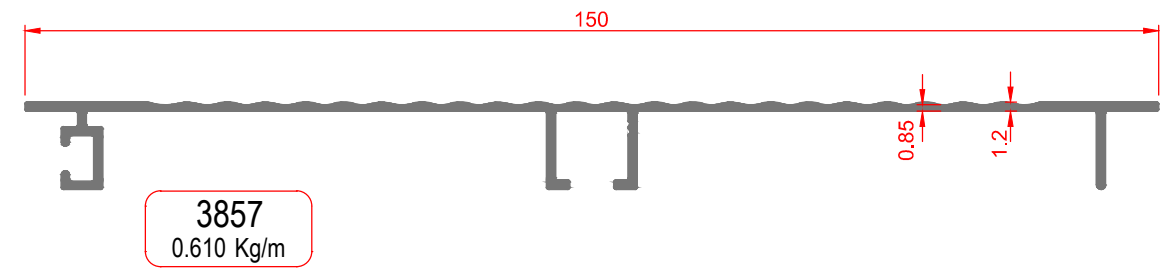
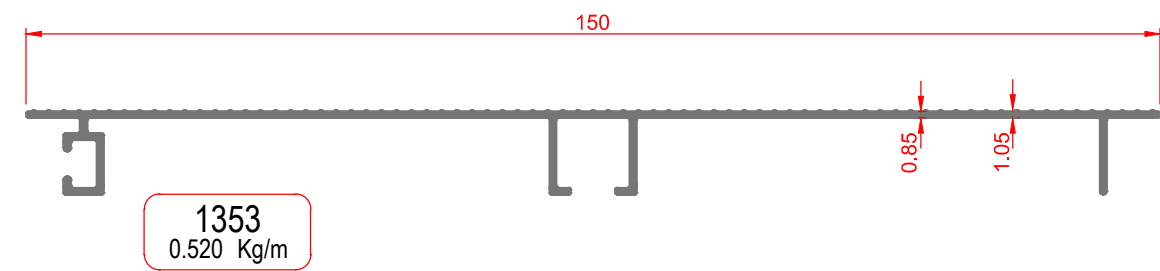
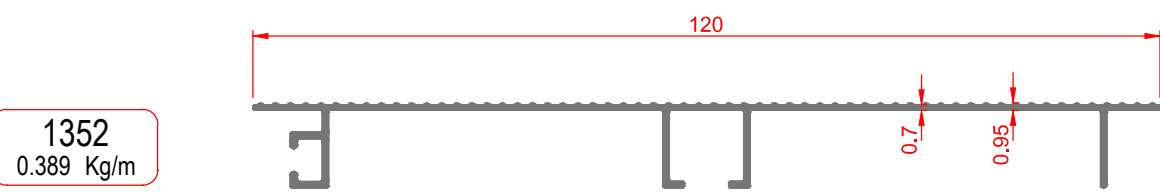
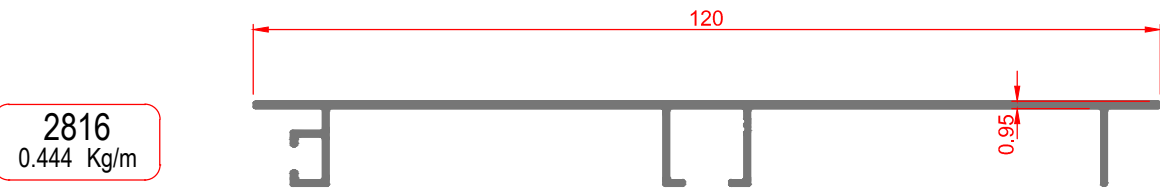
2193
0.495 Kg/m



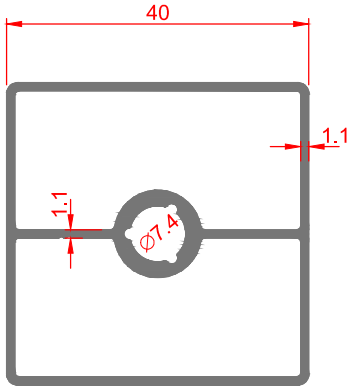
3544
0.535 Kg/m



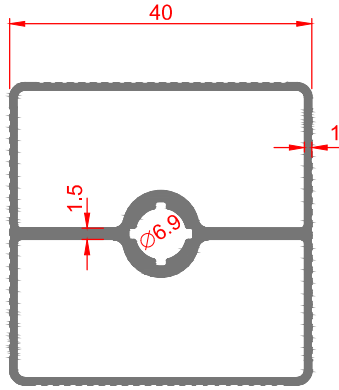
MOBİLYA ve DEKORASYON PROFİLLERİ



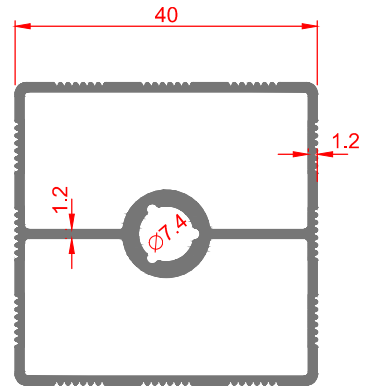
MOBİLYA ve DEKORASYON PROFİLLERİ



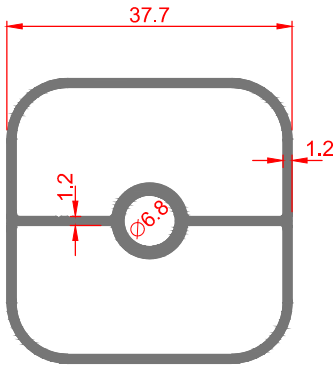
3374
0.697 Kg/m



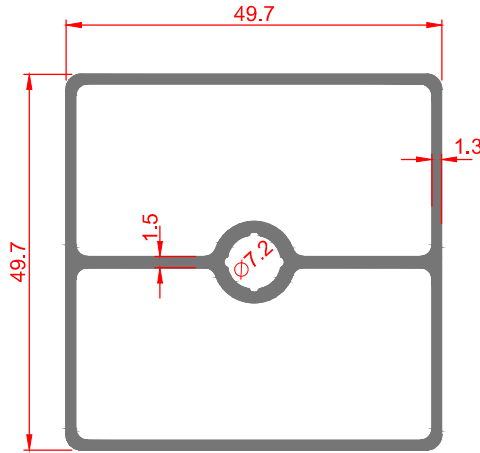
1798
0.645 Kg/m



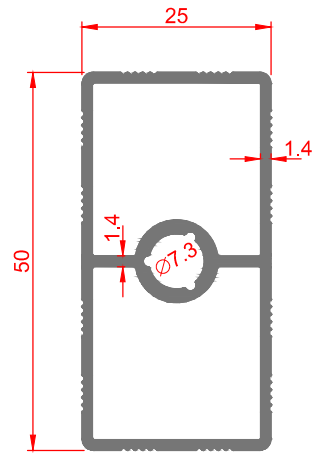
1797
0.688 Kg/m



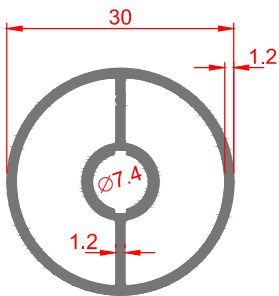
1799
0.628 Kg/m



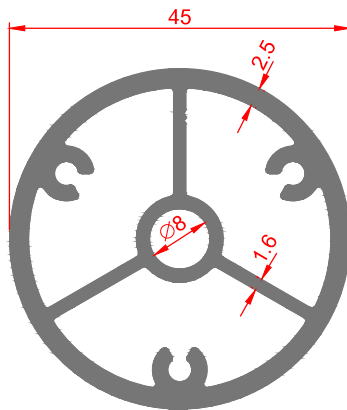
1800
0.963 Kg/m



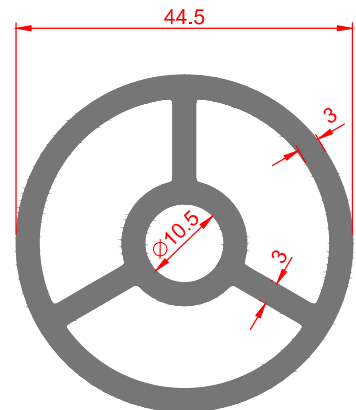
1801
0.695 Kg/m



4312
0.449 Kg/m

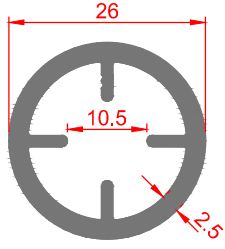


2586
1.429 Kg/m

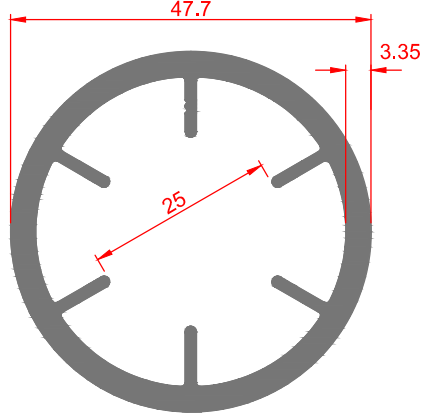


1933
1.669 Kg/m

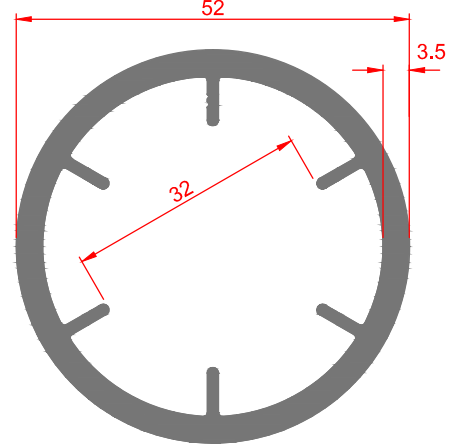
MOBİLYA ve DEKORASYON PROFİLLERİ



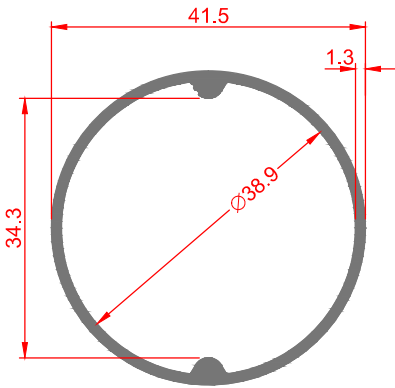
5119
0.581 Kg/m



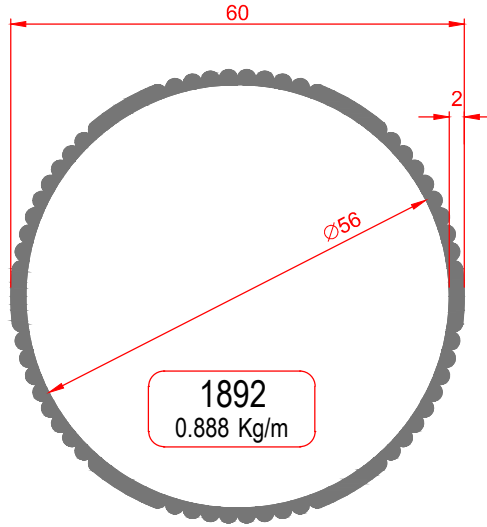
5243
1.452 Kg/m



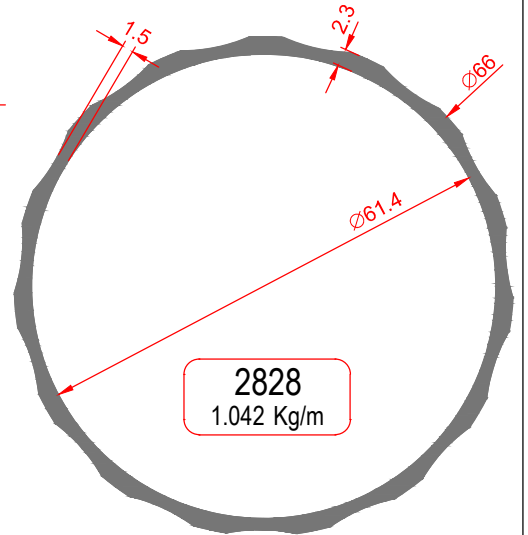
5244
1.595 Kg/m



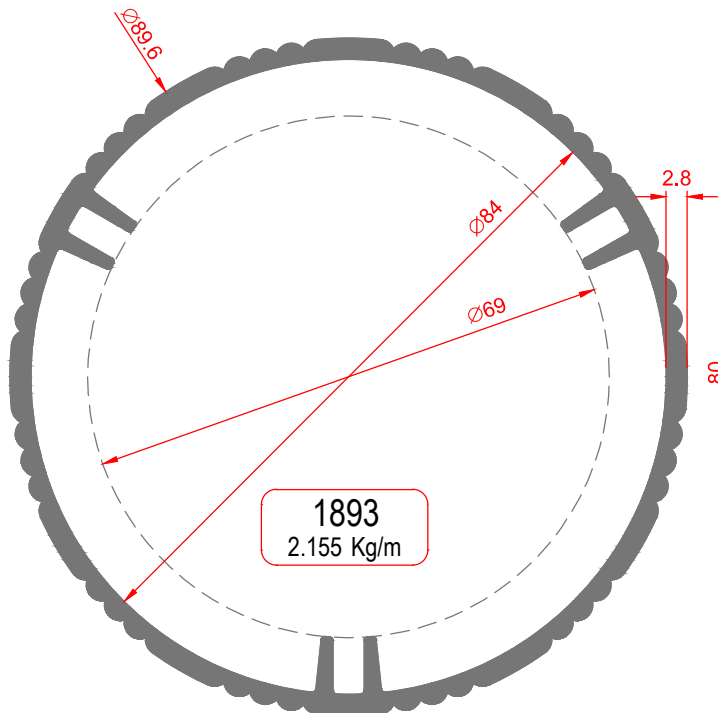
2864
0.484 Kg/m



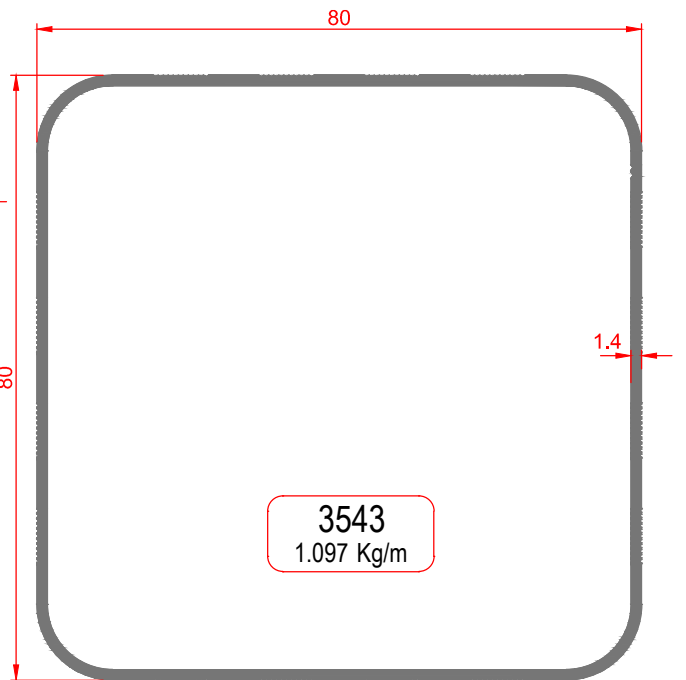
1892
0.888 Kg/m



2828
1.042 Kg/m

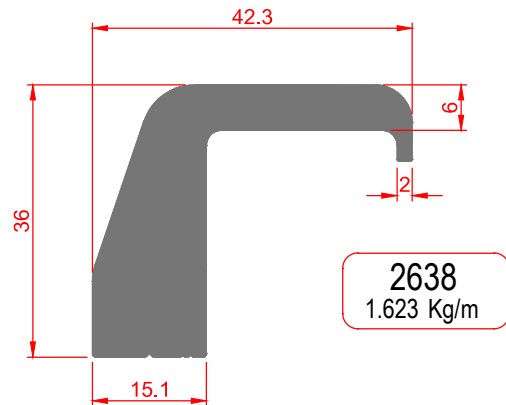
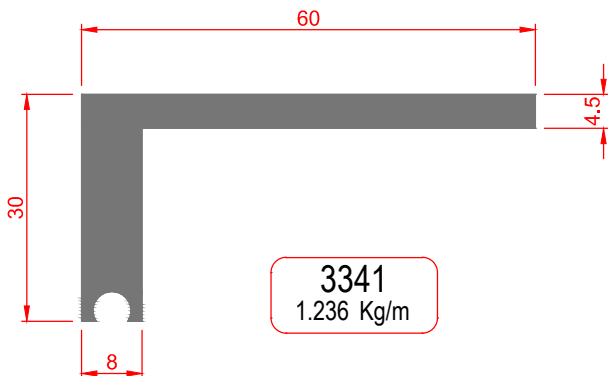
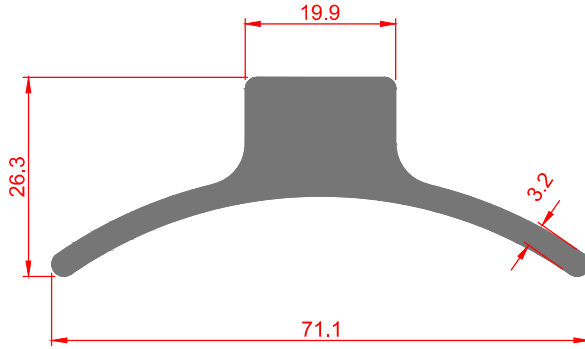
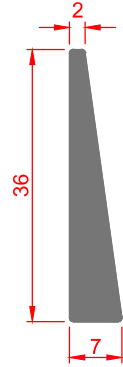
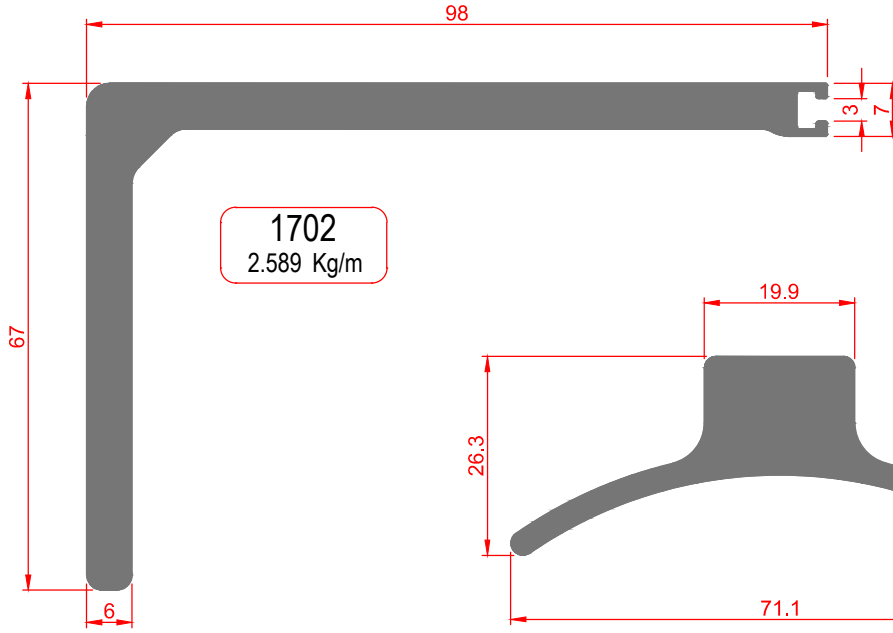
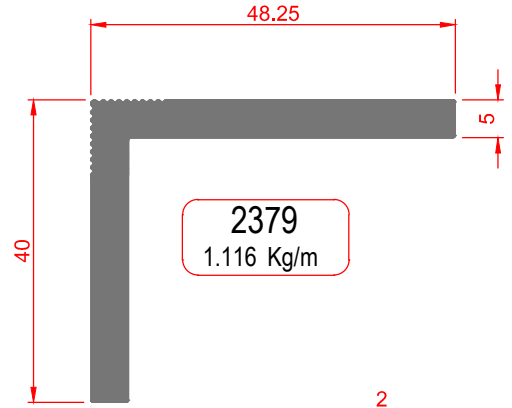
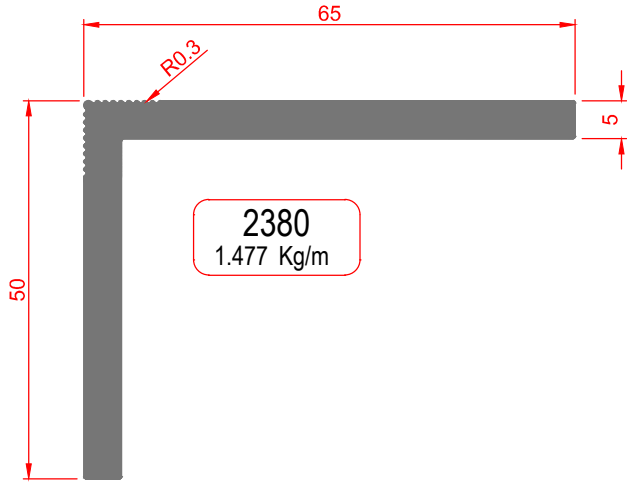


1893
2.155 Kg/m

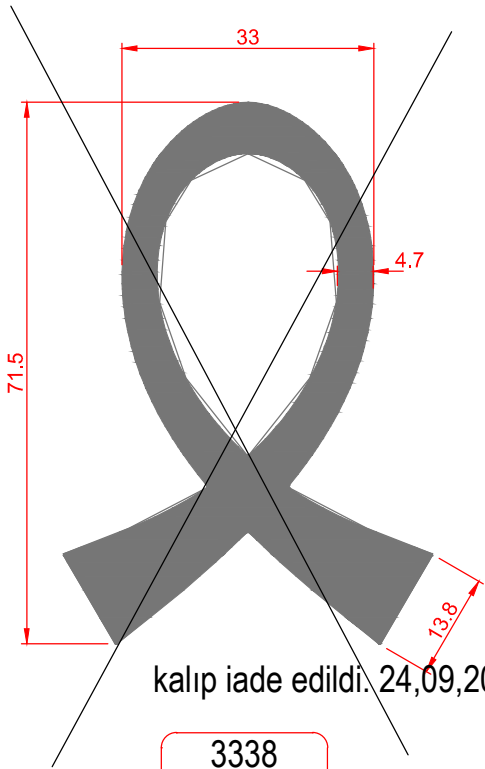


3543
1.097 Kg/m

MOBİLYA ve DEKORASYON PROFİLLERİ

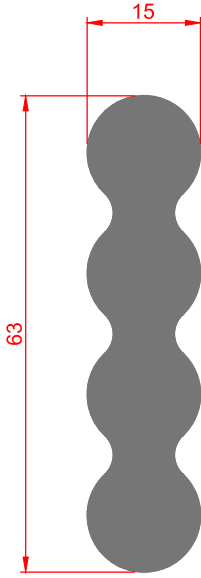


MOBİLYA ve DEKORASYON PROFİLLERİ

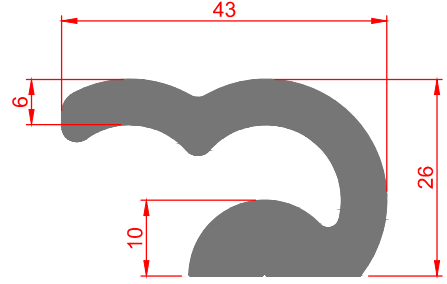


kalıp iade edildi. 24,09,2018

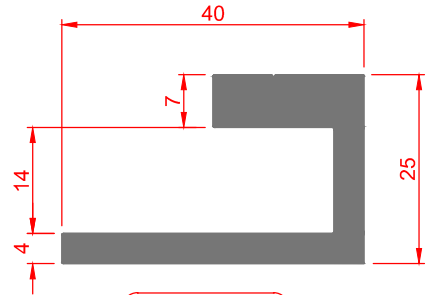
3338
3.038 Kg/m



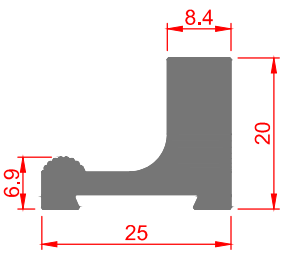
3336
2.036 Kg/m



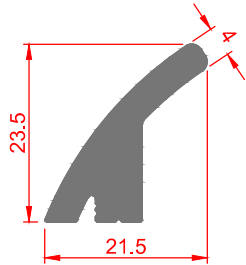
1806
1.376 Kg/m



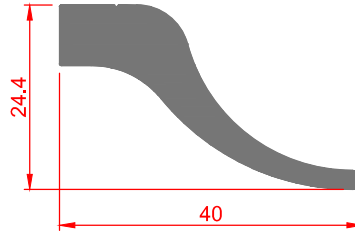
1811
0.961 Kg/m



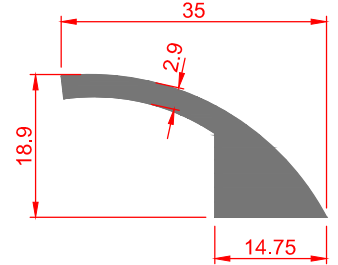
2704
0.628 Kg/m



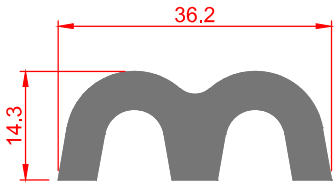
2475
0.477 Kg/m



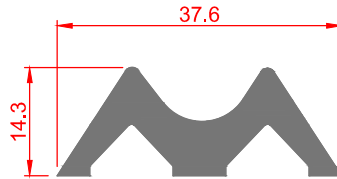
1805
0.690 Kg/m



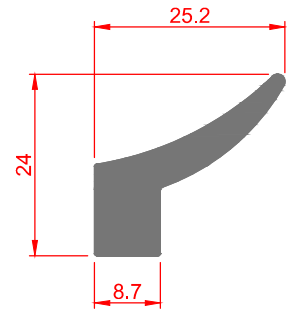
1809
0.520 Kg/m



1807
0.789 Kg/m

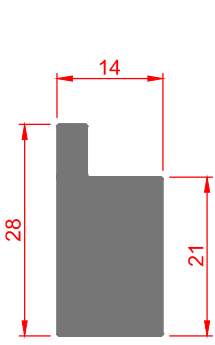


1808
0.627 Kg/m

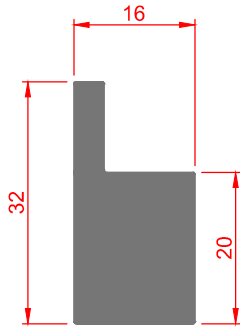


1810
0.519 Kg/m

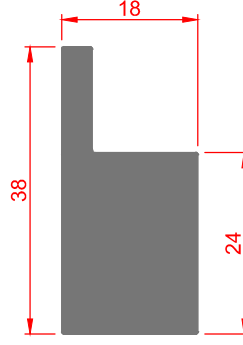
MOBİLYA ve DEKORASYON PROFİLLERİ



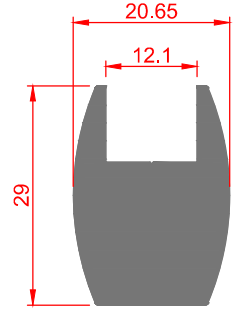
1824
0.869 Kg/m



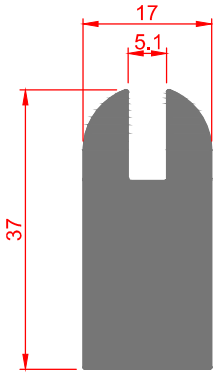
1826
0.993 Kg/m



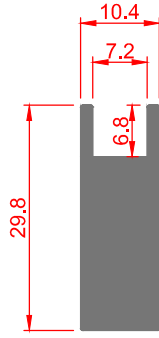
1825
1.317 Kg/m



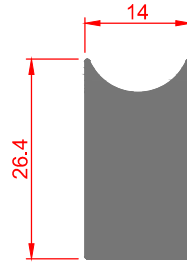
1827
1.134 Kg/m



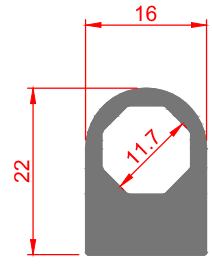
1823
1.467 Kg/m



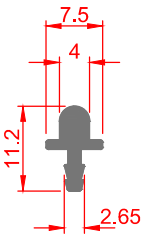
2268
0.704 Kg/m



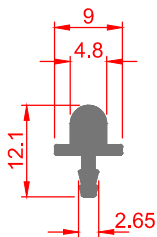
1813
0.886 Kg/m



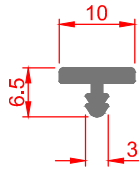
1820
0.570 Kg/m



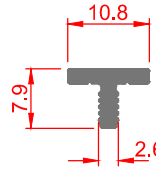
2756
0.099 Kg/m



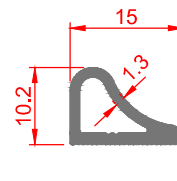
2301
0.125 Kg/m



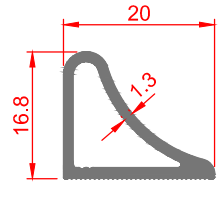
1063
0.078 Kg/m



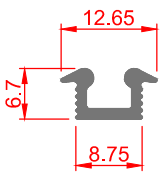
2323
0.095 Kg/m



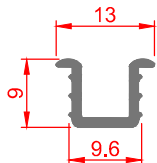
1925
0.142 Kg/m



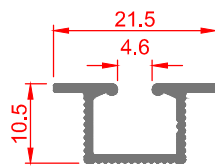
2076
0.214 Kg/m



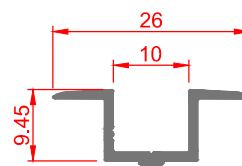
2161
0.087 Kg/m



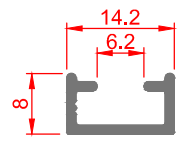
1062
0.088 Kg/m



5147
0.135 Kg/m

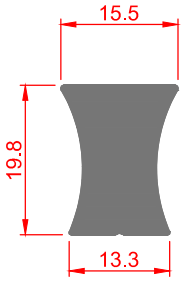


3532
0.132 Kg/m

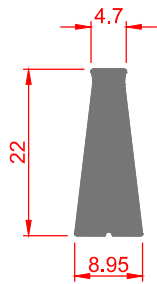


4931
0.107 Kg/m

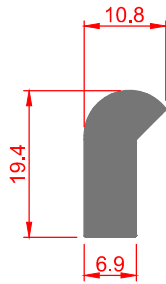
MOBİLYA ve DEKORASYON PROFİLLERİ



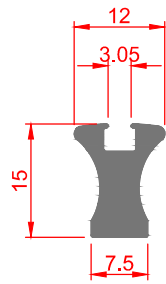
4322
0.614 Kg/m



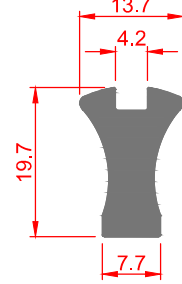
1804
0.380 Kg/m



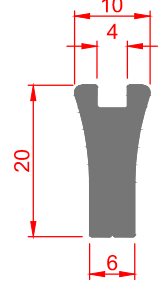
2722
0.379 Kg/m



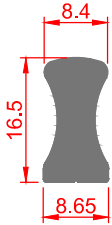
1343
0.258 Kg/m



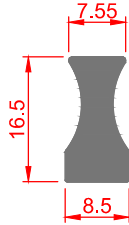
2517
0.404 Kg/m



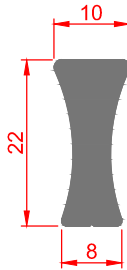
2590
0.344 Kg/m



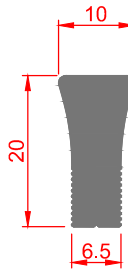
1802
0.294 Kg/m



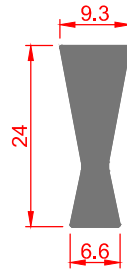
1803
0.277 Kg/m



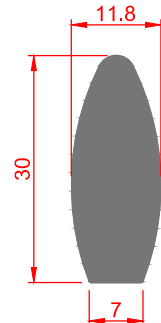
2436
0.391 Kg/m



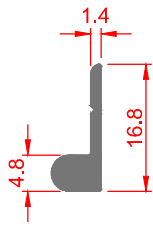
2589
0.390 Kg/m



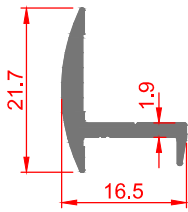
2519
0.385 Kg/m



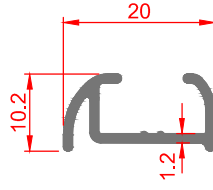
3745
0.768 Kg/m



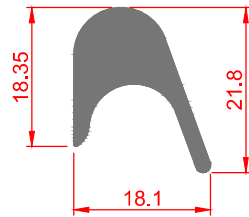
3678
0.123 Kg/m



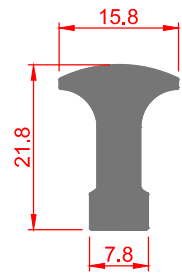
2719
0.199 Kg/m



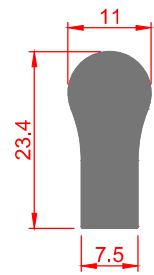
1815
0.151 Kg/m



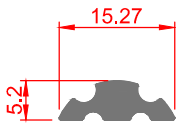
3744
0.444 Kg/m



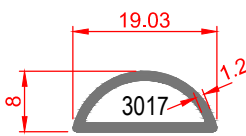
2516
0.460 Kg/m



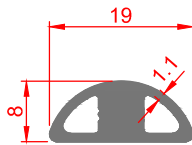
2518
0.525 Kg/m



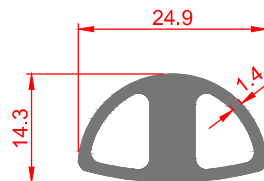
3017
0.123 Kg/m



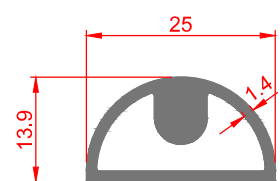
3018
0.135 Kg/m



4584
0.220 Kg/m

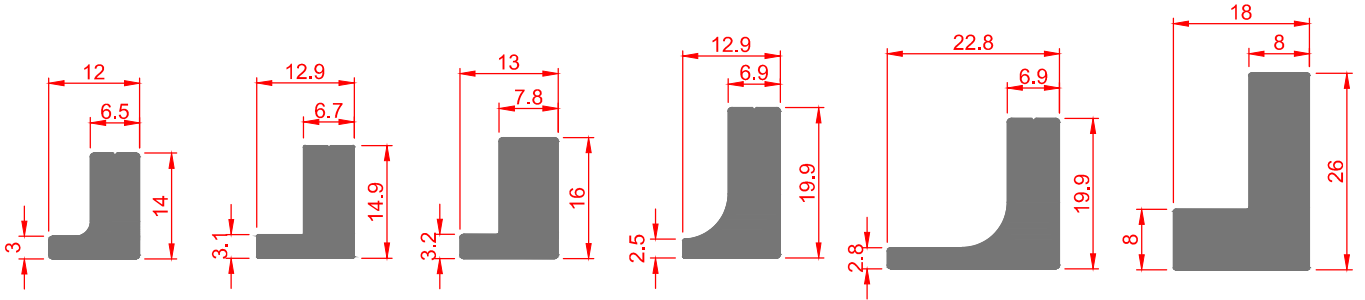


1860
0.420 Kg/m

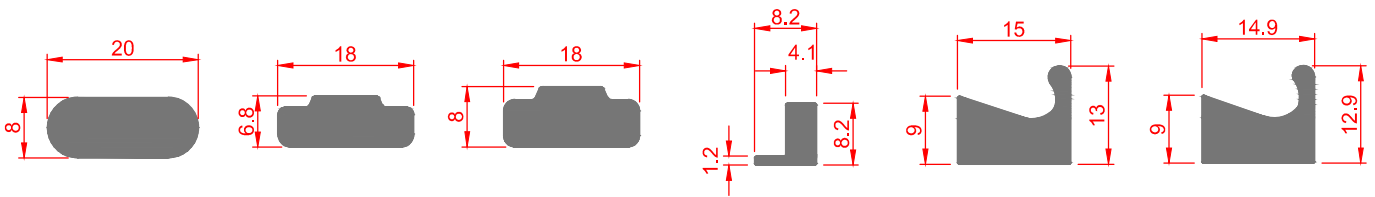


1861
0.363 Kg/m

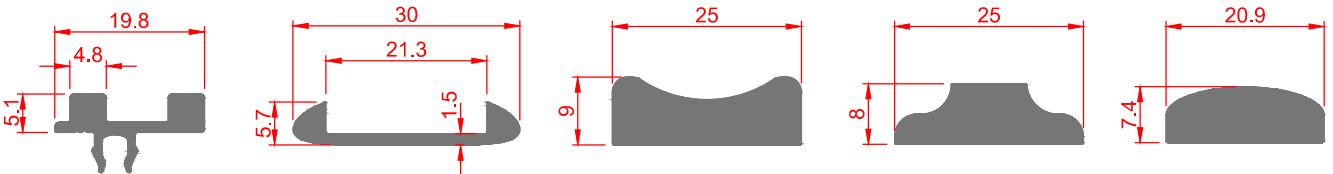
MOBİLYA ve DEKORASYON PROFİLLERİ



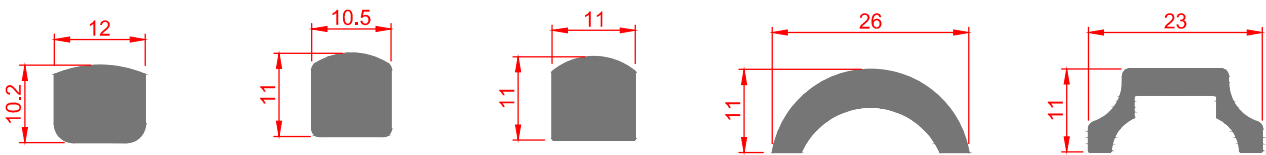
3389 0.292 Kg/m
 1845 0.321 Kg/m
 1846 0.381 Kg/m
 3947 0.431 Kg/m
 2437 0.511 Kg/m
 1847 0.777 Kg/m



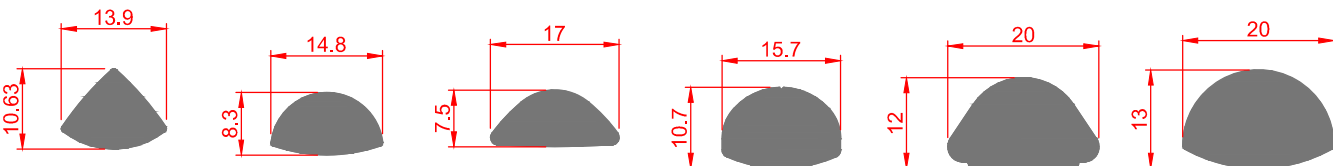
1849 0.395 Kg/m
 1851 0.291 Kg/m
 3349 0.341 Kg/m
 2575 0.104 Kg/m
 2350 0.330 Kg/m
 3352 0.324 Kg/m



3134 0.203 Kg/m
 1828 0.182 Kg/m
 1843 0.501 Kg/m
 1844 0.386 Kg/m
 1832 0.373 Kg/m

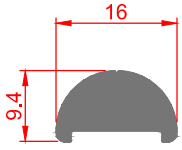


1839 0.311 Kg/m
 1837 0.295 Kg/m
 1838 0.309 Kg/m
 1812 0.368 Kg/m
 1455 0.264 Kg/m

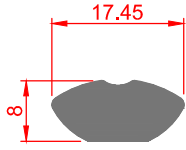


3658 0.240 Kg/m
 2434 0.252 Kg/m
 5185 0.249 Kg/m
 2435 0.365 Kg/m
 1835 0.480 Kg/m
 2815 0.539 Kg/m

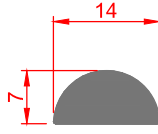
MOBİLYA ve DEKORASYON PROFİLLERİ



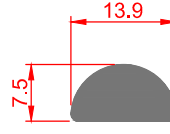
1831
0.285 Kg/m



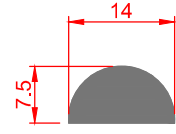
1830
0.291 Kg/m



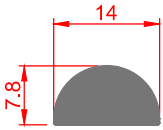
2946
0.208 Kg/m



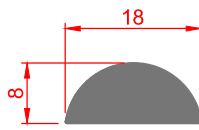
3945
0.225 Kg/m



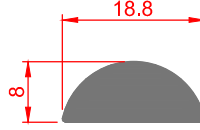
2062
0.227 Kg/m



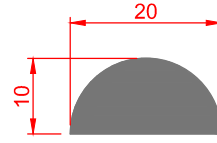
2347
0.238 Kg/m



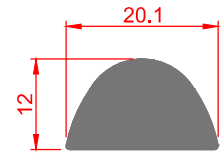
3320
0.297 Kg/m



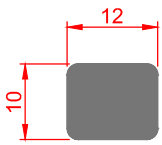
1833
0.309 Kg/m



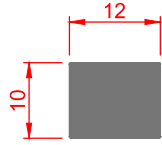
1834
0.424 Kg/m



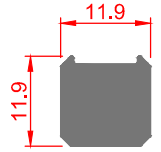
1836
0.489 Kg/m



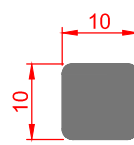
4276
0.319 Kg/m



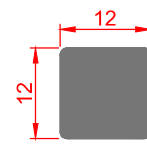
3722
0.324 Kg/m



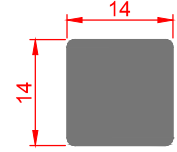
1840
0.351 Kg/m



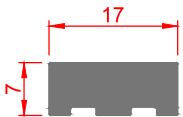
2778
0.266 Kg/m



1841
0.386 Kg/m



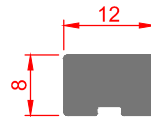
1842
0.527 Kg/m



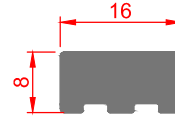
1852
0.301 Kg/m



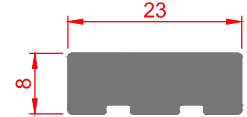
1850
0.487 Kg/m



3143
0.248 Kg/m



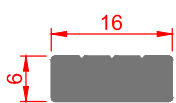
2684
0.324 Kg/m



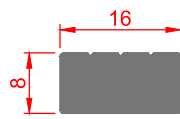
2685
0.475 Kg/m



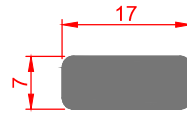
1582
0.315 Kg/m



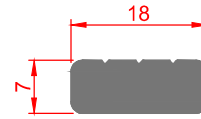
1578
0.257 Kg/m



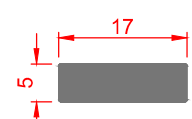
1856
0.344 Kg/m



2959
0.316 Kg/m

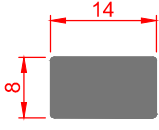


4277
0.333 Kg/m

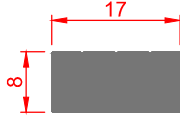


1853
0.229 Kg/m

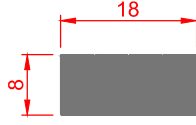
MOBİLYA ve DEKORASYON PROFİLLERİ



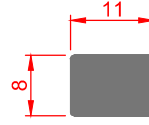
3743
0.302 Kg/m



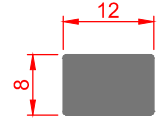
1857
0.366 Kg/m



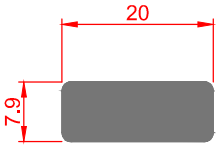
1583
0.388 Kg/m



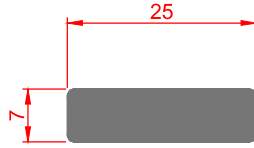
2521
0.237 Kg/m



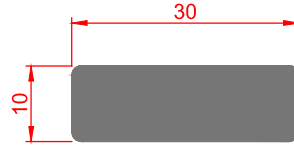
1859
0.259 Kg/m



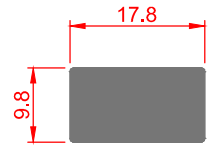
2588
0.423 Kg/m



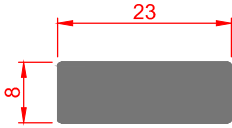
1864
0.470 Kg/m



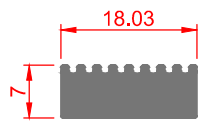
1594
0.806 Kg/m



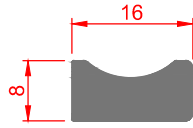
2438
0.470 Kg/m



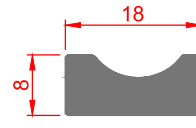
2686
0.496 Kg/m



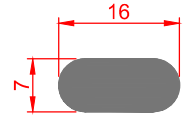
3335
0.316 Kg/m



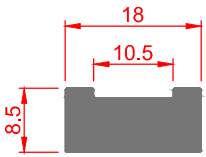
1863
0.294 Kg/m



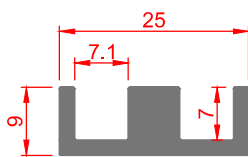
2687
0.321 Kg/m



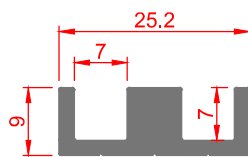
1577
0.274 Kg/m



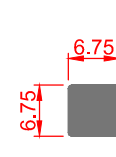
3339
0.376 Kg/m



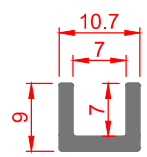
3333
0.339 Kg/m



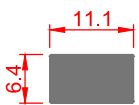
2591
0.347 Kg/m



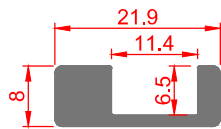
2592
0.123 Kg/m



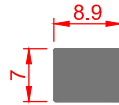
2593
0.127 Kg/m



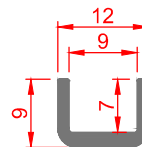
2266
0.192 Kg/m



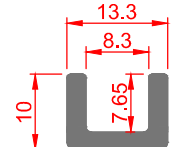
2267
0.271 Kg/m



1571
0.168 Kg/m

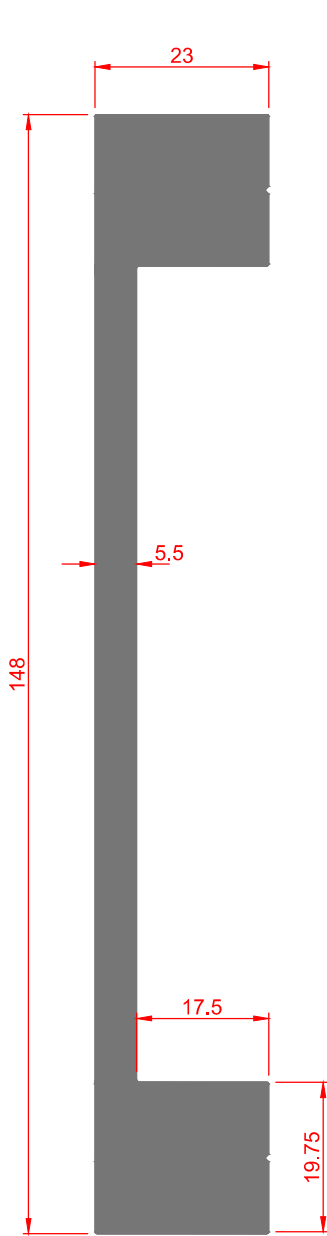


1533
0.114 Kg/m

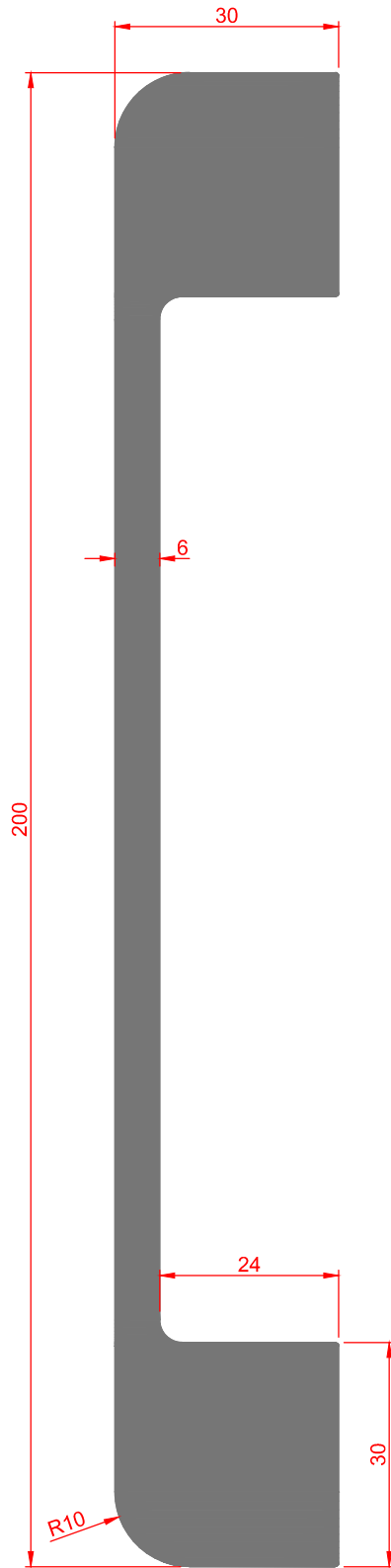


2520
0.186 Kg/m

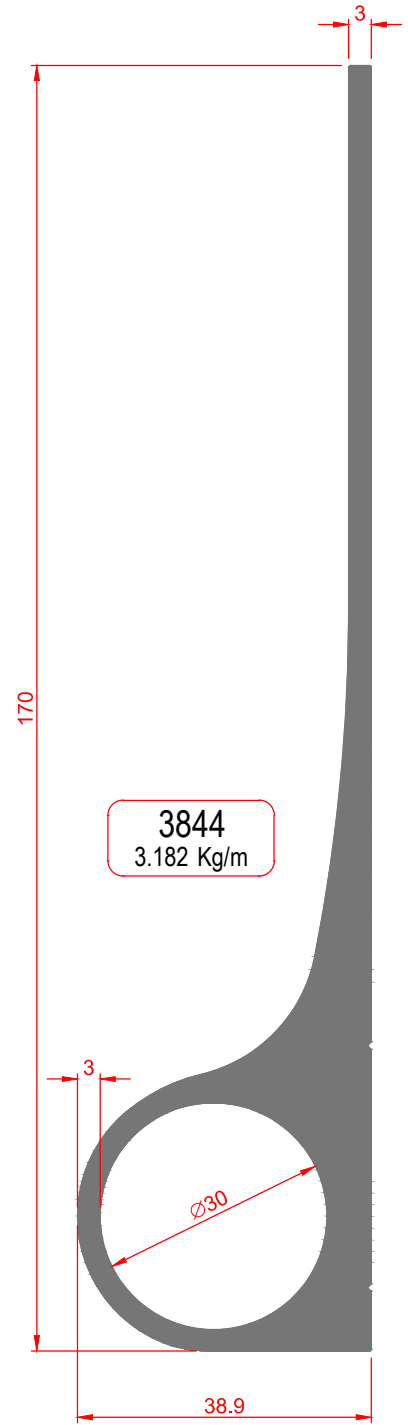
MOBİLYA ve DEKORASYON PROFİLLERİ



3693
4.086 Kg/m

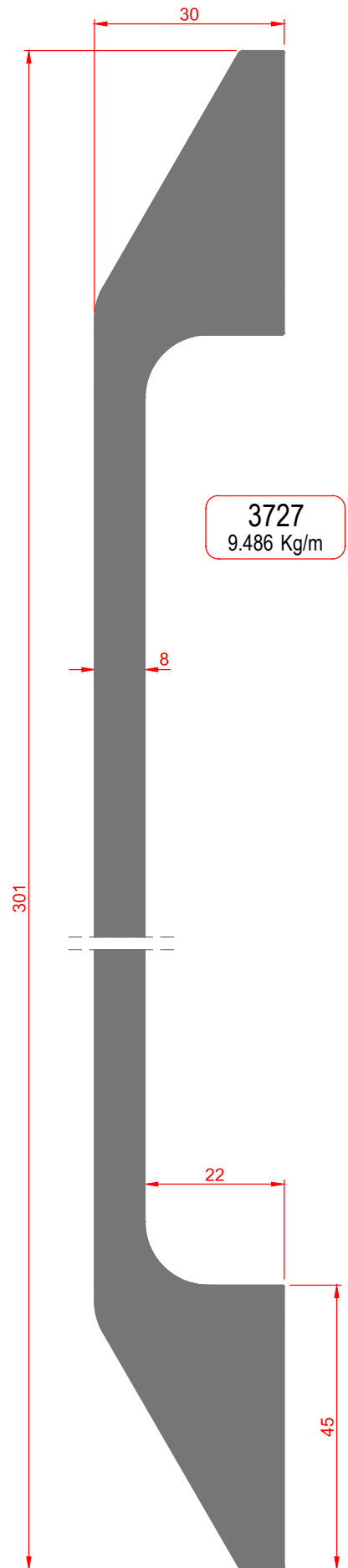
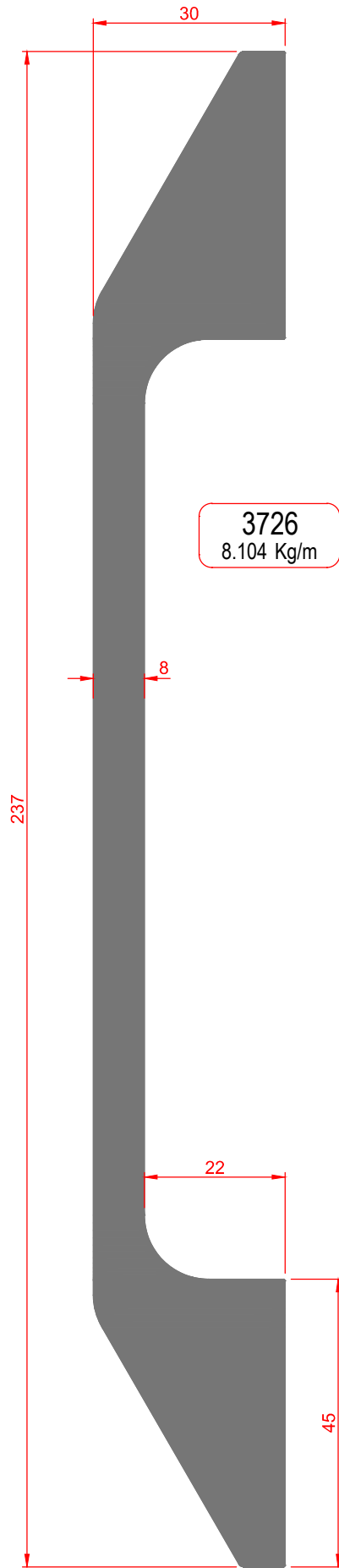
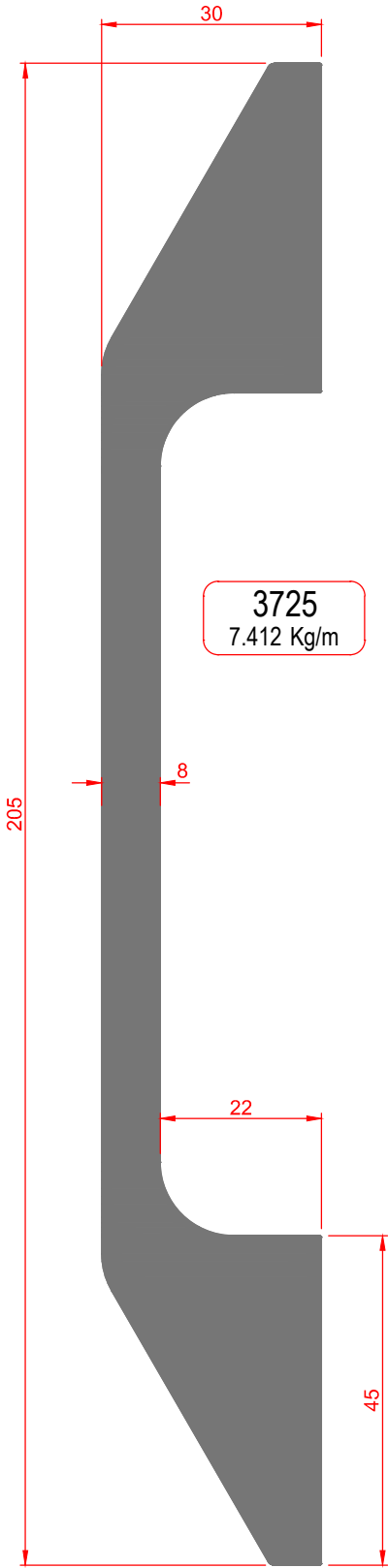


2637
7.022 Kg/m

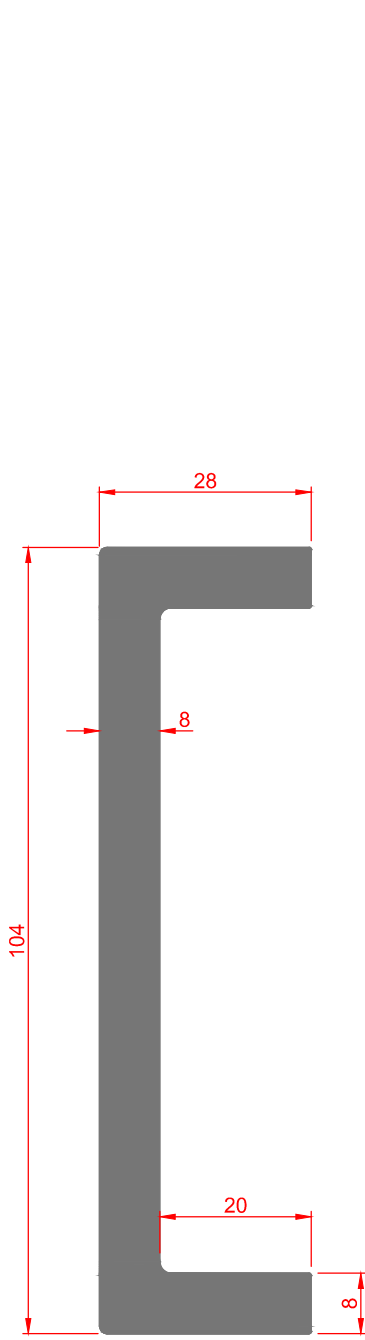


3844
3.182 Kg/m

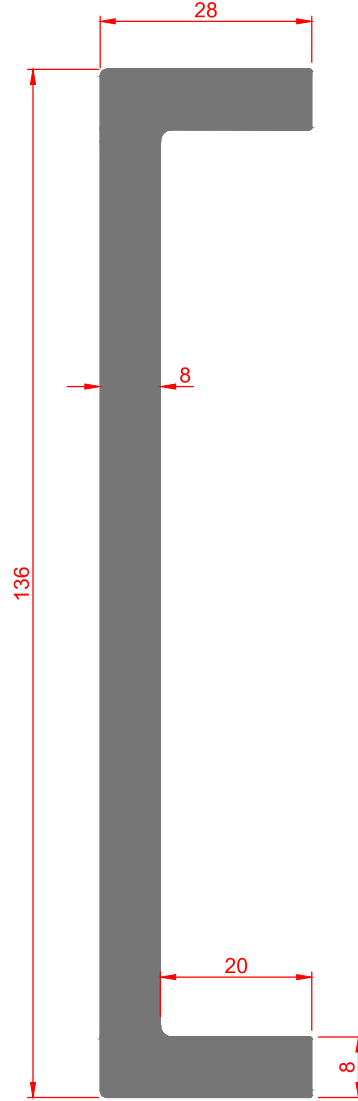
MOBİLYA ve DEKORASYON PROFİLLERİ



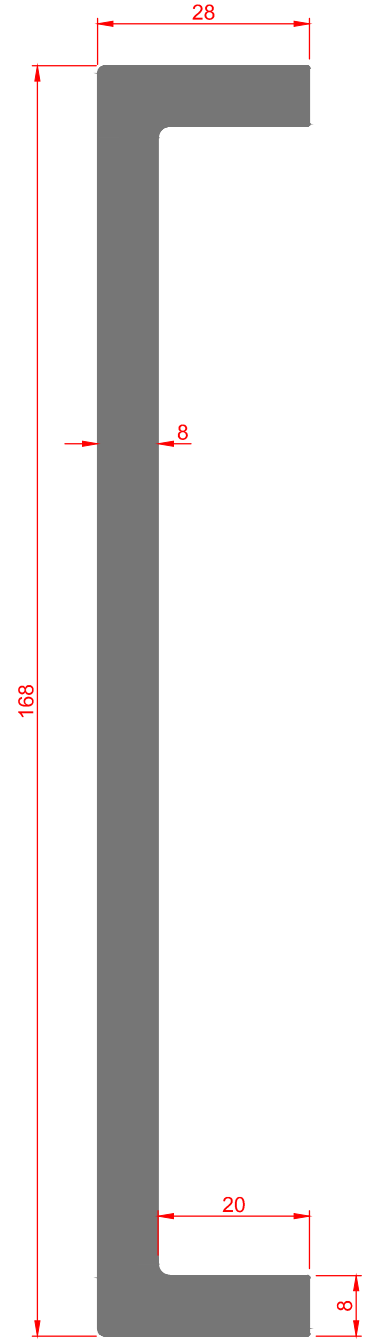
MOBİLYA ve DEKORASYON PROFİLLERİ



5124
3.112 Kg/m

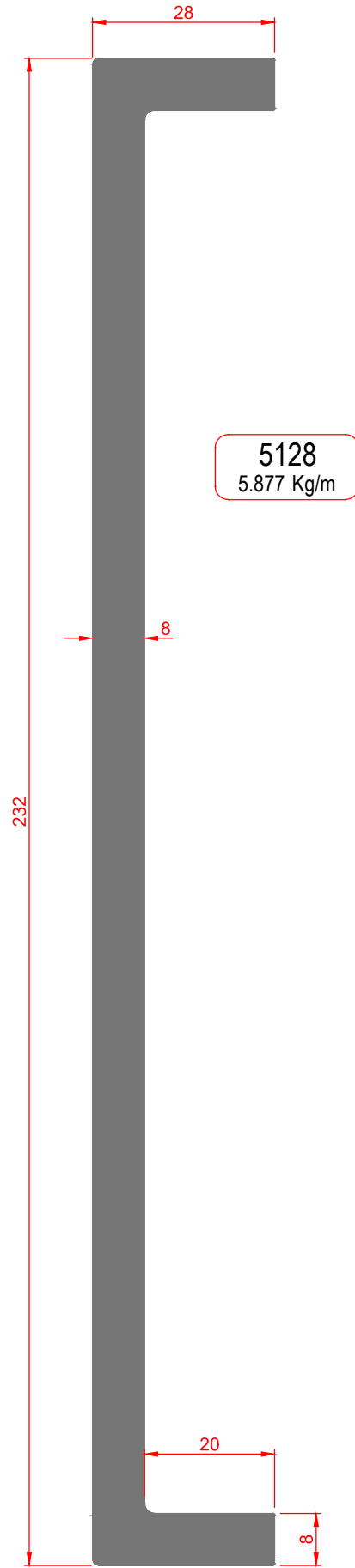
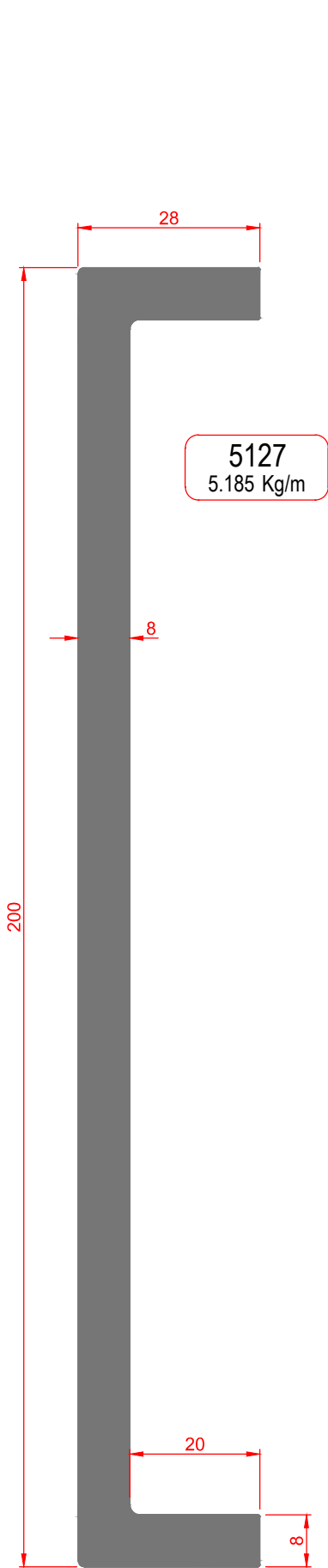


5125
3.803 Kg/m

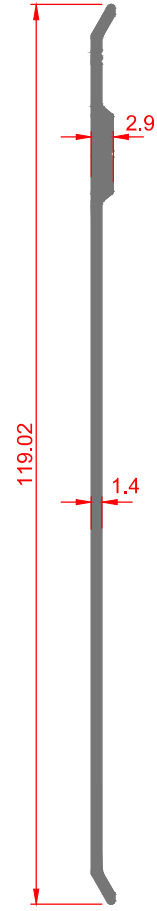
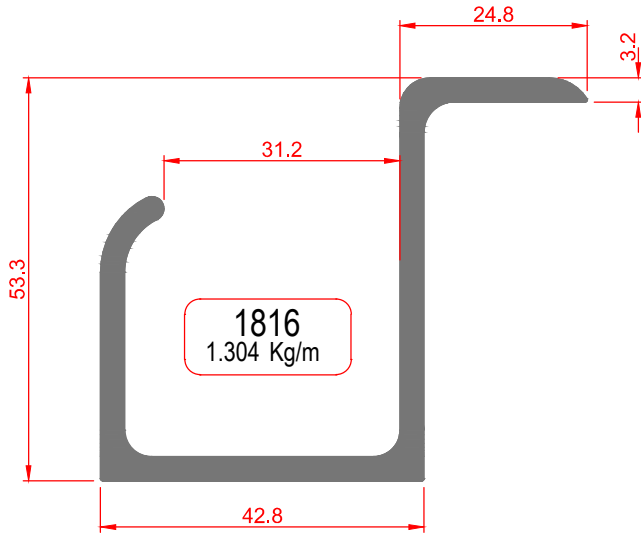


5126
4.494 Kg/m

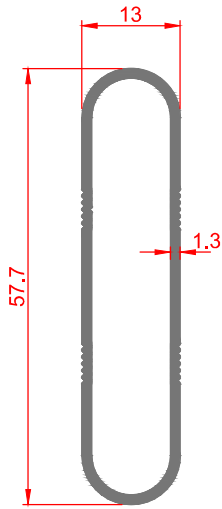
MOBİLYA ve DEKORASYON PROFİLLERİ



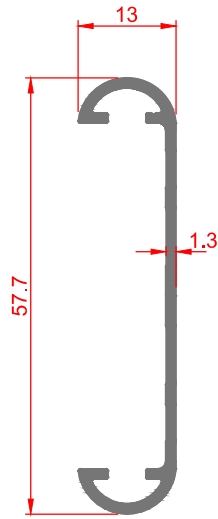
MOBİLYA ve DEKORASYON PROFİLLERİ



3615
0.497 Kg/m



3350
0.435 Kg/m



3351
0.335 Kg/m